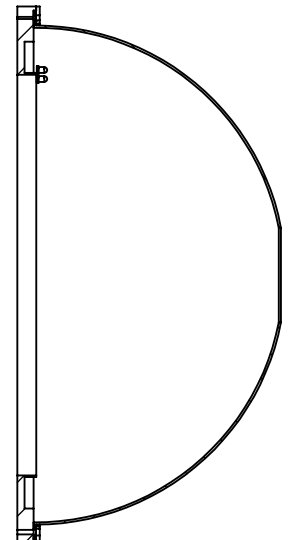
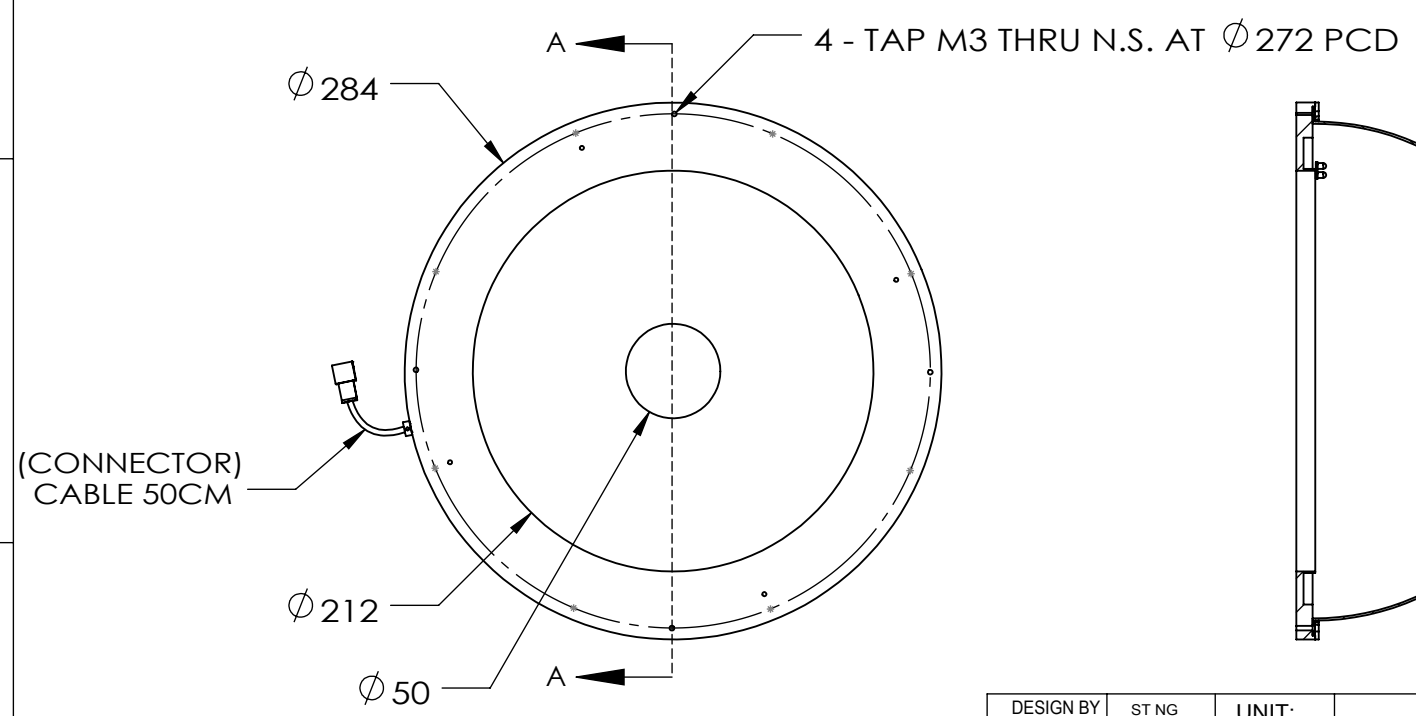
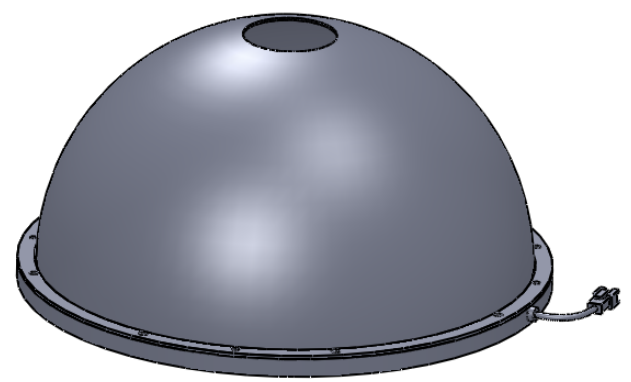
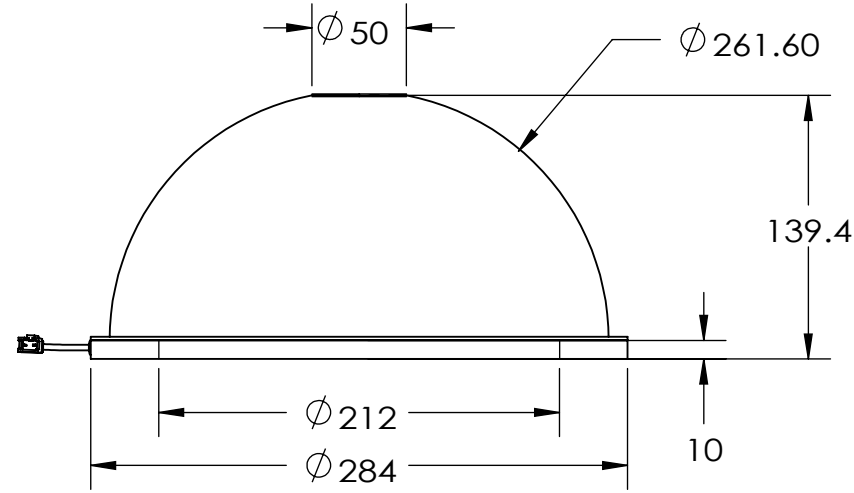


REVISIONS				
ZONE	REV.	DESCRIPTIONS	DATE	APP.



COLOR	WAVE LENGTH
RED:	630nm
GREEN:	525nm
BLUE:	470nm
WHITE:	--
IR 850:	850nm
IR 940:	940nm
UV:	375nm
RGB:	620nm/525nm/470nm



DESIGN BY	ST NG	UNIT:	PRODUCT SERIES: IDS4 SERIES					
CHECK BY	ST NG	MM						
DATE	5/3/2015	REVISION:	TITLE	DRAWING LAYOUT	COLOUR:	-	-	-
MATERIAL	-	01	PART NO	IDS4-00-250-2-X-24V	VOLTAGE:	-	-	-
FINISHING	-	SCALE:	DWG NO	-	CURRENT:	-	-	-
QTY	-	1 : 4				POWER:	-	-
						SHEET 1 OF 1		