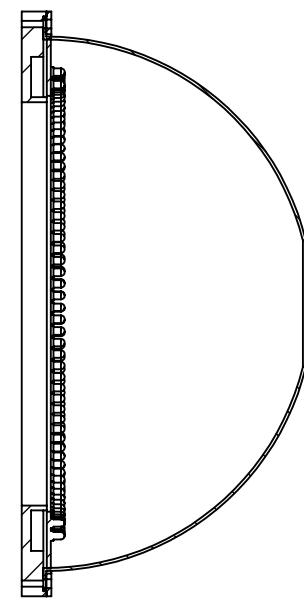
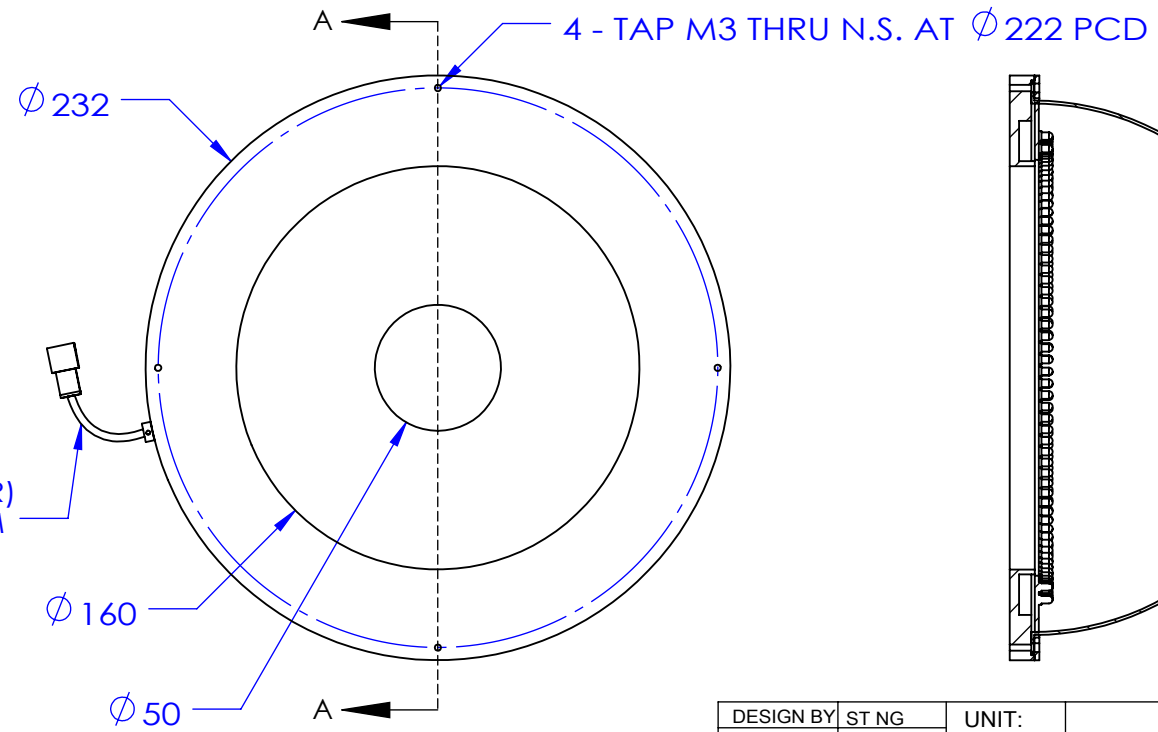
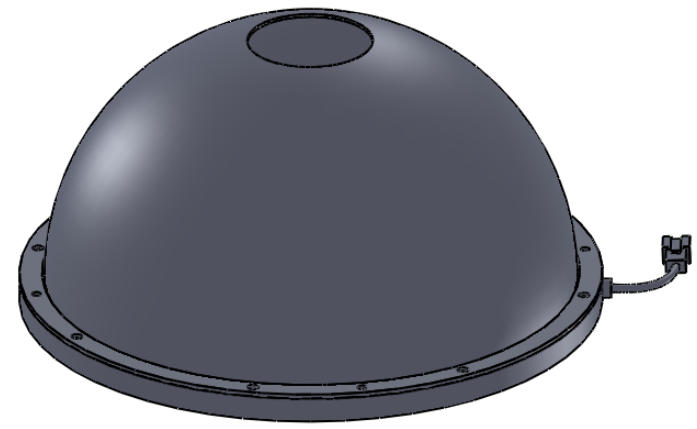
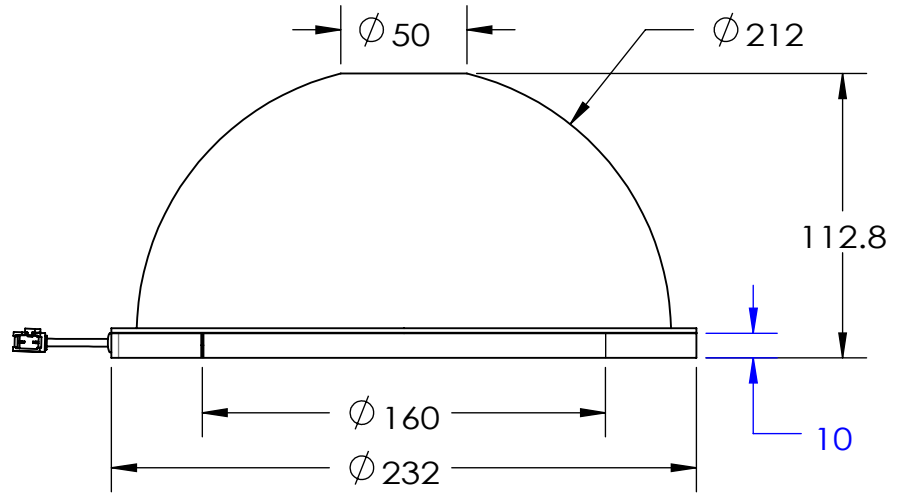


REVISIONS				
ZONE	REV.	DESCRIPTIONS	DATE	APP.



COLOR	WAVE LENGHT
RED:	620nm
GREEN:	525nm
BLUE:	470nm
WHITE:	-
IR 850:	850nm
IR 940:	940nm
UV:	380-385nm
RGB:	620nm/525nm/470nm

DESIGN BY	ST NG	UNIT:	PRODUCT SERIES: IDS4 SERIES					
CHECK BY	ST NG	MM						
DATE	24/11/2014	REVISION:						
MATERIAL	-	01	TITLE	DRAWING LAYOUT	COLOUR:	-	-	-
FINISHING	-	SCALE:	PART NO	IDS4-00-200-2-X-24V	VOLTAGE:	-	-	-
QTY	-	1 : 3	DWG NO	-	CURRENT:	-	-	-
						POWER:	-	-
						SHEET 1 OF 1		

