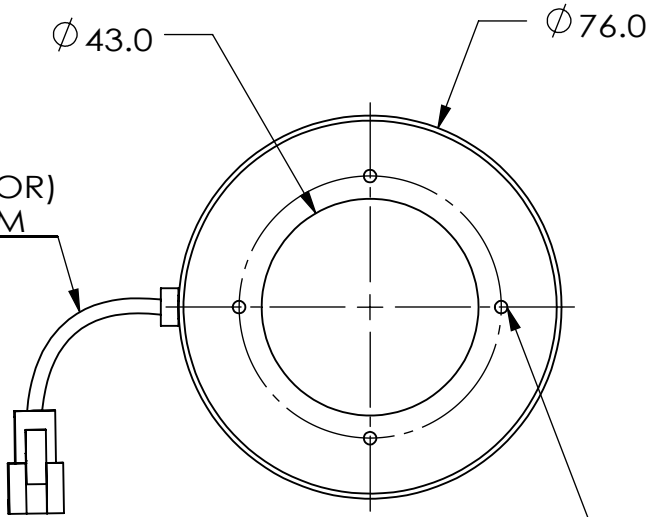


REVISIONS

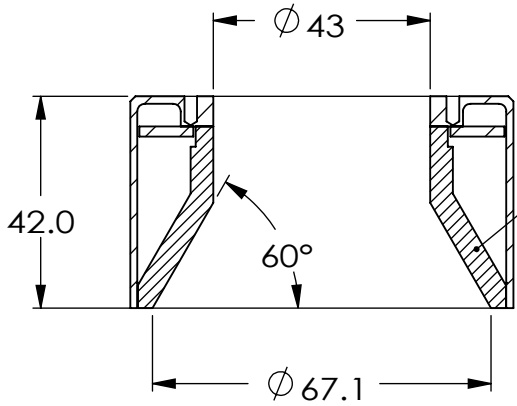
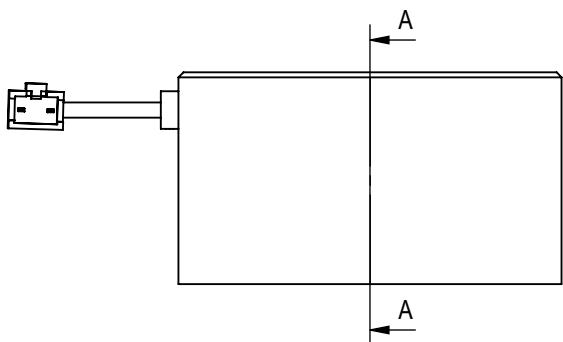
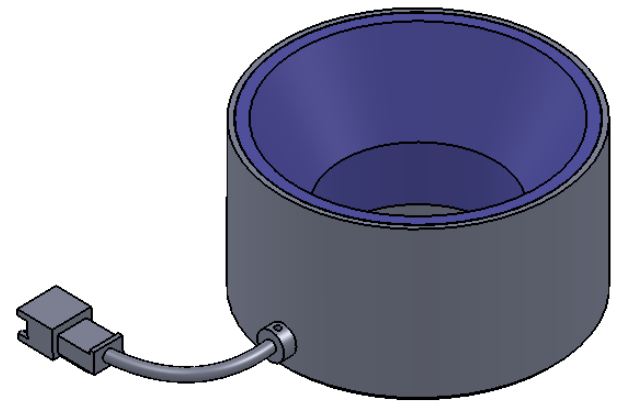
ZONE	REV.	DESCRIPTIONS	DATE	APP.
------	------	--------------	------	------

1 2 3 4 5 6 7 8

(CONNECTOR)
CABLE 50CM



4 - TAP M3 ∇ 5 N.S AT $\phi 52$ PCD



EMITTING SURFACE

COLOR	WAVE LENGTH
RED:	660nm
GREEN:	525nm
BLUE:	470nm
WHITE:	--
IR 850:	850nm
IR 940:	940nm
UV:	380-385nm
RGB:	660nm/525nm/470nm

DESIGN BY	CC OOI	UNIT:	PRODUCT SERIES: DLR SERIES		
CHECK BY	EH-LOH	MM			
DATE	04/12/2012	REVISION:			
MATERIAL	-	01	TITLE	DRAWING LAYOUT	COLOUR: - - -
FINISHING	-	SCALE:	PART NO	DLR2-60-070-2-X-24V	VOLTAGE: - - -
QTY	-	1 : 1.5	DWG NO	-	CURRENT: - - -
					POWER: - - -
					SHEET 1 OF 1



1 2 3 4 5 6 7 8

D
C
B
A

D
C
B
A