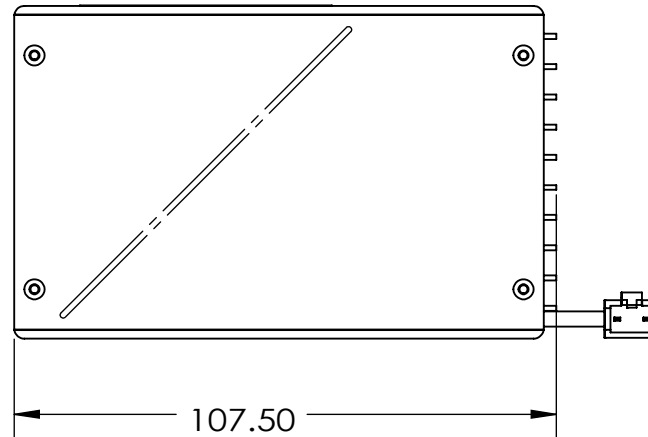
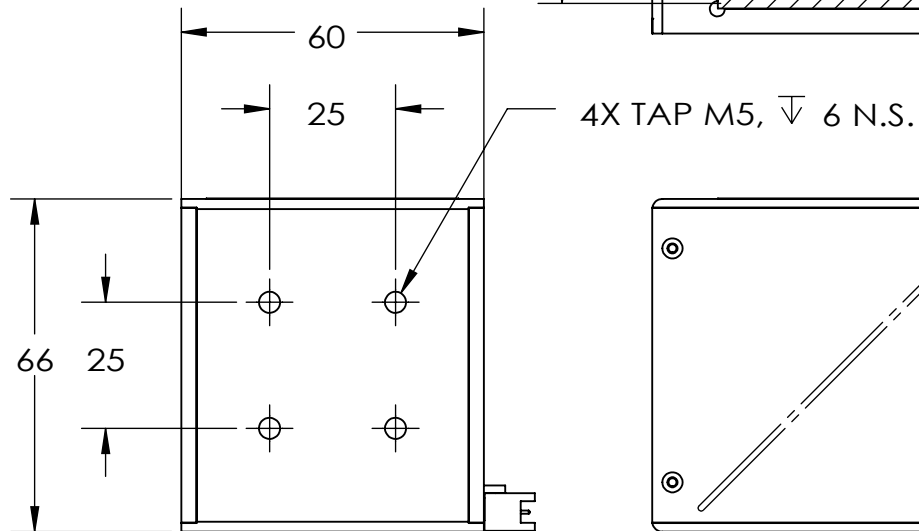
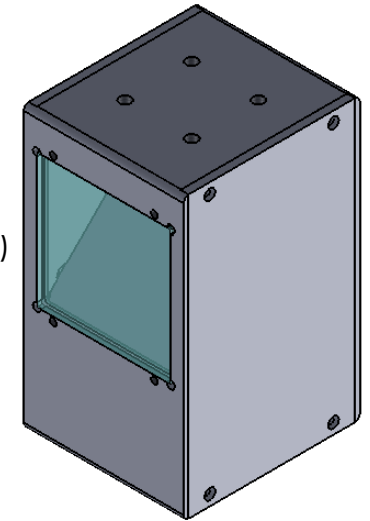
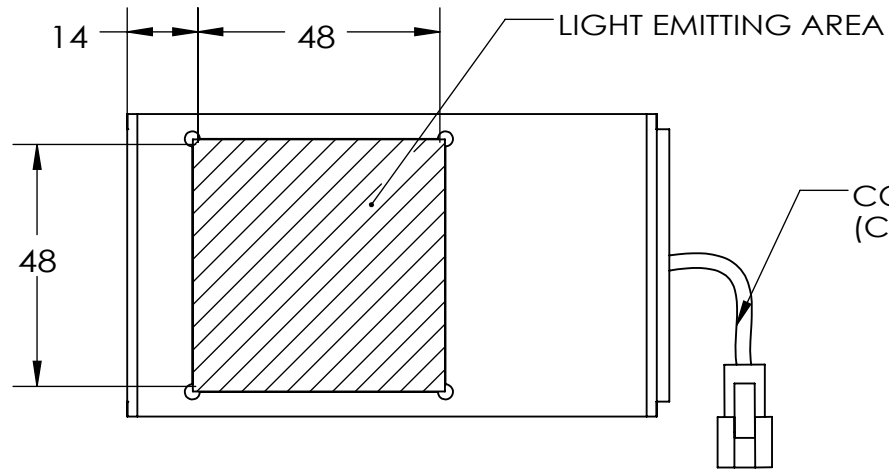


| REVISIONS | | | | |
|-----------|------|--------------|------|------|
| ZONE | REV. | DESCRIPTIONS | DATE | APP. |
| | | | | |



| COLOR | WAVE LENGHT |
|---------|-------------------|
| RED: | 660nm |
| GREEN: | 525nm |
| BLUE: | 470nm |
| WHITE: | - |
| IR 850: | 850nm |
| IR 940: | 940nm |
| UV: | 380-385nm |
| RGB: | 660nm/525nm/470nm |



| | | | | | | | |
|-----------|------------|-----------|-----------------------------|---------------------|----------|--------------|---|
| DESIGN BY | CC OOI | UNIT: | PRODUCT SERIES: CAS2 SERIES | | | | |
| CHECK BY | TH LEE | MM | | | | | |
| DATE | 10/10/2013 | REVISION: | TITLE | DRAWING LAYOUT | COLOUR: | - | - |
| MATERIAL | - | 01 | PART NO | CAS2-00-040-X-X-24V | VOLTAGE: | - | - |
| FINISHING | - | SCALE: | DWG NO | - | CURRENT: | - | - |
| QTY | - | 1:2 | | | POWER: | - | - |
| | | | | | | SHEET 1 OF 1 | |