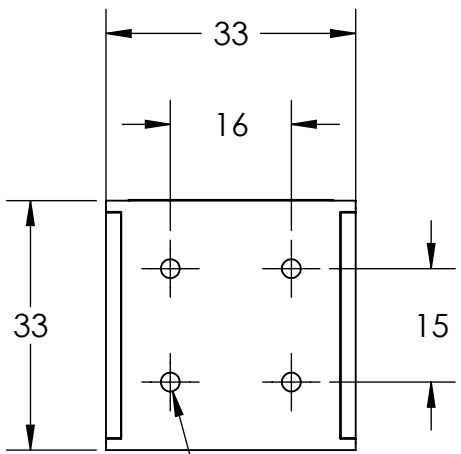
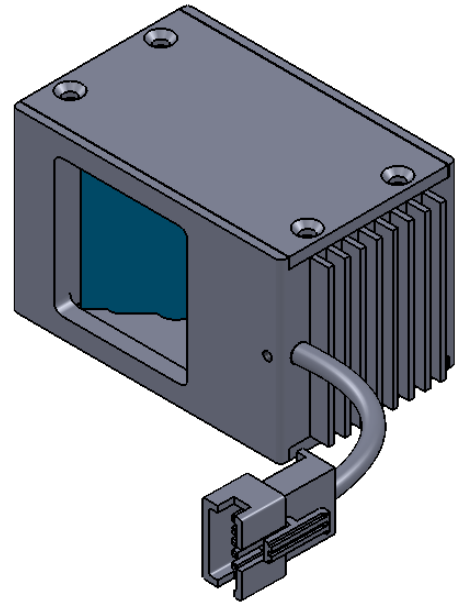
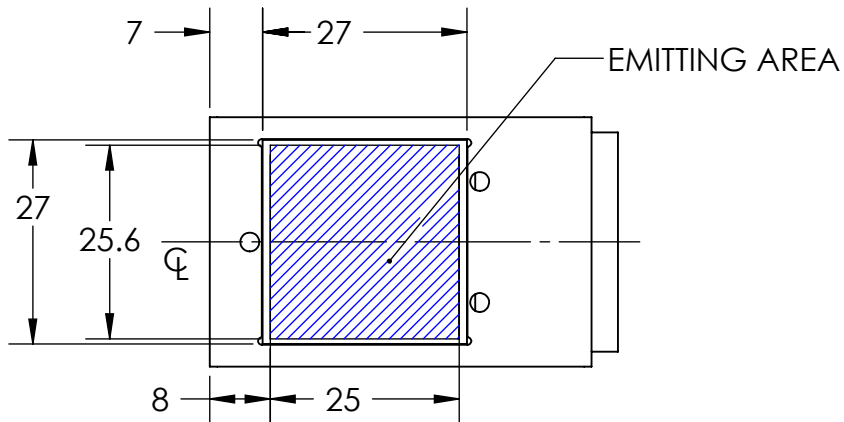
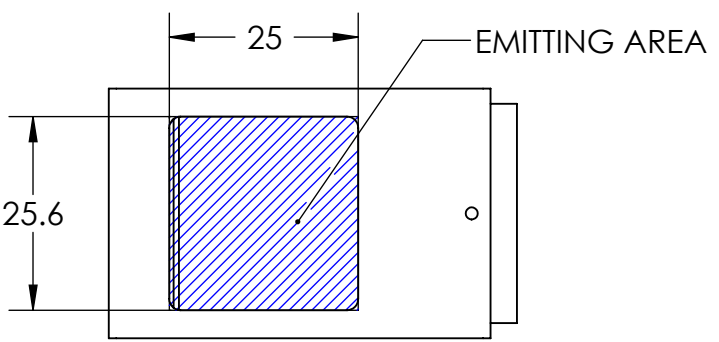
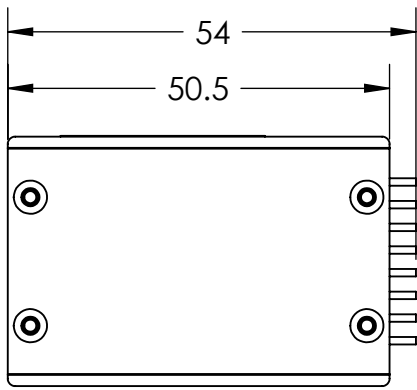


REVISIONS				
ZONE	REV.	DESCRIPTIONS	DATE	APP.



4X TAP M3X0.5 - ∇ 6
NOT THRU



COLOR	WAVE LENGHT
RED:	620nm
GREEN:	525nm
BLUE:	470nm
WHITE:	--
IR 850:	850nm
IR 940:	940nm
UV:	380-385nm
RGB:	620nm/525nm/470nm



DESIGN BY	KB TAN
CHECK BY	KB TAN
DATE	31/12/2014
MATERIAL	-
FINISHING	-
QTY	1

UNIT:	MM
REVISION:	02
SCALE:	1:1

PRODUCT SERIES: CAS2 SERIES		
TITLE	DRAWING LAYOUT	COLOUR: - -
PART NO	CAS2-00-025-X-X-24V	VOLTAGE: - -
DWG NO	-	CURRENT: - -
		POWER: - -
		SHEET 1 OF 1