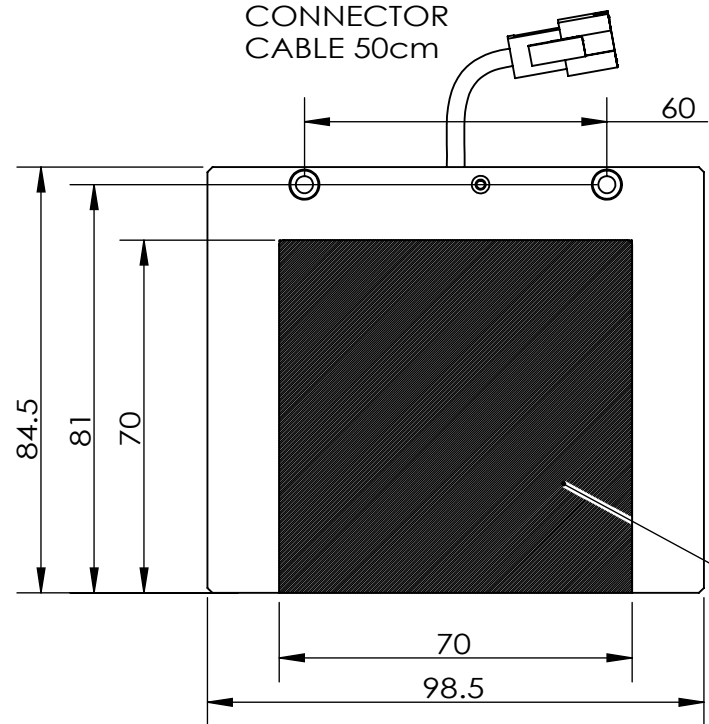
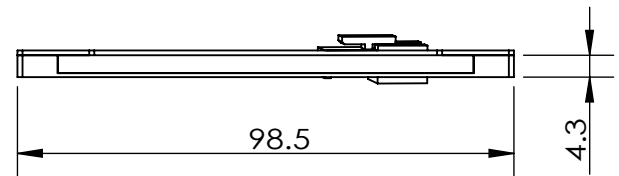
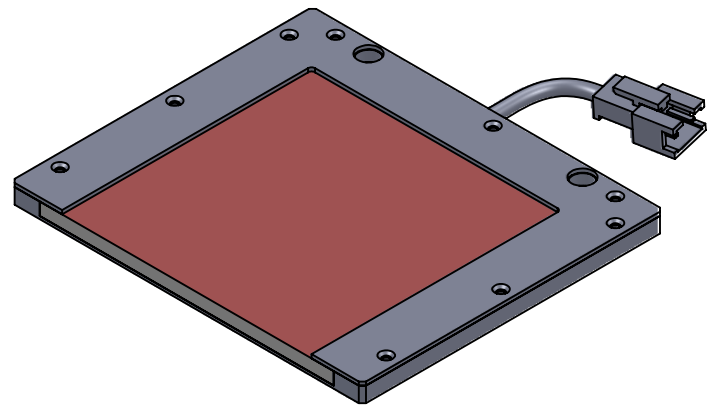


| REVISIONS | | | | |
|-----------|------|--------------|------|------|
| ZONE | REV. | DESCRIPTIONS | DATE | APP. |

CONNECTOR
CABLE 50cm



EMITTING AREA



| COLOR | WAVE LENGHT |
|---------|-------------------|
| RED: | 660nm |
| GREEN: | 525nm |
| BLUE: | 470nm |
| WHITE: | - |
| IR 850: | 850nm |
| IR 940: | 940nm |
| UV: | 380-385nm |
| RGB: | 660nm/525nm/470nm |



| | | | |
|-----------|------------|-----------|-------|
| DESIGN BY | DS CHAN | UNIT: | MM |
| CHECK BY | DS CHAN | REVISION: | |
| DATE | 21/02/2014 | 01 | |
| MATERIAL | - | SCALE: | 2 : 3 |
| FINISHING | - | | |
| QTY | - | | |

PRODUCT SERIES: BHDS SERIES

| | | | | |
|---------|------------------------------|----------|--------------|---|
| TITLE | DRAWING LAYOUT | COLOUR: | - | - |
| PART NO | BHDS-00-070-1-X-24V (REV 01) | VOLTAGE: | - | - |
| DWG NO | - | CURRENT: | - | - |
| | | POWER: | - | - |
| | | | SHEET 1 OF 1 | |