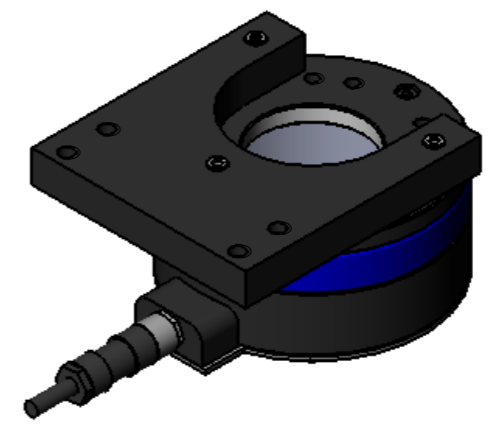
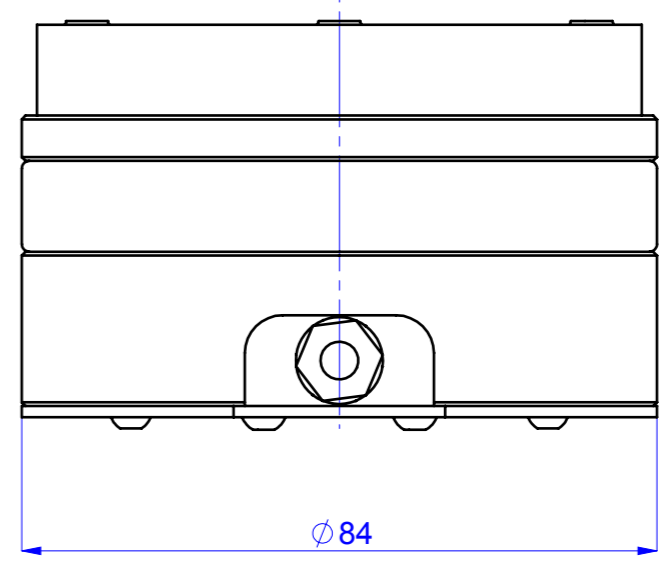


| 5 | 6 | 7 | 8 |
|---------|-------------|------|------|
| Rev No. | Description | Date | Name |
| | | | |
| | | | |



| | | | | | |
|--|----------|--|-------------|---|---------------|
| Material | N.A. | Mass | 0.4 kg | Scale | 1:1 |
| Surface treatment | N.A. | Part No. | - | Description | |
| Geometrical tolerance (ISO 2768-2) | | Class | K | Undimensioned bevels | 0.5x45° |
| Linear tolerance (ISO 2768-2) | | Class | m | Undimensioned radii | R 0.5 |
| 0.5 ±3 | >3± 6 | >6± 30 | >30± 120 | >120 ±400 | >400± 1000 |
| ±0.1 | ±0.1 | ±0.2 | ±0.3 | ±0.5 | ±0.8 |
| | | | | | ±1.2 |
| | | | | | ±2 |
| | | Date | Name | Drawing No. | Sheet |
| | | Designed | 23/06/2014 | - | 2/2 |
| | | Drawn | 23/06/2014 | - | |
| | | Checked | 23/06/2014 | - | |
| OPTO ENGINEERING S.r.l. - Mantova Italy - Tel. +39 0376 699111 - www.opto-engineering.com | | Date: 23/06/2014 Name: - Drawing No.: 1055-0016B Sheet: 2/2 | | <i>Secret and confidential - All rights reserved - No copy, dissemination or circulation is allowed unless specifically authorized in writing by OPTO ENGINEERING S.r.l. - Any violation shall be legally prosecuted.</i> | |