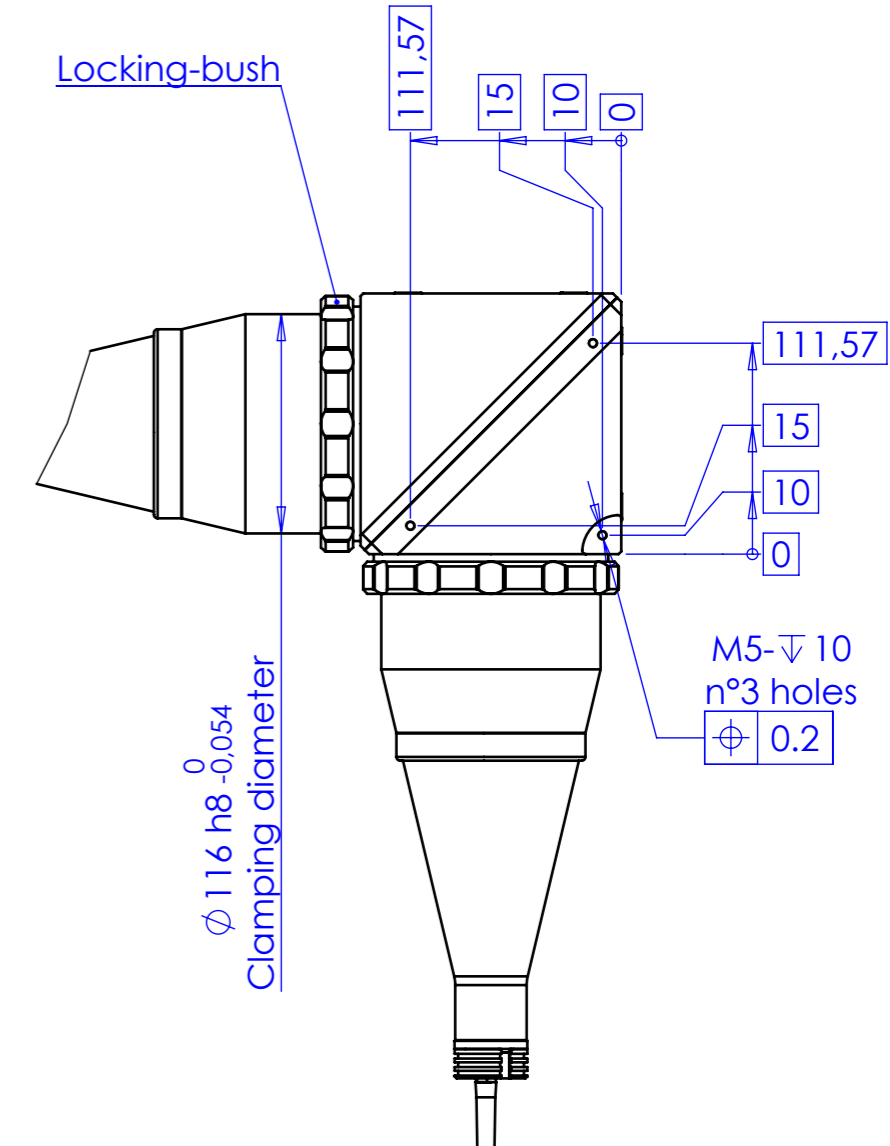
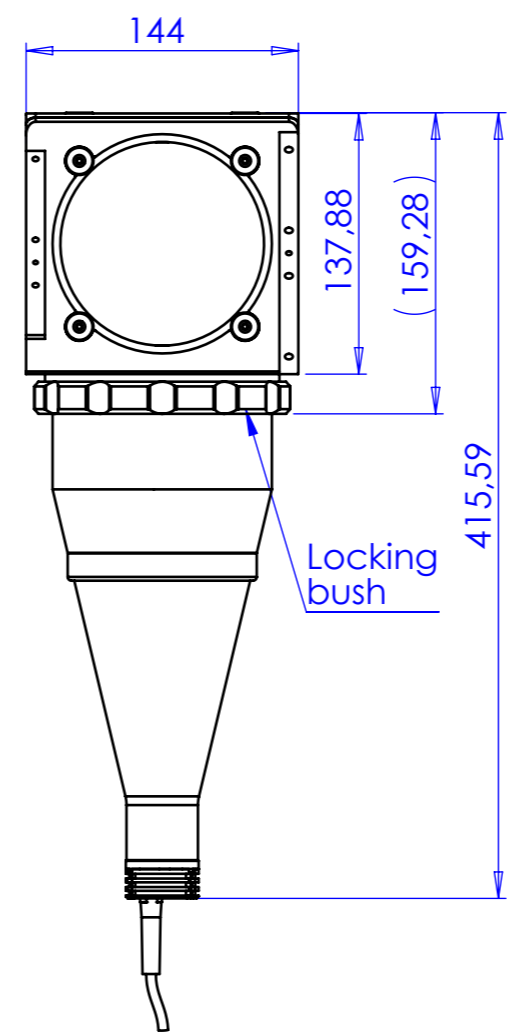
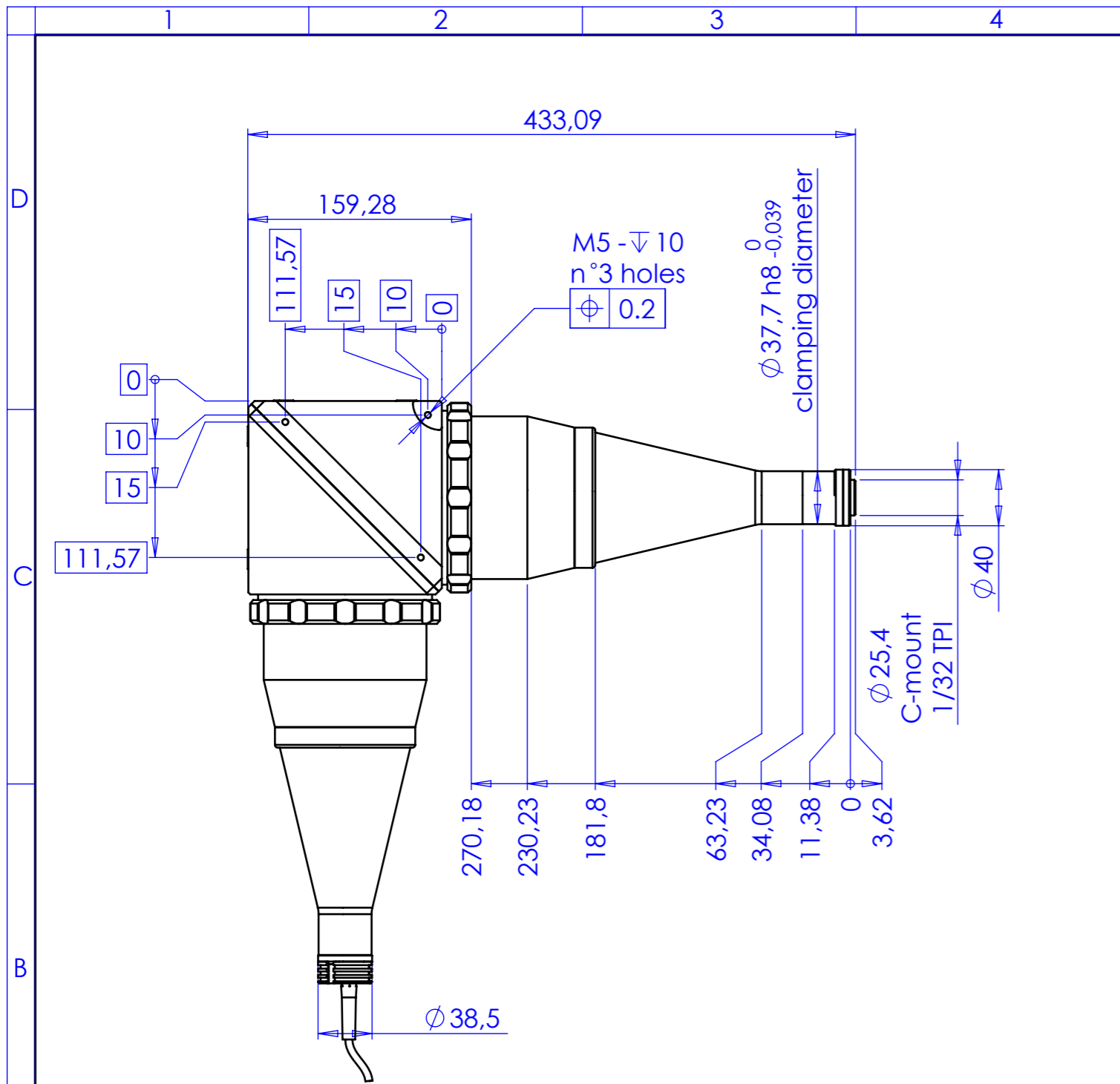


Rev No.	Description	Date	Name
B	approvazione	15/07/2014	Rodella



Material	N.A.		Mass	2389 g	Scale	1:4
Surface treatment	N.A.		Part No.	CO71664		
Geometrical tolerance (ISO 2768-2)			Class	K	Description	
Linear tolerance (ISO 2768-2)			Class	m	Undimensioned bevels	0.5x45°
0.5	>3	>6	>30	>120	>400	>1000
±3	±6	±30	±120	±400	±1000	±2000
±0.1	±0.1	±0.2	±0.3	±0.5	±0.8	±1.2
			Class	K	Undimensioned radii	R 0.5
			Class	m		
			Class	m		
			Date	Name	Drawing No.	
			Designed	03/07/2014	Rodella	DP 71664-B
			Drawn	04/07/2014	Rodella	
			Checked			
			Sheet		1/1	
<p>Secret and confidential - All rights reserved - No copy, dissemination or circulation is allowed unless specifically authorized in writing by OPTO ENGINEERING S.r.l. - Any violation shall be legally prosecuted.</p>						

all dimensions are in mm



OPTO ENGINEERING S.r.l. - Mantova Italy - Tel. +39 0376 699111 - www.opto-engineering.com