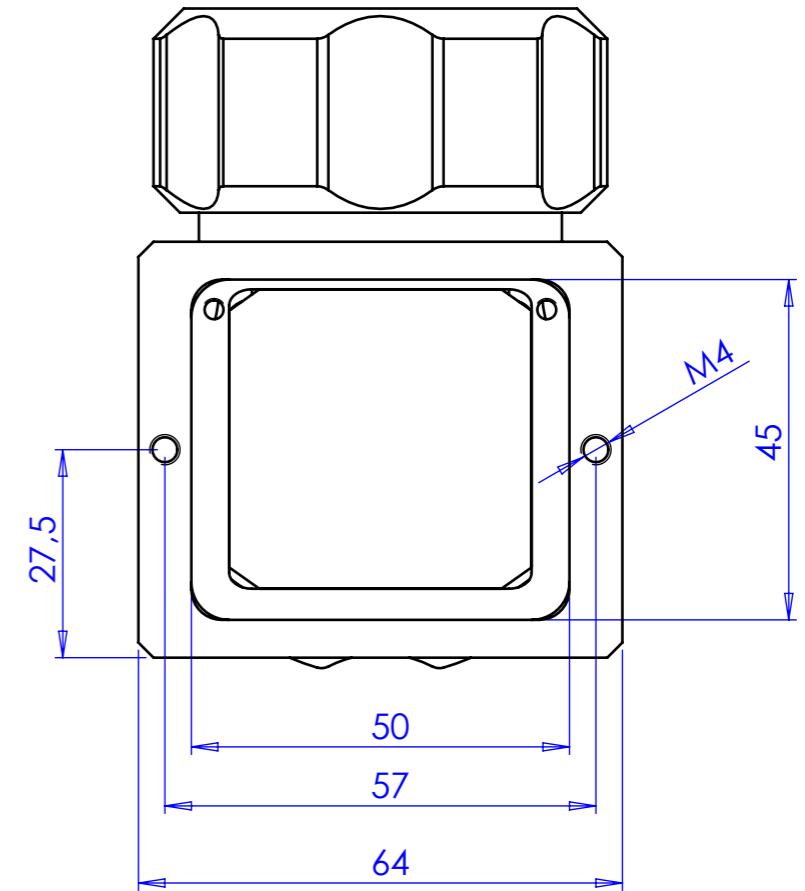
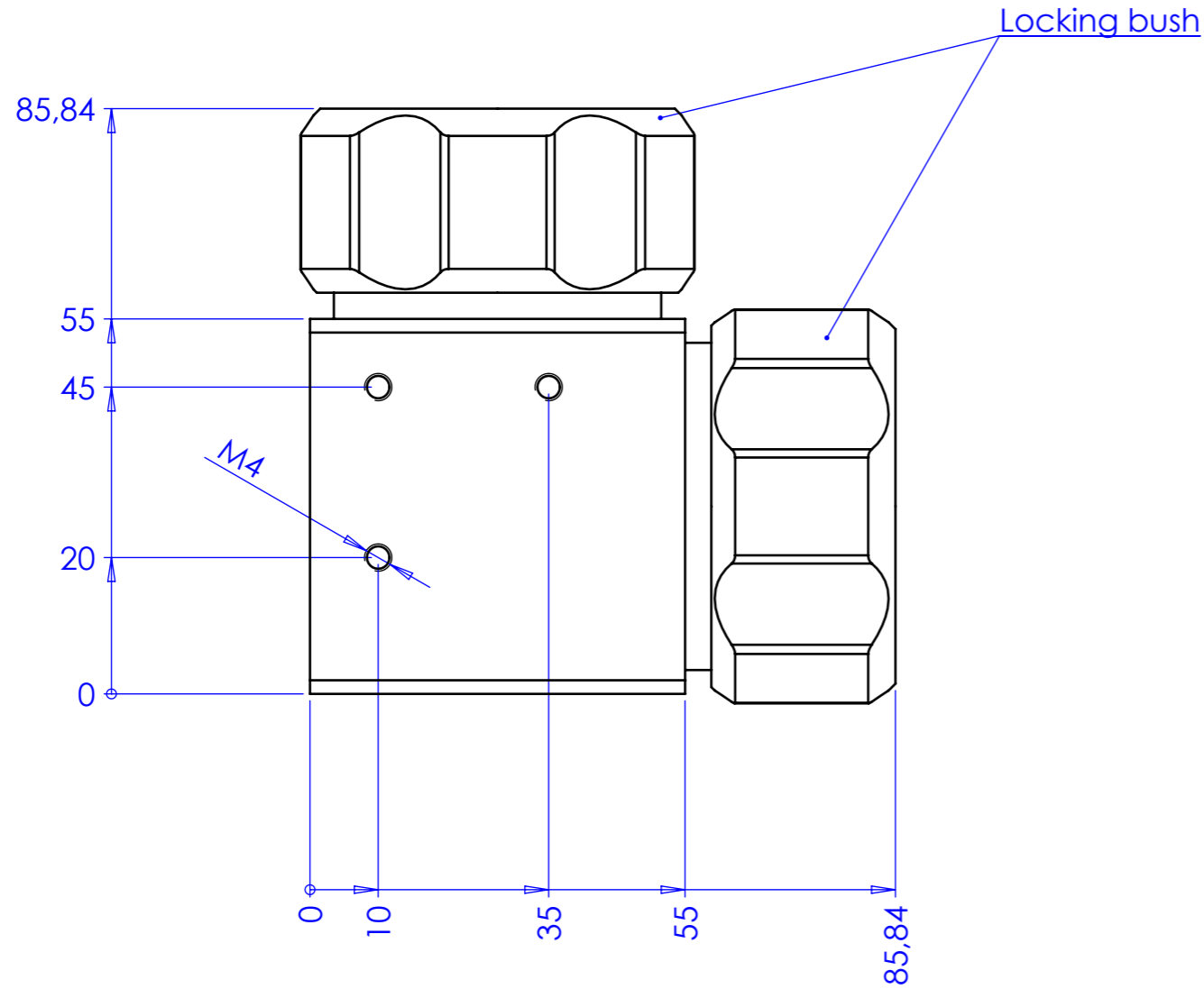


1 2 3 4 5 6 7 8

Rev No.	Description	Date	Name



D  
C  
B  
A

D  
C  
B  
A

Material		N.A.		Mass		494 g		Scale		1:1			
Surface treatment				Part No.		CO71652							
Geometrical tolerance (ISO 2768-2)								Class		K		Description	
Linear tolerance (ISO 2768-2)								Class		m		Undimensioned bevels	
												0.5x45°	
												Undimensioned radii	
												R 0.5	
												Drawing No.	
												DP 71652-A	
								Date		Name		Sheet	
								10/06/2014		LSantini		1/1	
								17/09/2014		Rodella			
<p>all dimensions are in mm</p> <p><b>OPTO ENGINEERING</b> THE TELECENTRIC COMPANY</p> <p><b>OPTO ENGINEERING S.r.l. - Mantova Italy - Tel. +39 0376 699111 - www.opto-engineering.com</b></p>													
<p>Secret and confidential - All rights reserved - No copy, dissemination or circulation is allowed unless specifically authorized in writing by OPTO ENGINEERING S.r.l. - Any violation shall be legally prosecuted.</p>													

1 2 3 4 5 6 7 8

0 1 2 3 4 5 6 7 8 9 10