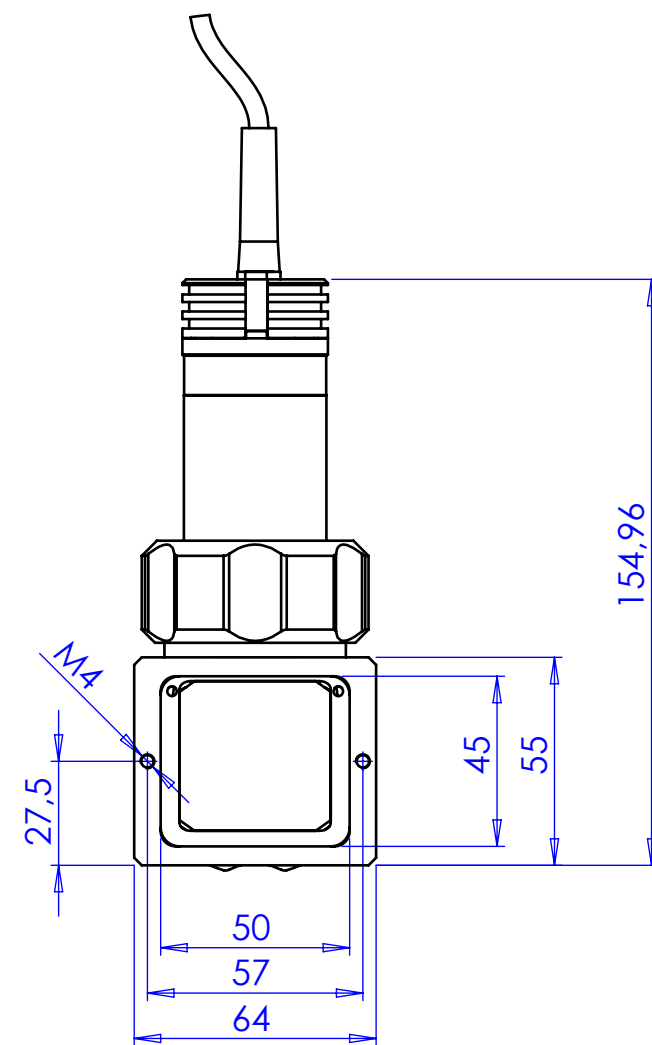
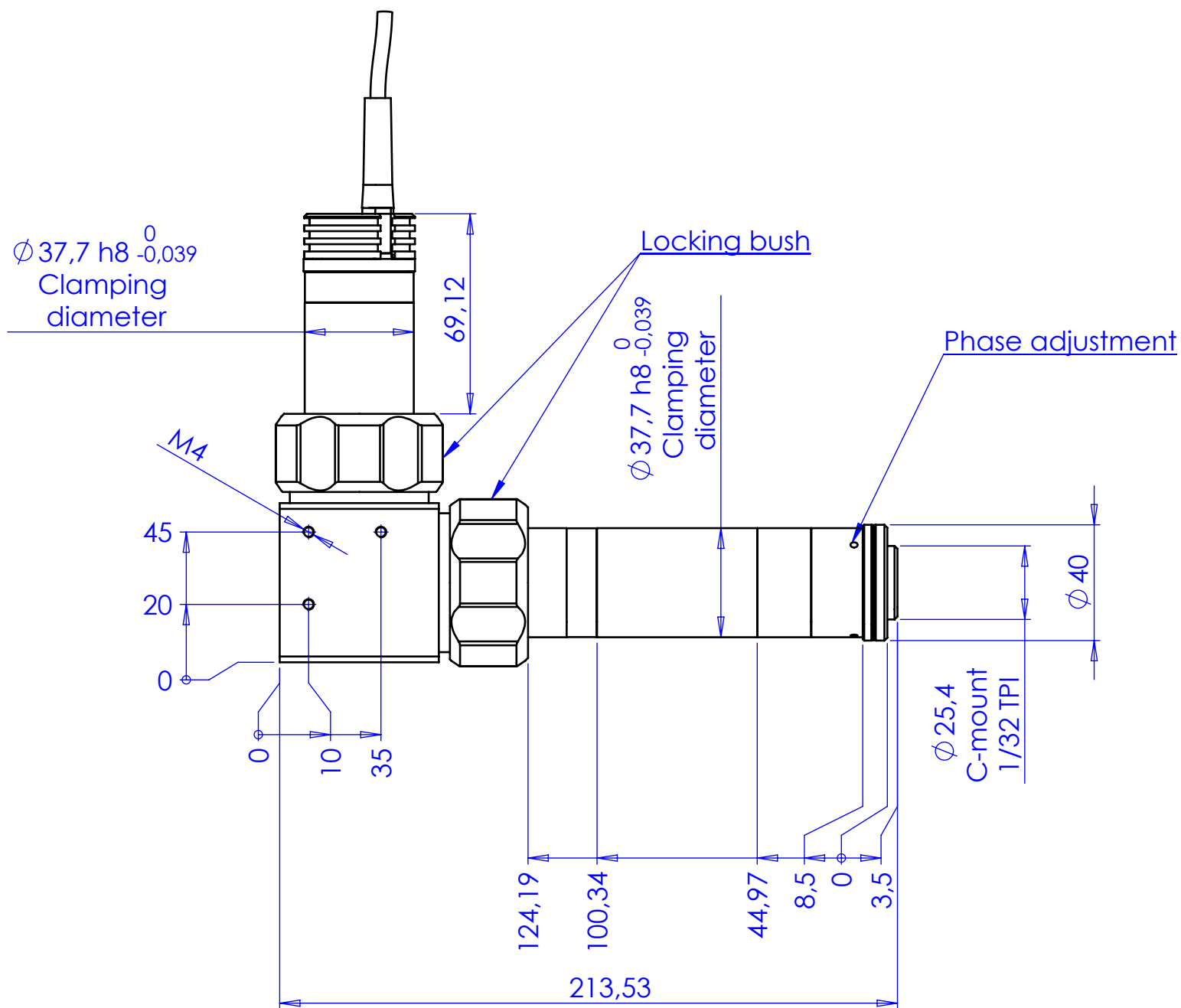


Rev No.	Description	Date	Name
B	approvazione	15/07/2014	Rodella



Material		N.A.		Mass		1050 g		Scale		1:2	
Surface treatment		N.A.		Part No.		CO71595					
Geometrical tolerance (ISO 2768-2)								Class		K	
Linear tolerance (ISO 2768-2)								Class		m	
0.5	>3±	>6±	>30±	>120	>400±	>1000	>2000	Undimensioned bevels		0.5x45°	
±3	6	30	120	±400	1000	±2000	±4000	Undimensioned radii		R 0.5	
±0.1	±0.1	±0.2	±0.3	±0.5	±0.8	±1.2	±2	Description			
								TCCXQ075-G			
				Date		Name		Drawing No.		Sheet	
				03/07/2014		Rodella		DP 71595-B		1/1	
				03/07/2014		Rodella		Secret and confidential - All rights reserved - No copy, dissemination or circulation is allowed unless specifically authorized in writing by OPTO ENGINEERING S.r.l. - Any violation shall be legally prosecuted.			
OPTO ENGINEERING S.r.l. - Mantova Italy - Tel. +39 0376 699111 - www.opto-engineering.com											

all dimensions are in mm

D
C
B
A

D
C
B
A

1 2 3 4 5 6 7 8

0 1 2 3 4 5 6 7 8 9 10