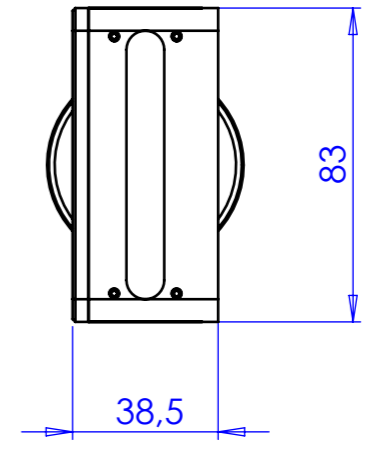
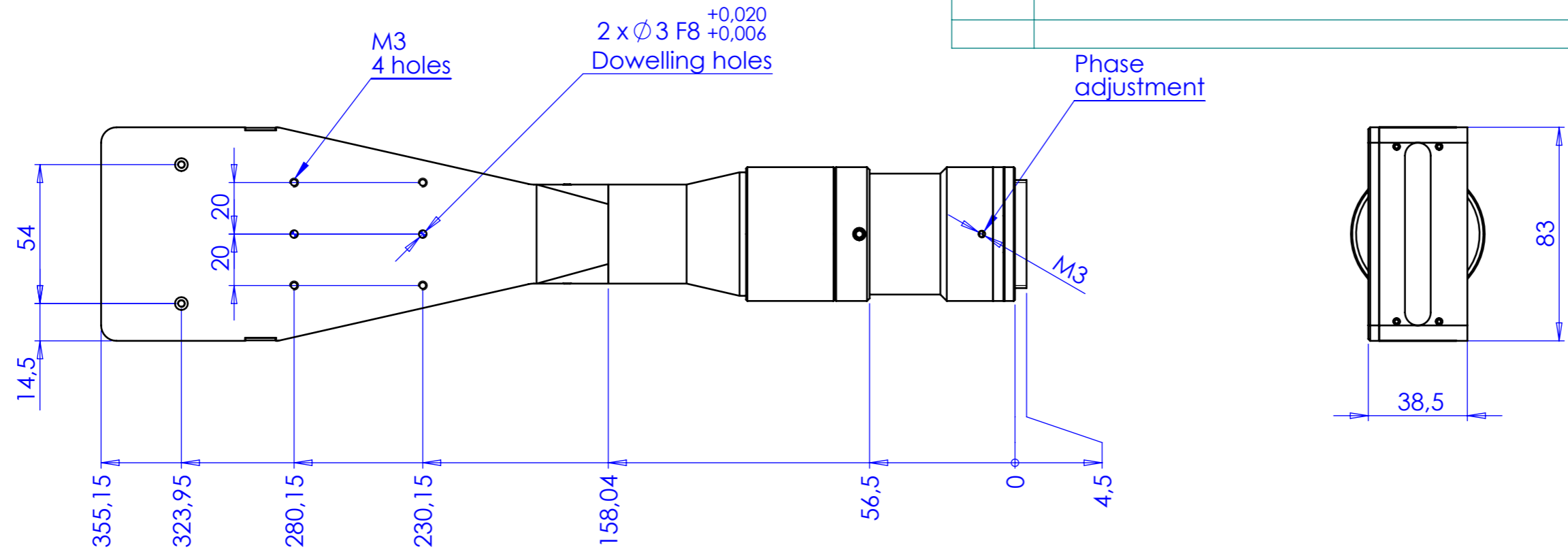


Rev No.	Description	Date	Name



Material	N.A.		Mass	1429.3 g	Scale	1:2	
Surface treatment	N.A.		Part No.	CO71525			
Geometrical tolerance (ISO 2768-2)			Class	K	Description		
Linear tolerance (ISO 2768-2)			Class	m	Undimensioned bevels	0.5x45°	
0.5	>3	>6	>30	>120	>400	>1000	
±3	±6	±30	±120	±400	±1000	±2000	
±0.1	±0.1	±0.2	±0.3	±0.5	±0.8	±1.2	
			Class	m	Undimensioned radii	R 0.5	
			Class	m	Description		
			Class	m	TC4K060-N		
 OPTO ENGINEERING S.r.l. - Mantova Italy - Tel. +39 0376 699111 - www.opto-engineering.com			Date	Name	Drawing No.	Sheet	
			Designed	16/04/2014	Santini	DP 71525-A	1/1
			Drawn	23/05/2014	Rodella		
			Checked		Secret and confidential - All rights reserved - No copy, dissemination or circulation is allowed unless specifically authorized in writing by OPTO ENGINEERING S.r.l. - Any violation shall be legally prosecuted.		