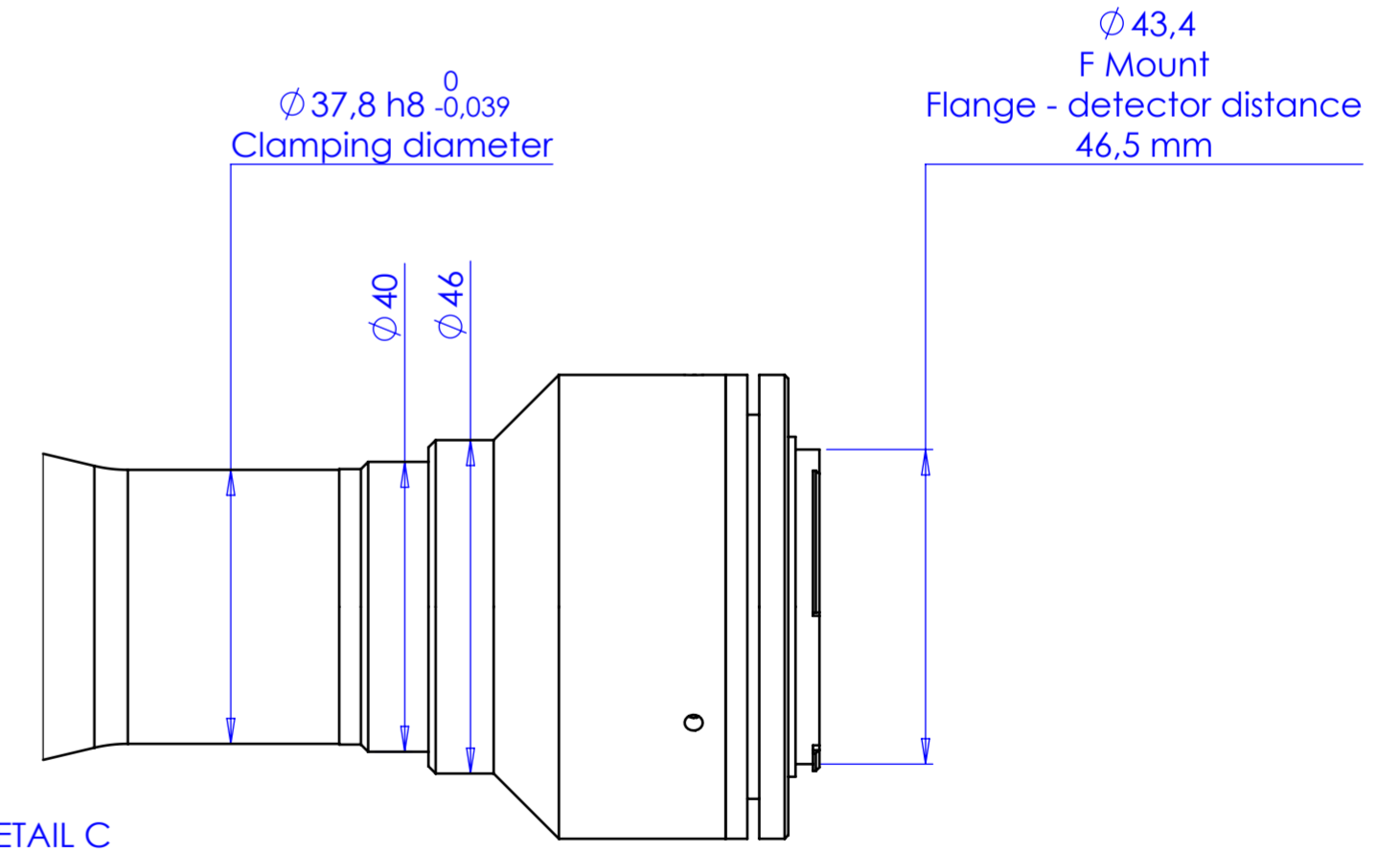
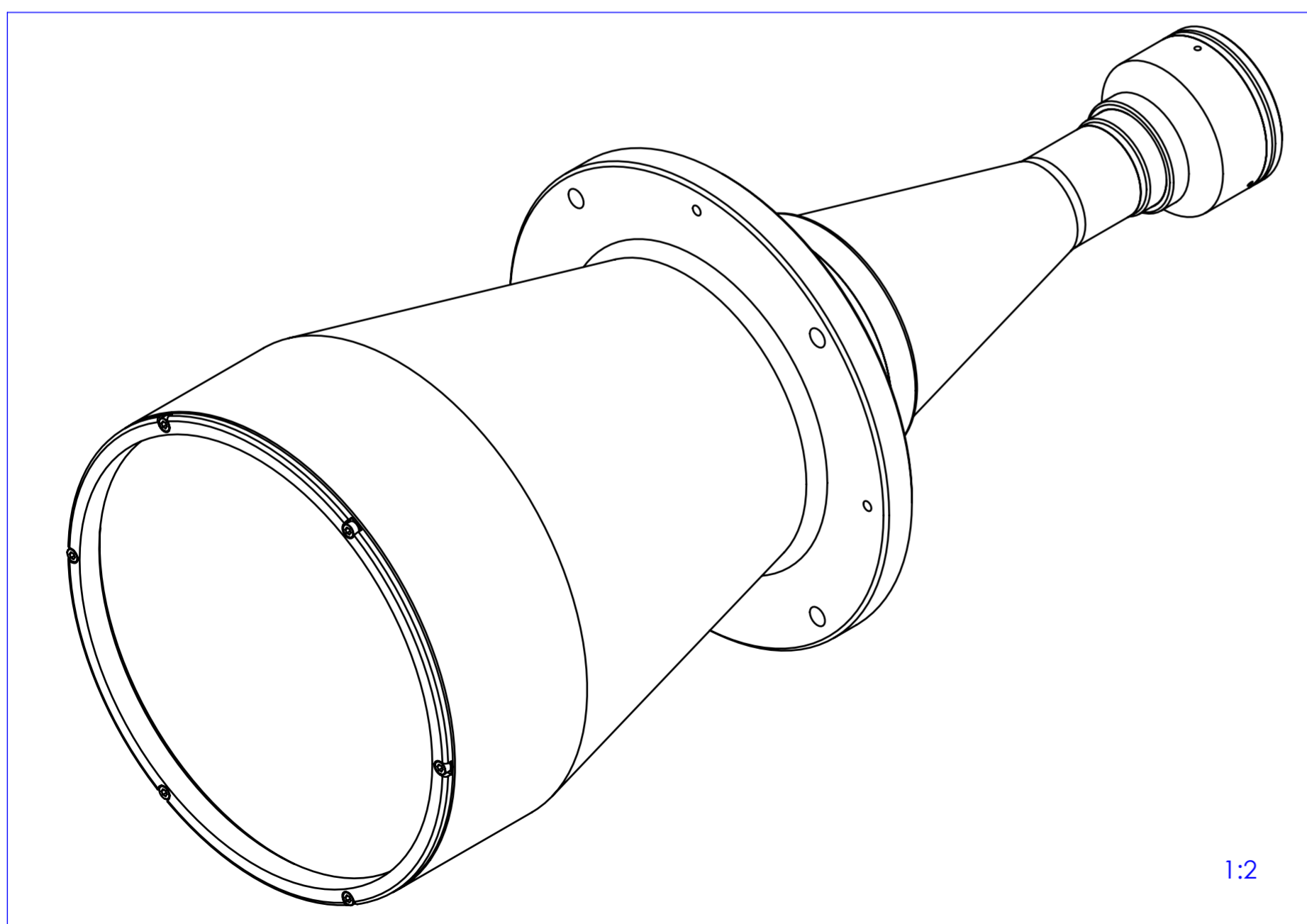
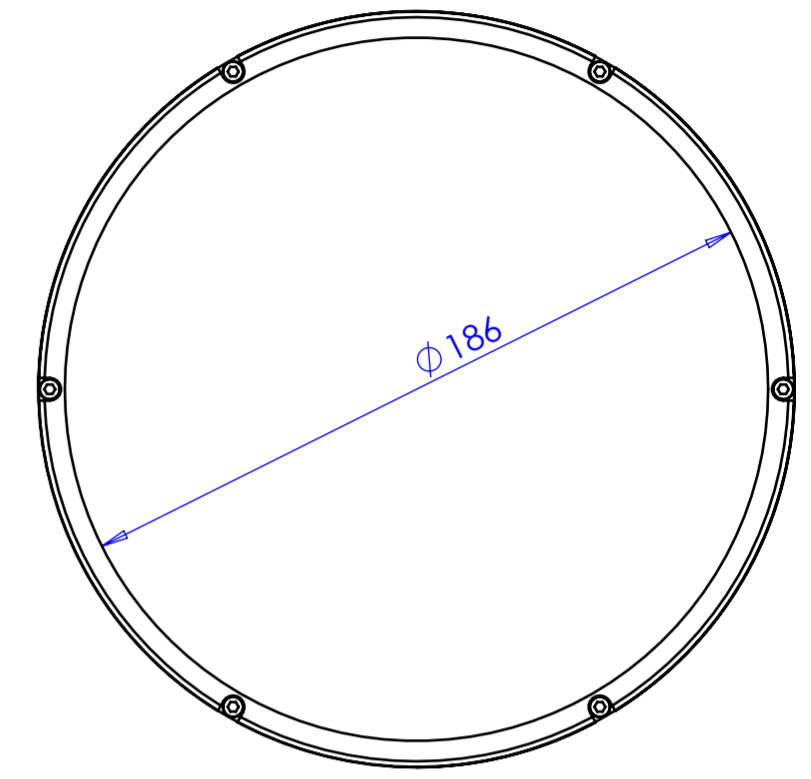
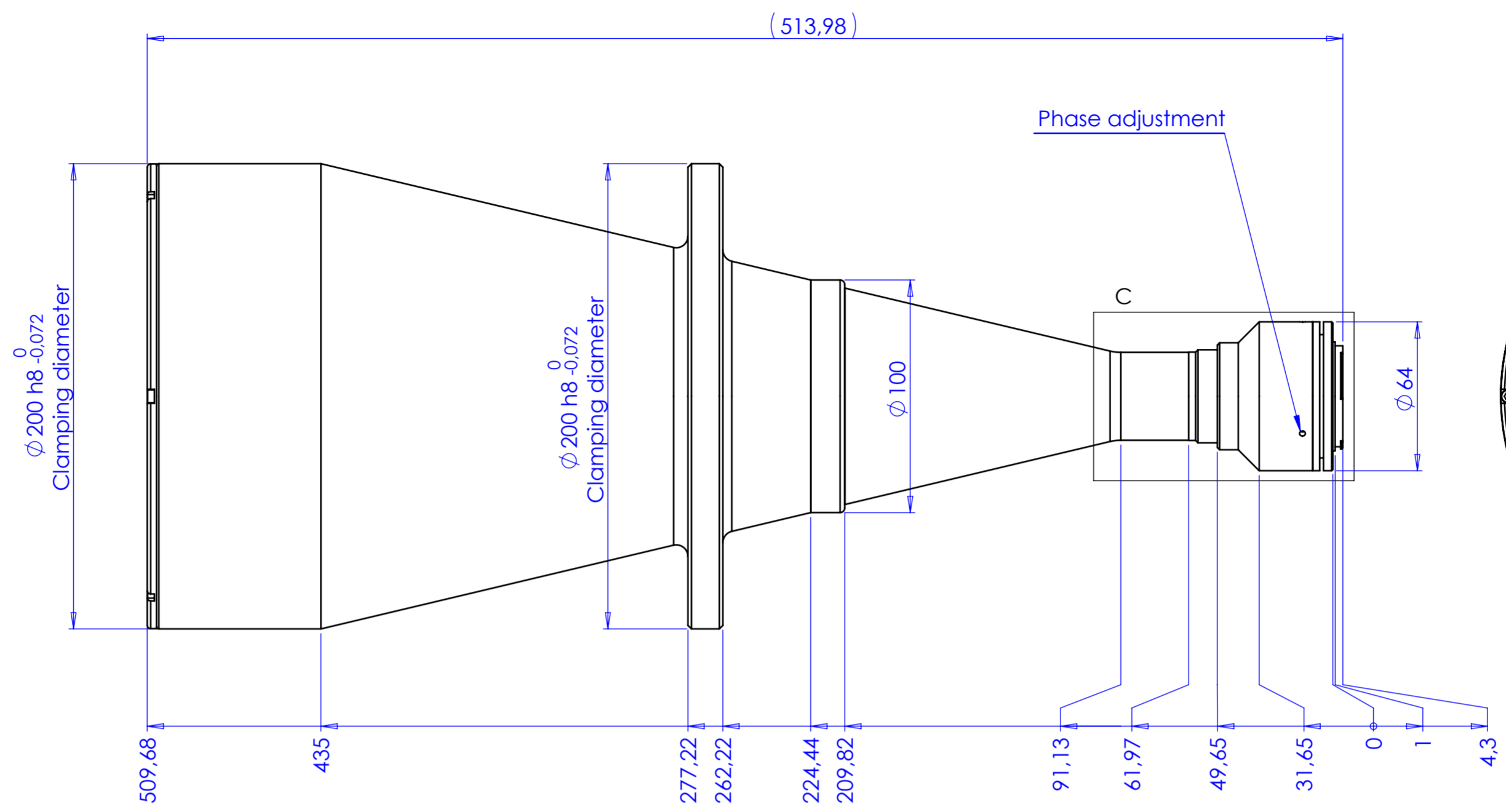
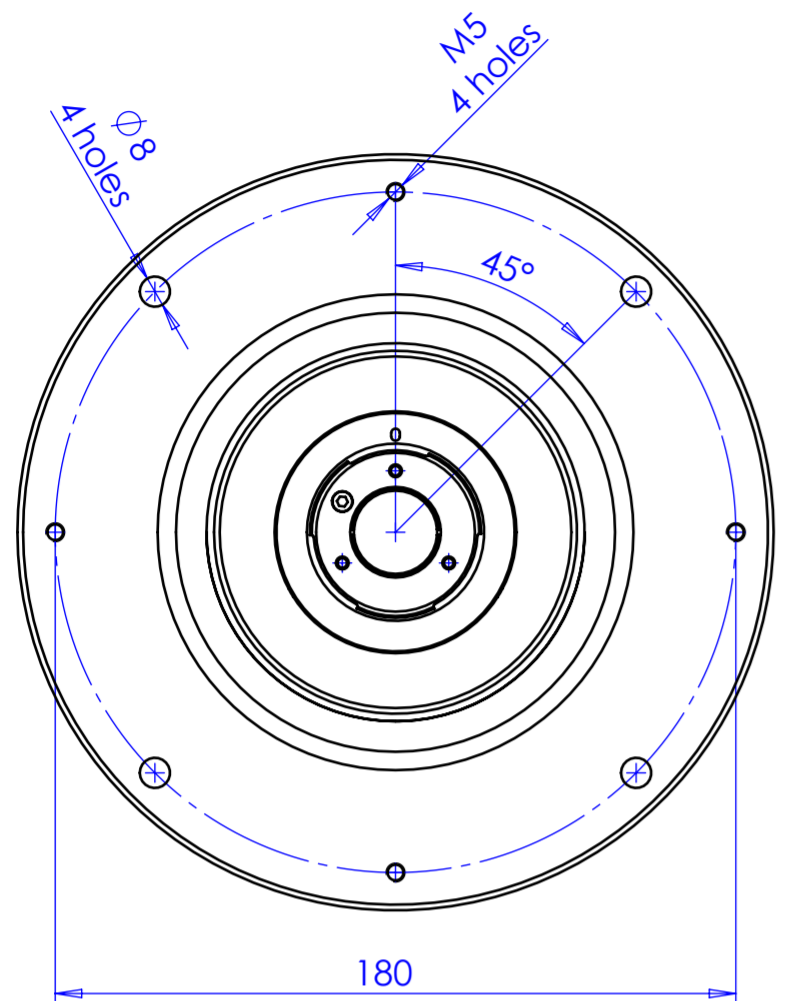


Rev No.	Description	Date	Name
B	Variazione nome	08/07/2014	Vasconetto



DETAIL C
SCALE 1:1

1:2

Material	N.A.	Mass	6044 g	Scale	1:2					
Surface treatment	N.A.	Part No.	CO71448							
Geometrical tolerance (ISO 2768-2)	Class	K	Undimensioned bevels	0.5x45°	Description					
Linear tolerance (ISO 2768-2)	Class	m	Undimensioned radii	R 0.5	TC4MHR144-F					
0.5	>3+	>6+	>30+	>120	>400+	>1000	>2000	>4000	Drawing No. DP 71448-B	Sheet 1/1
+3	6	30	120	+400	1000	+2000	+4000			
±0.1	±0.1	±0.2	±0.3	±0.5	±0.8	±1.2	±2			
		Date	Name		Drawing No.	Sheet				
Designed 04/04/2014 Vasconetto Drawn 05/06/2014 Rodella Checked										
OPTO ENGINEERING S.r.l. - Mantova Italy - Tel. +39 0376 699111 - www.opto-engineering.com						Secret and confidential - All rights reserved - No copy, dissemination or circulation is allowed unless specifically authorized in writing by OPTO ENGINEERING S.r.l. - Any violation shall be legally prosecuted.				