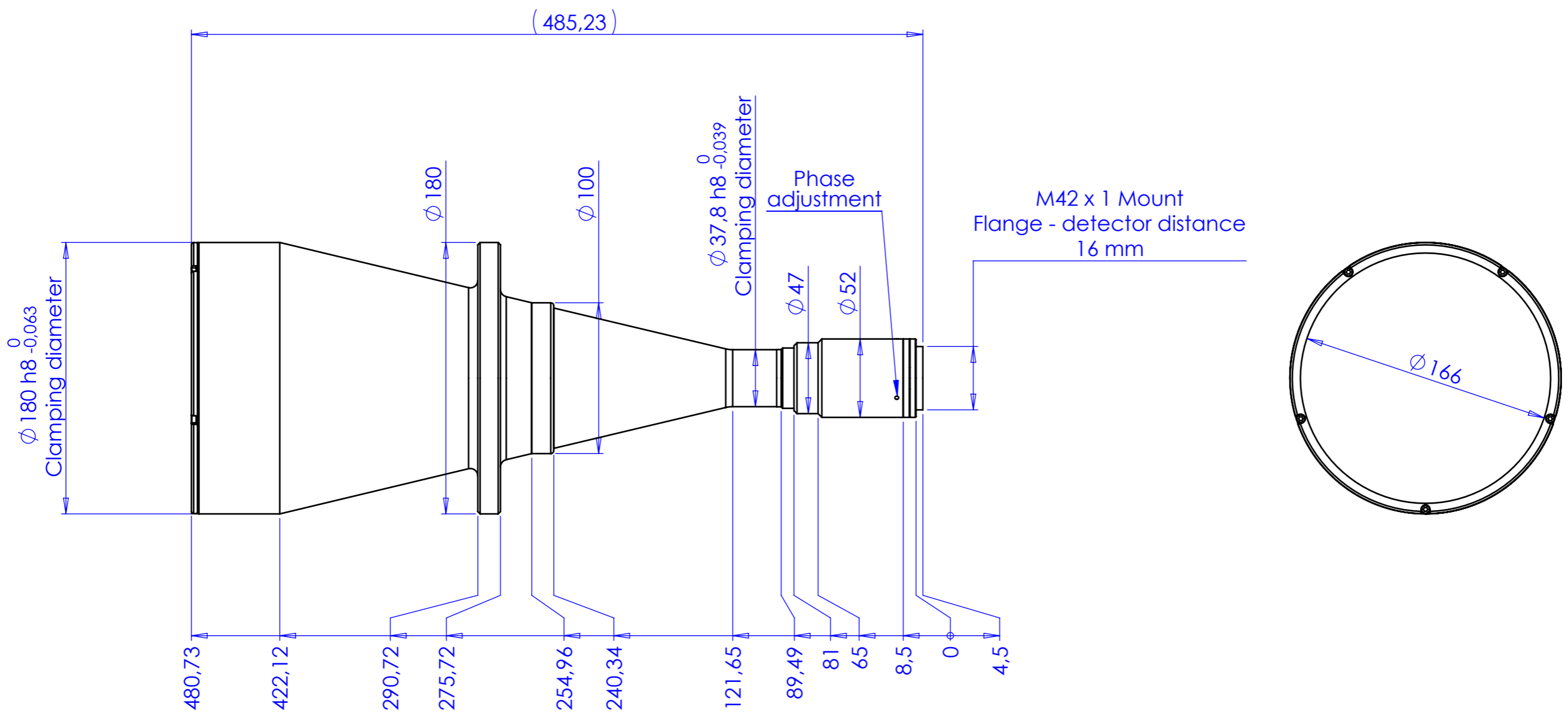


Rev No.	Description	Date	Name
C	Correzione pesi	08/07/2014	Vasconetto
B	Correzione nomi	18/06/2014	Vasconetto



Material	N.A.		Mass	4890 g	Scale	1:3
Surface treatment	N.A.		Part No.	CO71446		
Geometrical tolerance (ISO 2768-2)	Class	K	Undimensioned bevels	0.5x45°		
Linear tolerance (ISO 2768-2)	Class	m	Undimensioned radii	R 0.5		
0.5 ±3	>3± 6	>6± 30	>30± 120	>120 ±400	>400± 1000	>1000 ±2000
±0.1	±0.1	±0.2	±0.3	±0.5	±0.8	±1.2
		Date	Name	Drawing No.	Sheet	
		Designed	04/04/2014	Vasconetto	DP 71446-C	1/1
		Drawn	28/05/2014	Rodella		
		Checked				
all dimensions are in mm OPTO ENGINEERING S.r.l. - Mantova Italy - Tel. +39 0376 699111 - www.opto-engineering.com						
Secret and confidential - All rights reserved - No copy, dissemination or circulation is allowed unless specifically authorized in writing by OPTO ENGINEERING S.r.l. - Any violation shall be legally prosecuted.						

D
C
B
A

D
C
B
A

1 2 3 4 5 6 7 8

1 2 3 4 5 6 7 8

0 1 2 3 4 5 6 7 8 9 10