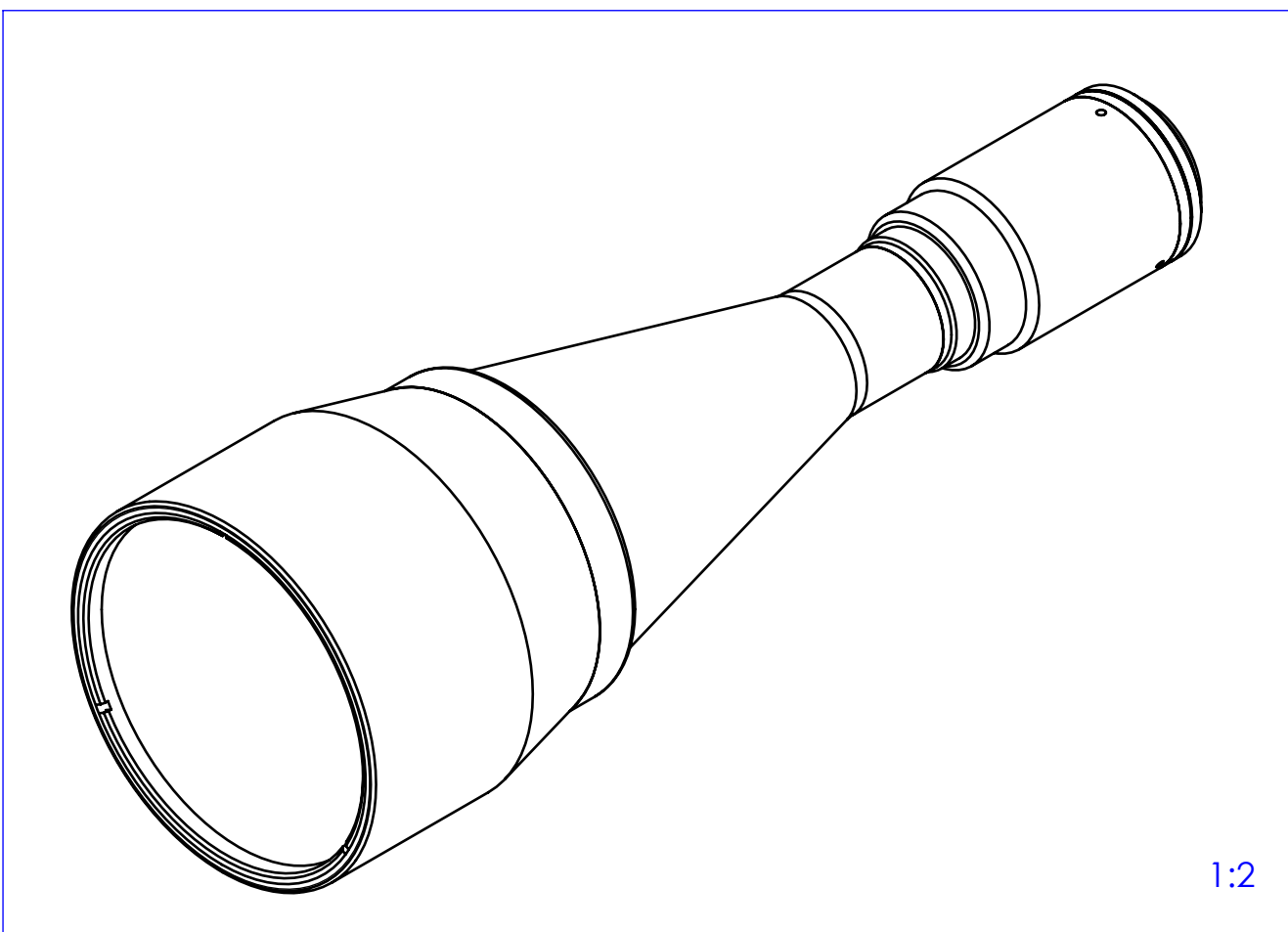
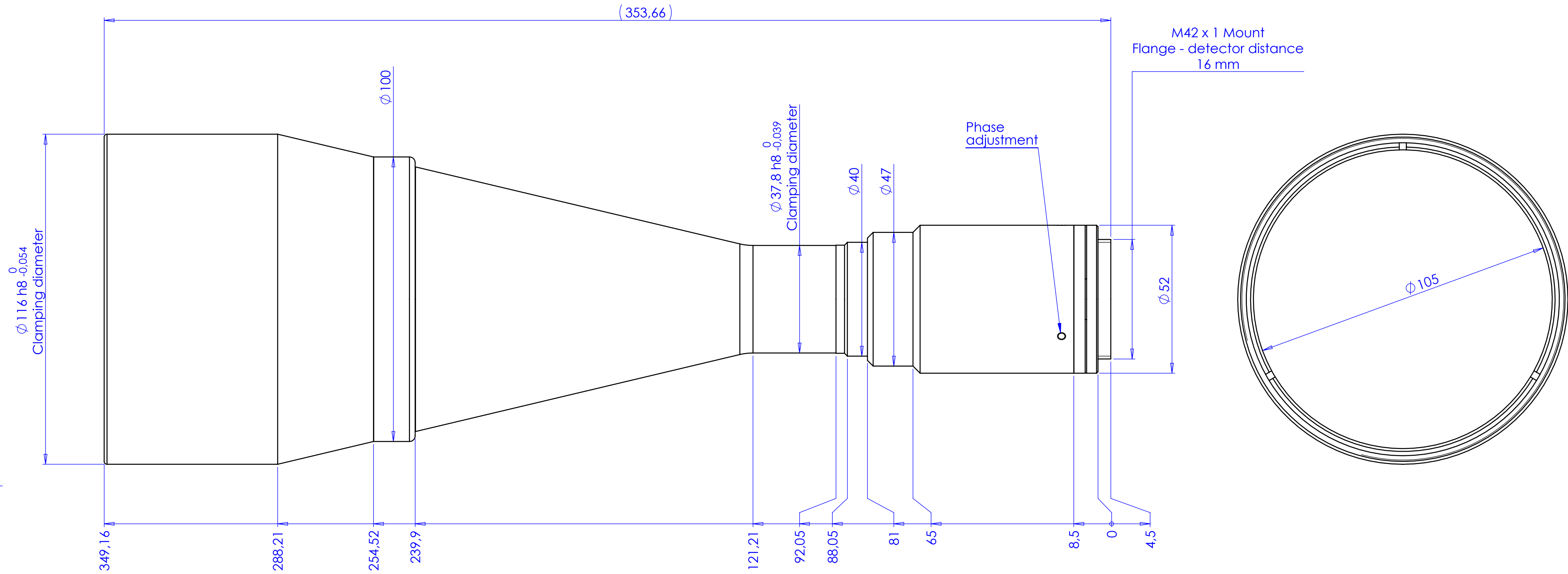


Rev No.	Description	Date	Name
B	Variazione nome	08/07/2014	Vasconetto



Material	N.A.	Mass	1643 g	Scale	1:1		
Surface treatment	N.A.	Part No.	CO71440				
Geometrical tolerance (ISO 2768-2)	Class	K	Undimensioned bevels	0,5x45°	Description		
Linear tolerance (ISO 2768-2)	Class	m	Undimensioned radii	R 0,5	TC4MHR080-E		
0,5	>3+	>6+	>30+	>120	>400+	>1000	>2000
+3	6	30	120	+400	1000	+2000	+4000
±0,1	±0,1	±0,2	±0,3	±0,5	±0,8	±1,2	±2
Date		Name		Drawing No.		Sheet	
Designed 04/04/2014		Vasconetto		DP 71440-B		1/1	
Drawn 05/06/2014		Rodella		Secret and confidential - All rights reserved - No copy, dissemination or circulation is allowed unless specifically authorized in writing by OPTO ENGINEERING S.r.l. - Any violation shall be legally prosecuted.			
Checked		OPTO ENGINEERING S.r.l. - Mantova Italy - Tel. +39 0376 699111 - www.opto-engineering.com					