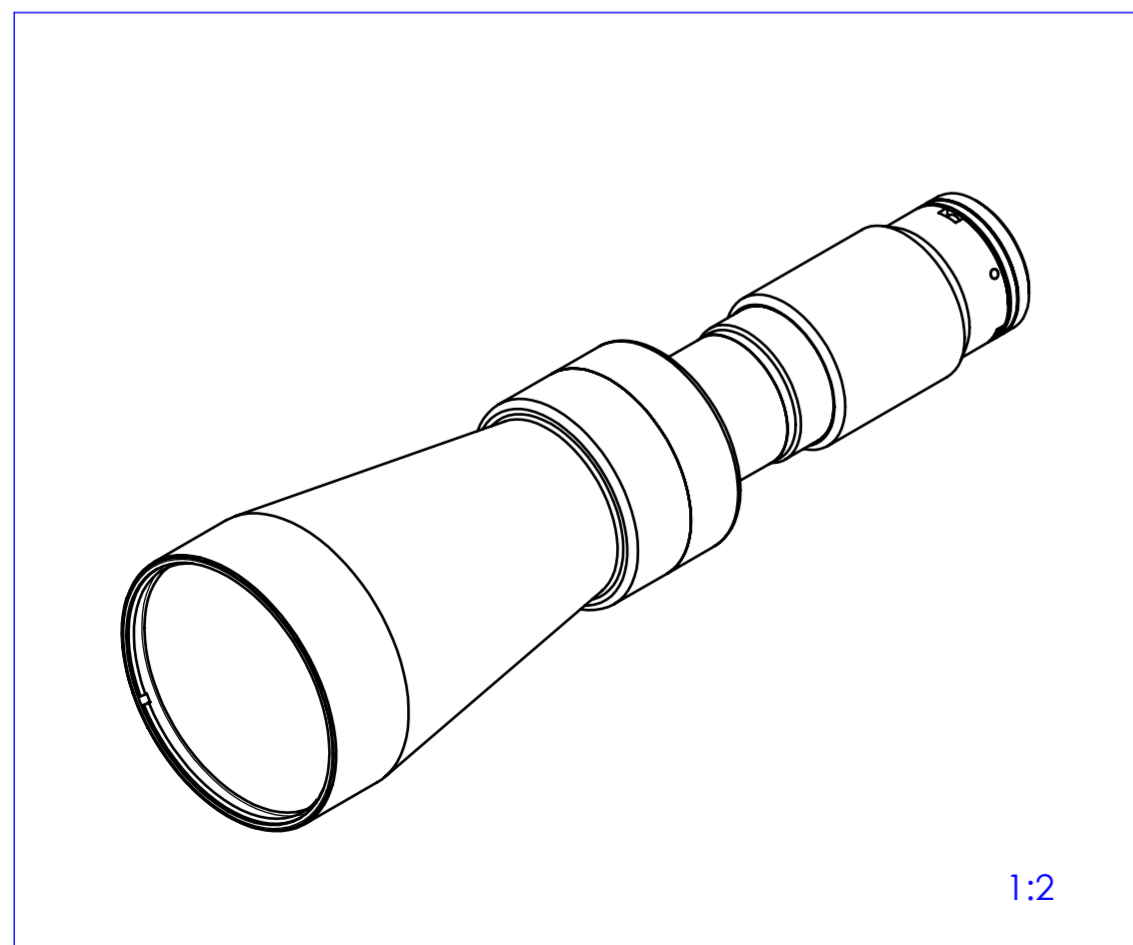
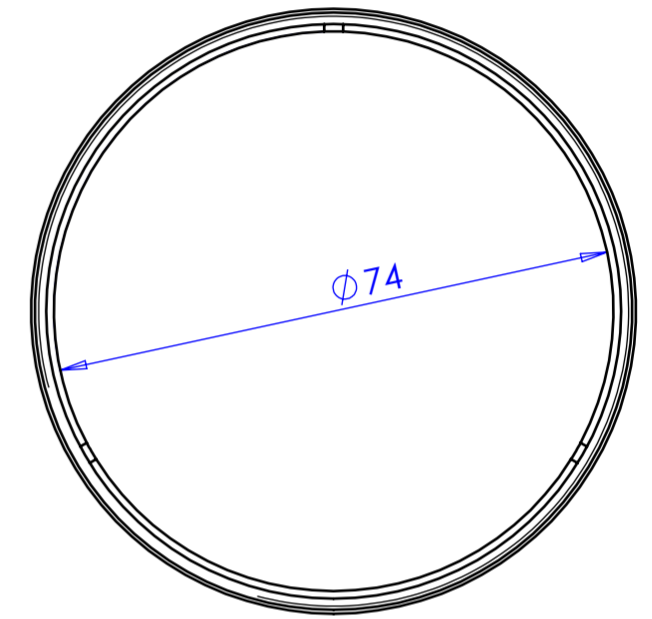
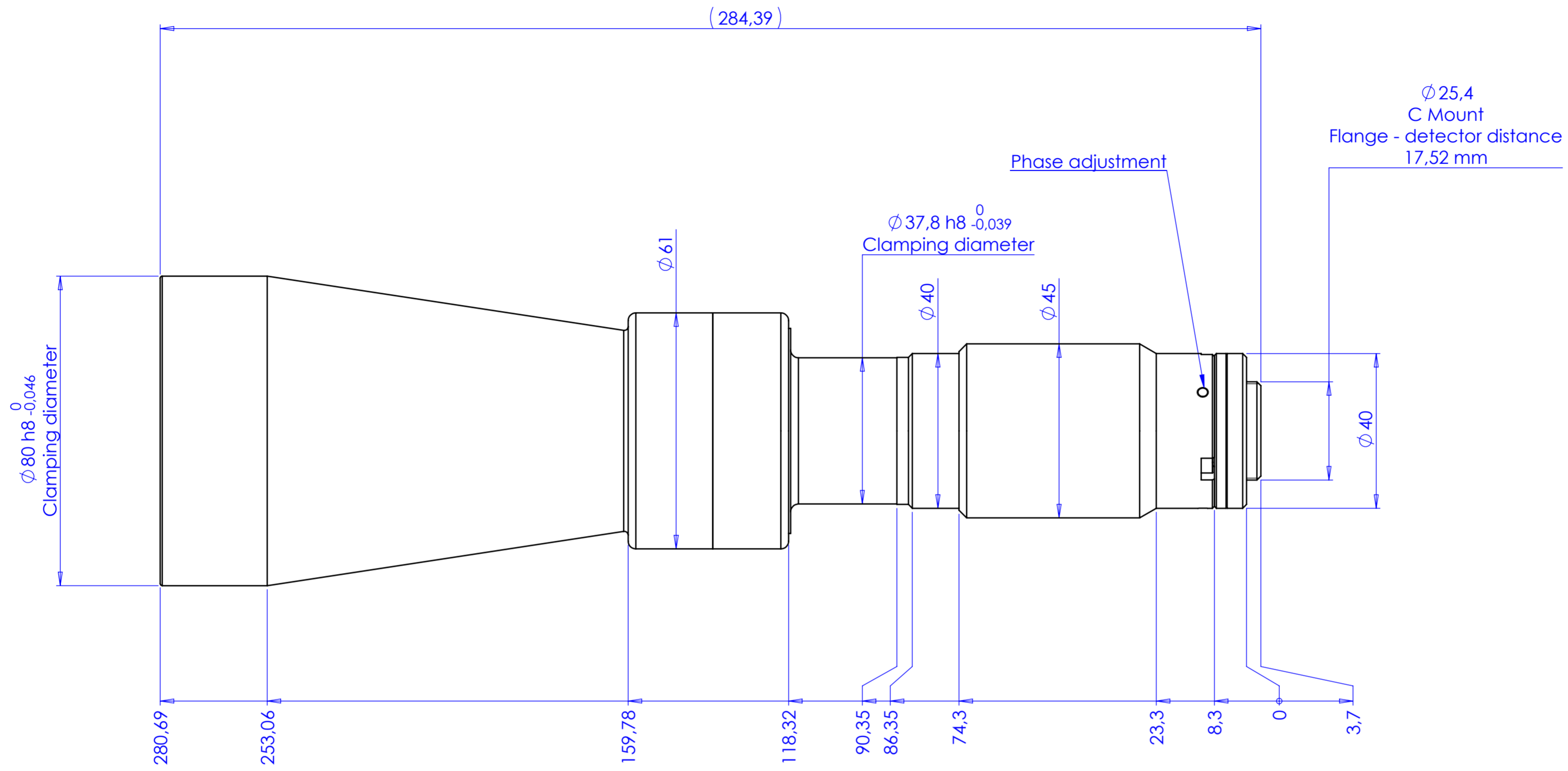


Rev No.	Description	Date	Name
C	Aggiornata quota frontale	24/10/2016	Rodella
B	Variazione nome	08/07/2014	Vasconetto



1:2

Material	N.A.	Mass	1048 g	Scale	1:1							
Surface treatment	N.A.	Part No.	CO71432									
Geometrical tolerance (ISO 2768-2)	Class	K	Undimensioned bevels	0,5x45°	Description							
Linear tolerance (ISO 2768-2)	Class	m	Undimensioned radii	R 0,5	TC4MHR056-C							
0,5 +3	>3+	>6+	>30+	>120	>400+	>1000	>2000	>4000	Date	Name	Drawing No.	Sheet
±0,1	±0,1	±0,2	±0,3	±0,5	±0,8	±1,2	±2	04/04/2014	Vasconetto	DP 71432-C	1/1	
		Designed	04/04/2014	Vasconetto		Date		Name		Drawing No.		
		Drawn	05/06/2014	Rodella		Date		Name		Drawing No.		
		Checked				Date		Name		Drawing No.		
<p>OPTO ENGINEERING S.r.l. - Mantova Italy - Tel. +39 0376 699111 - www.opto-engineering.com</p> <p>Secret and confidential - All rights reserved - No copy, dissemination or circulation is allowed unless specifically authorized in writing by OPTO ENGINEERING S.r.l. - Any violation shall be legally prosecuted.</p>												