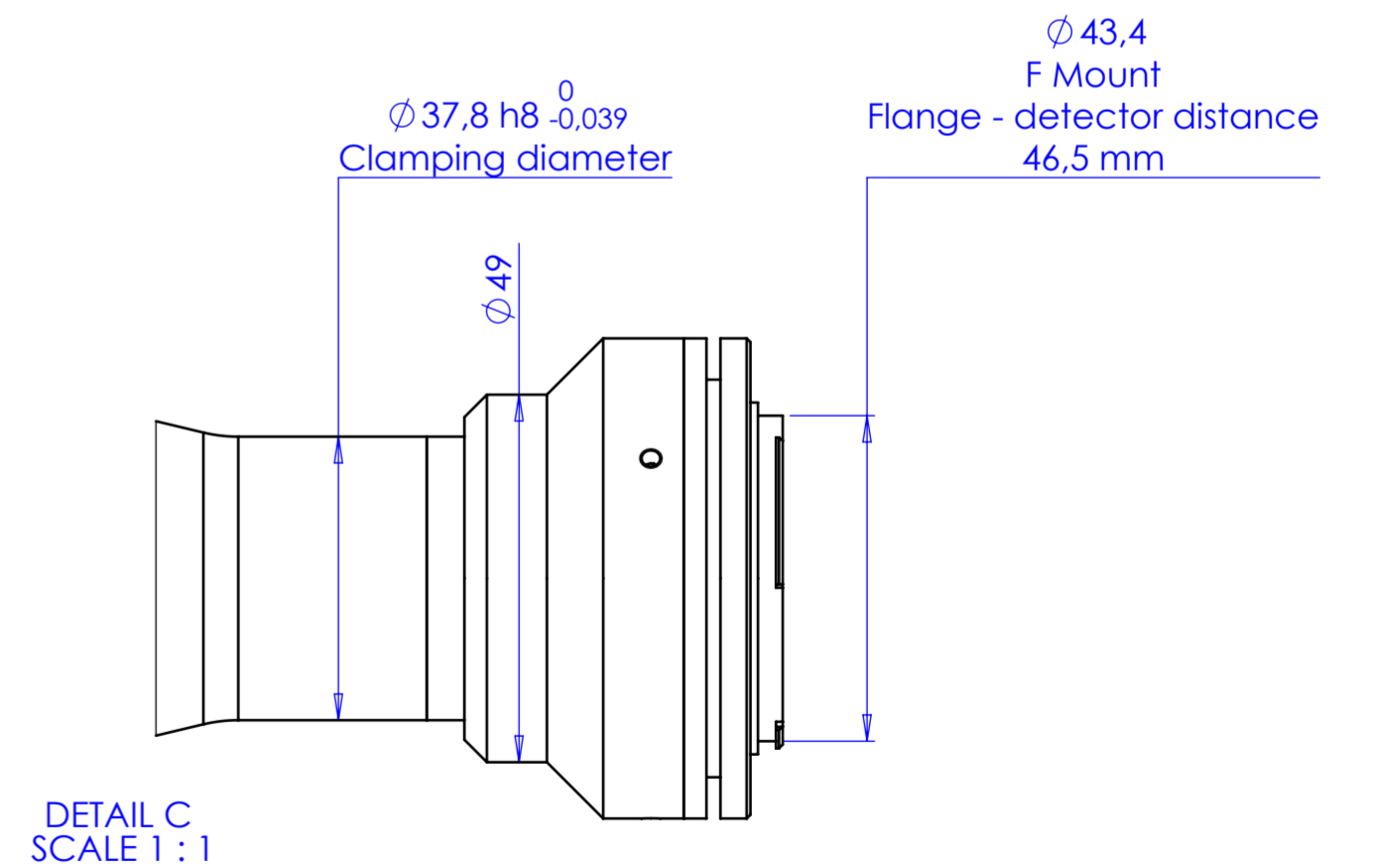
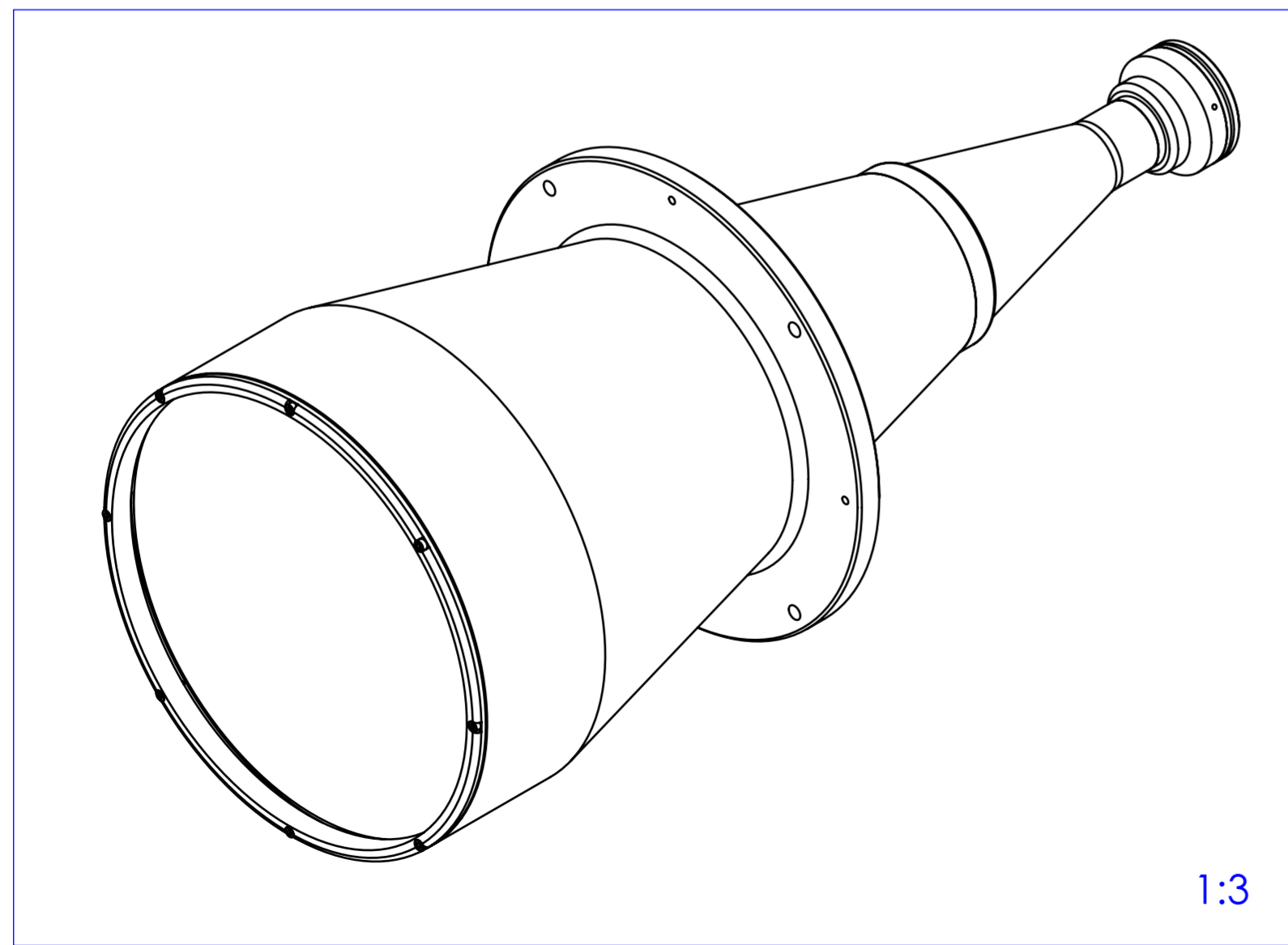
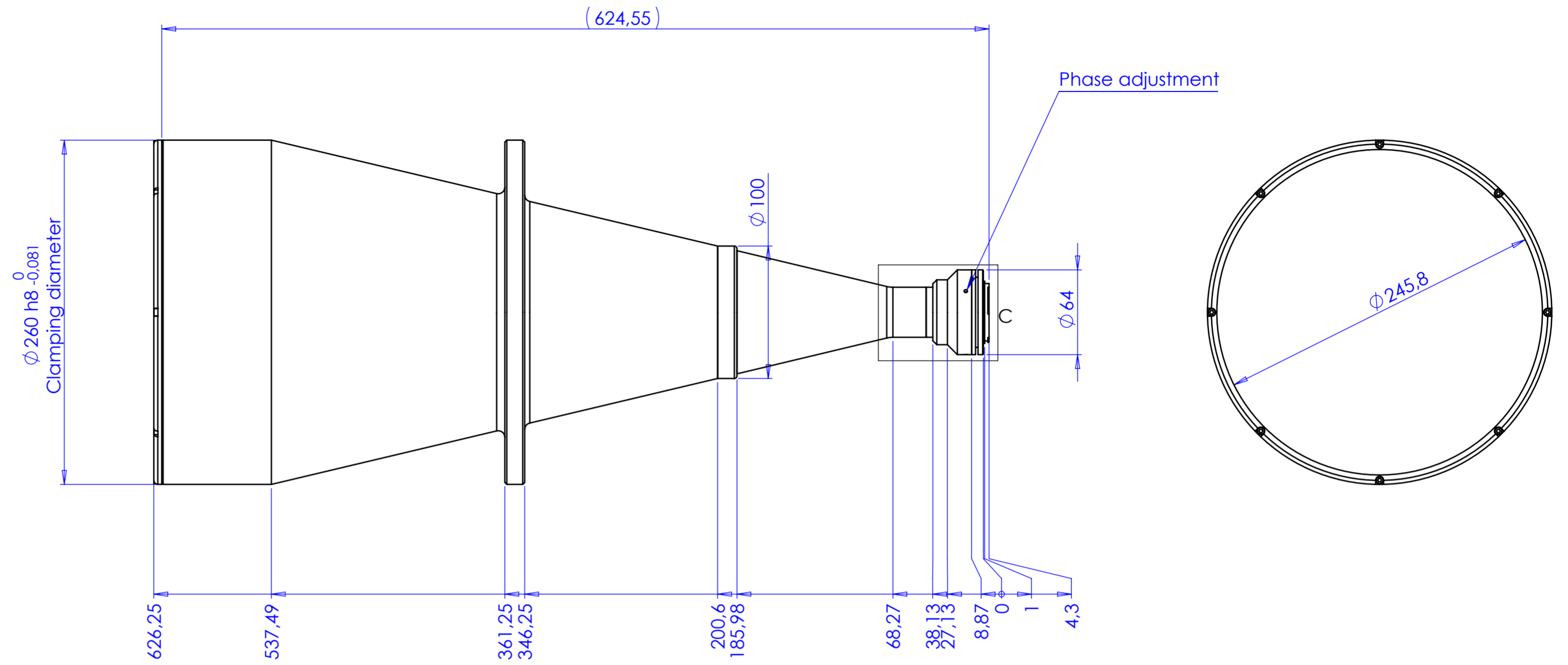
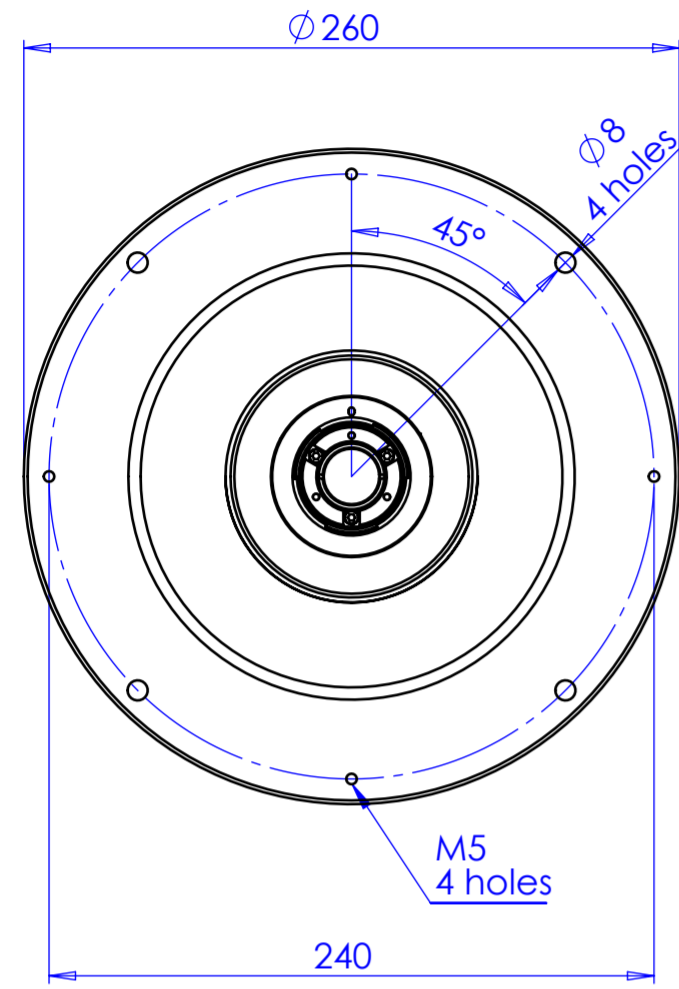


Rev No.	Description	Date	Name
B	Variazione nome	08/07/2014	Vasconetto



Material	N.A.	Mass	10101 g	Scale	1:3					
Surface treatment	N.A.	Part No.	CO71415							
Geometrical tolerance (ISO 2768-2)	Class	K	Undimensioned bevels	0,5x45°	Description					
Linear tolerance (ISO 2768-2)	Class	m	Undimensioned radii	R 0,5	TC2MHR192-F					
0,5	>3+	>6+	>30+	>120	>400+	>1000	>2000	>4000		
+3	6	30	120	+400	1000	+2000	+4000			
±0,1	±0,1	±0,2	±0,3	±0,5	±0,8	±1,2	±2			
		Date	Name		Drawing No.	Sheet				
		Designed	Vasconetto		DP 71415-B	1/1				
		Drawn	Rodella							
		Checked								
OPTO ENGINEERING S.r.l. - Mantova Italy - Tel. +39 0376 699111 - www.opto-engineering.com										

Secret and confidential - All rights reserved -
 No copy, dissemination or circulation is allowed unless
 specifically authorized in writing by OPTO ENGINEERING
 S.r.l. - Any violation shall be legally prosecuted.