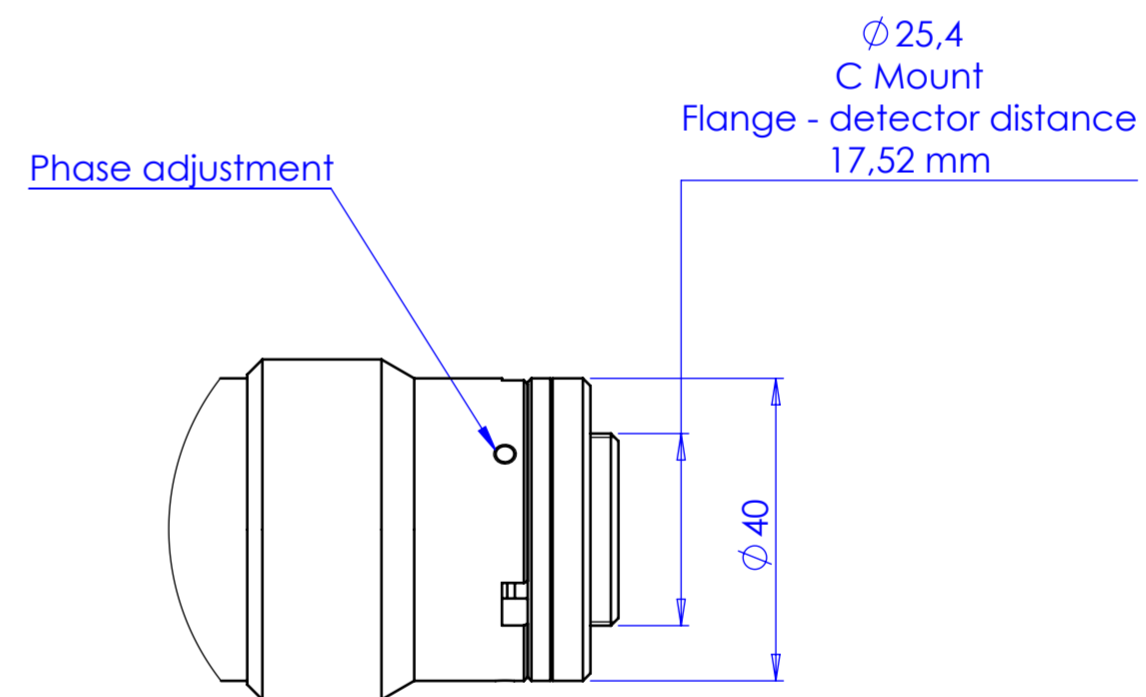
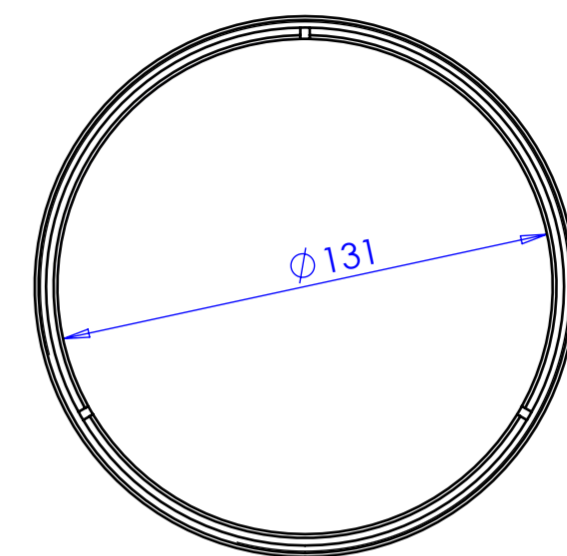
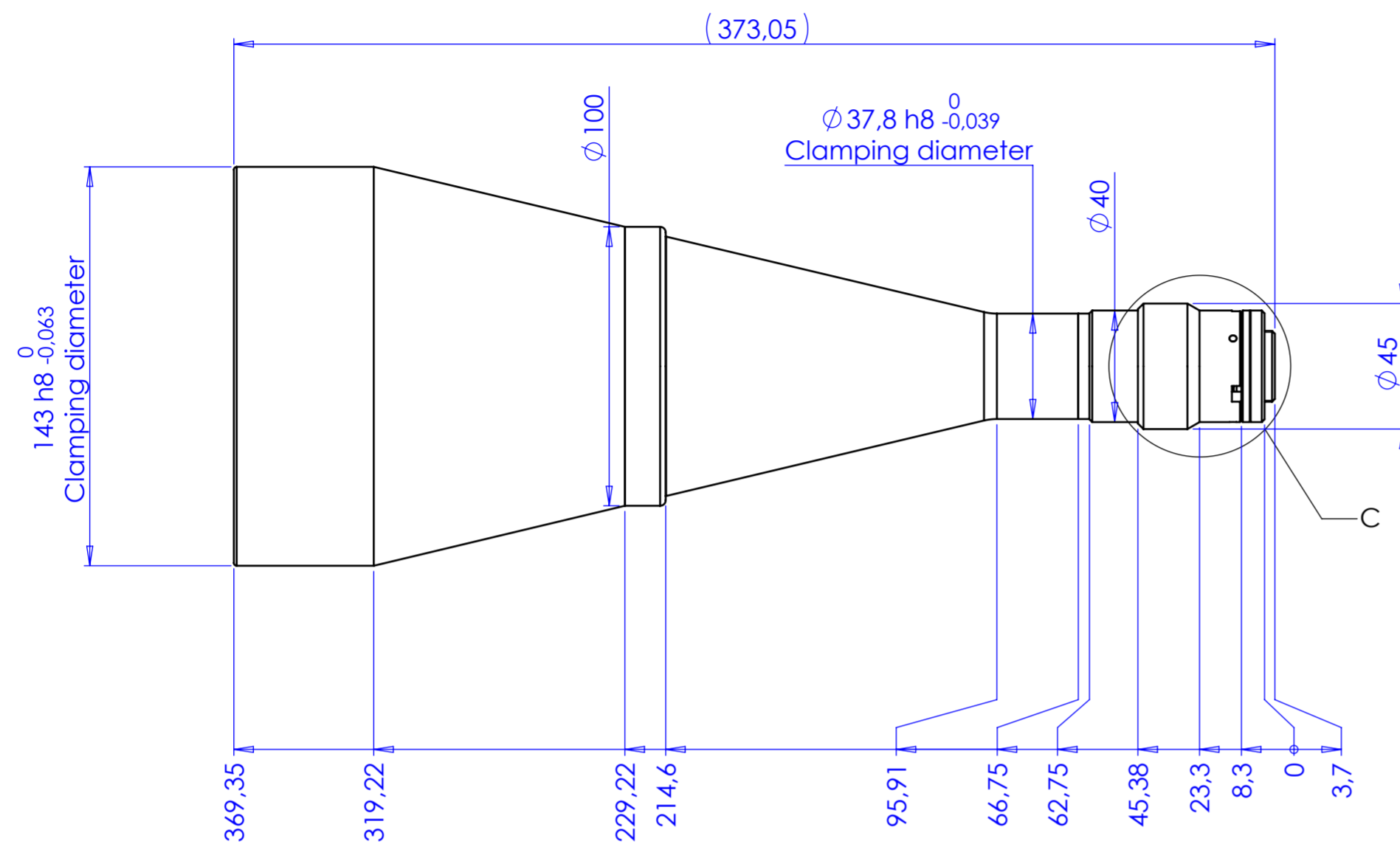
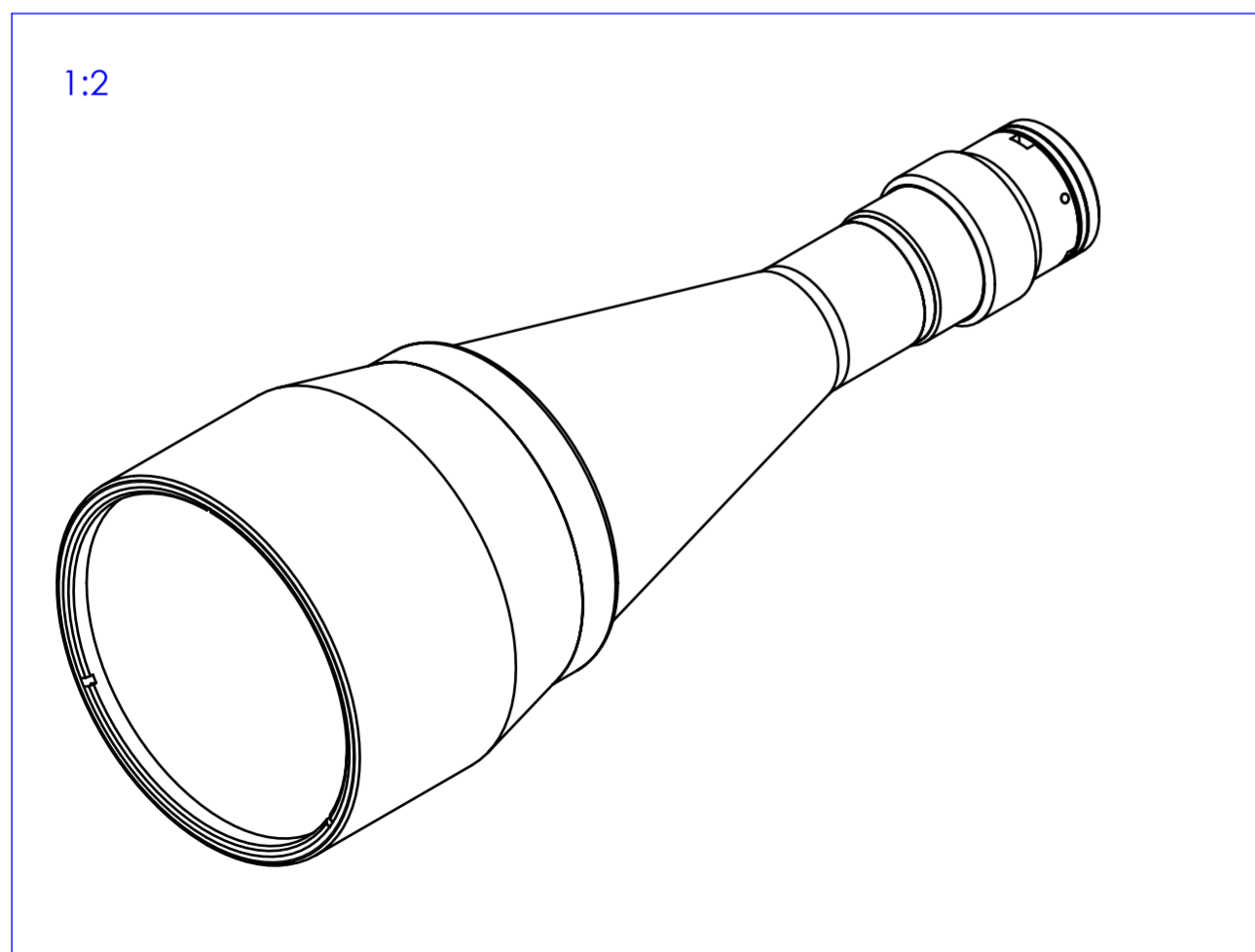


Rev No.	Description	Date	Name
B	Variazione nome	08/07/2014	Vasconetto



DETAIL C
SCALE 1 : 1



Material	N.A.	Mass	2325 g	Scale	1:2
Surface treatment	N.A.	Part No.	CO71405		
Geometrical tolerance (ISO 2768-2)		Class	K	Undimensioned bevels	0.5x45°
Linear tolerance (ISO 2768-2)		Class	m	Undimensioned radii	R 0.5
0.5	>3+	>6+	>30+	>120	>400+
+3	6	30	120	+400	1000
+0.1	±0.1	±0.2	±0.3	±0.5	±0.8
				±1.2	±2
Date		Name			
Designed		04/04/2014 Vasconetto			
Drawn		05/06/2014 Rodella			
Checked					
Drawing No.		Sheet			
DP 71405-B		1/1			

OPTO ENGINEERING S.r.l. - Mantova Italy - Tel. +39 0376 699111 - www.opto-engineering.com

Secret and confidential - All rights reserved -
No copy, dissemination or circulation is allowed unless
specifically authorized in writing by OPTO ENGINEERING
S.r.l. - Any violation shall be legally prosecuted.