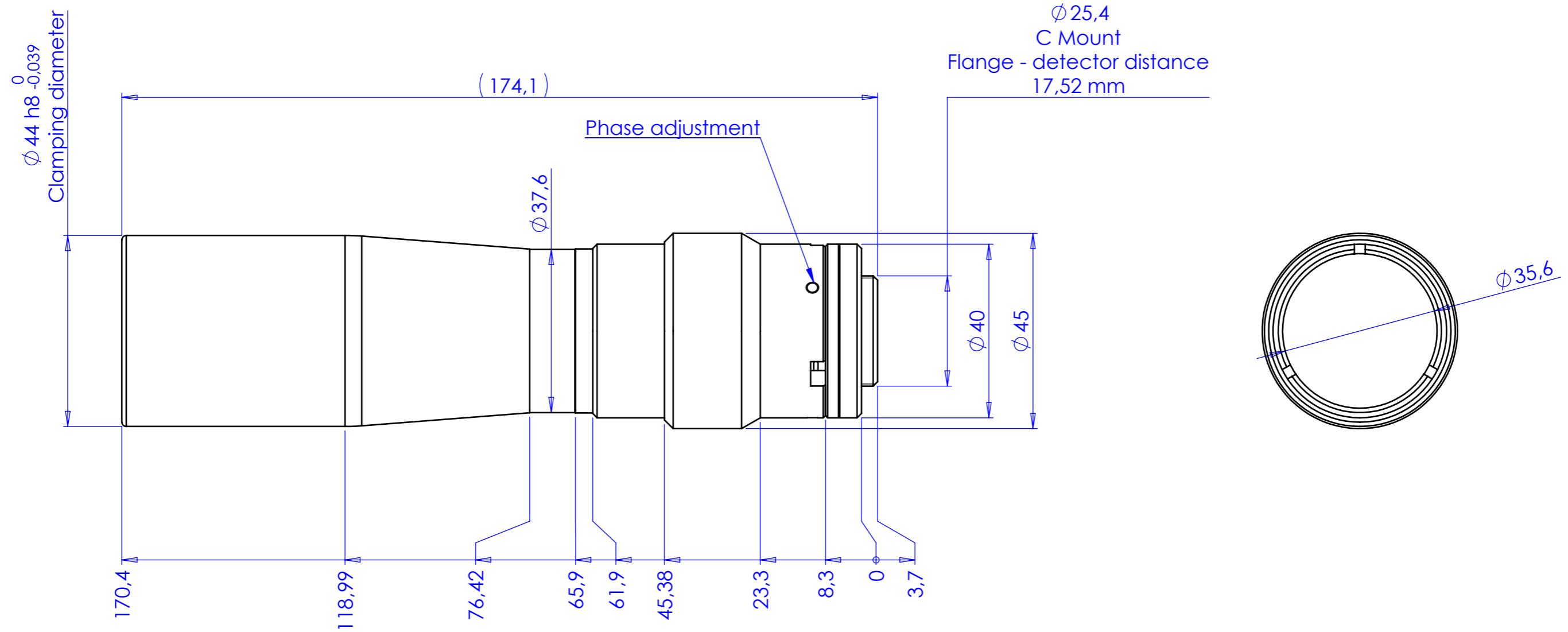


Rev No.	Description	Date	Name
B	Variazione nome	08/07/2014	Vasconetto



Material	N.A.	Mass	448 g	Scale	1:1
Surface treatment	N.A.	Part No.	CO71387		
Geometrical tolerance (ISO 2768-2)	Class	K	Undimensioned bevels	0,5x45°	Description <b>TC2MHR024-C</b>
Linear tolerance (ISO 2768-2)	Class	m	Undimensioned radii	R 0,5	
0,5 ±3	>3± 6	>6± 30	>30± 120	>120 ±400	>400± 1000
±0,1	±0,1	±0,2	±0,3	±0,5	±0,8
					±1,2
					±2
 <b>OPTO ENGINEERING</b> <small>THE TELEOPTIC COMPANY</small>	Date	Name	Drawing No.	Sheet	
	Designed	04/04/2014	Vasconetto	<b>DP 71387-B</b>	
	Drawn	05/06/2014	Rodella		
Checked				1/1	
<small>Secret and confidential - All rights reserved - No copy, dissemination or circulation is allowed unless specifically authorized in writing by OPTO ENGINEERING S.r.l. - Any violation shall be legally prosecuted.</small>					

all dimensions are in mm