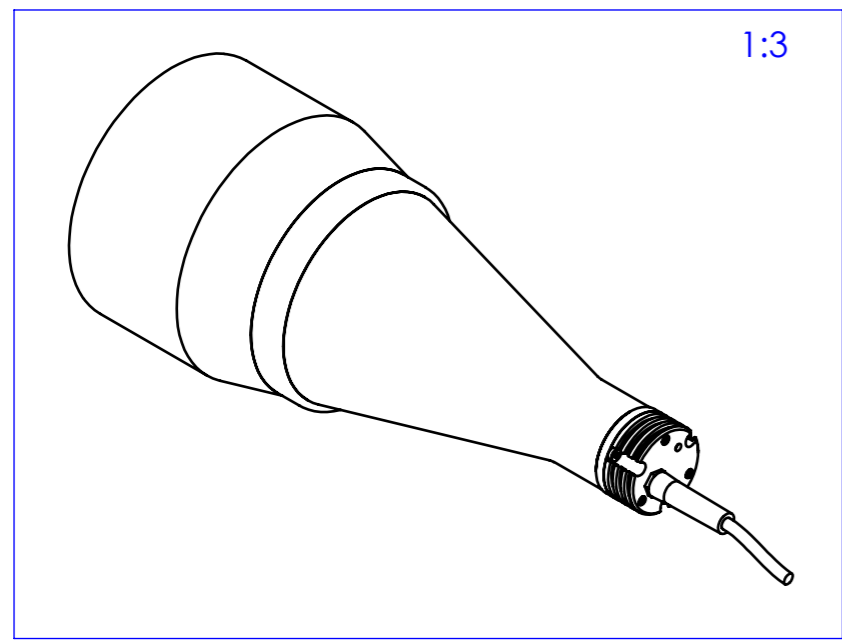
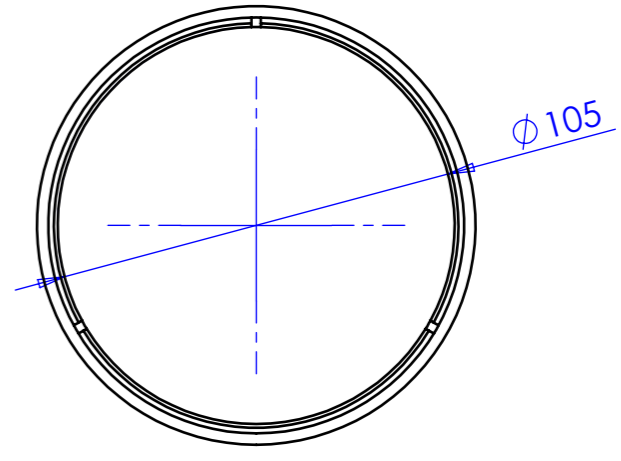
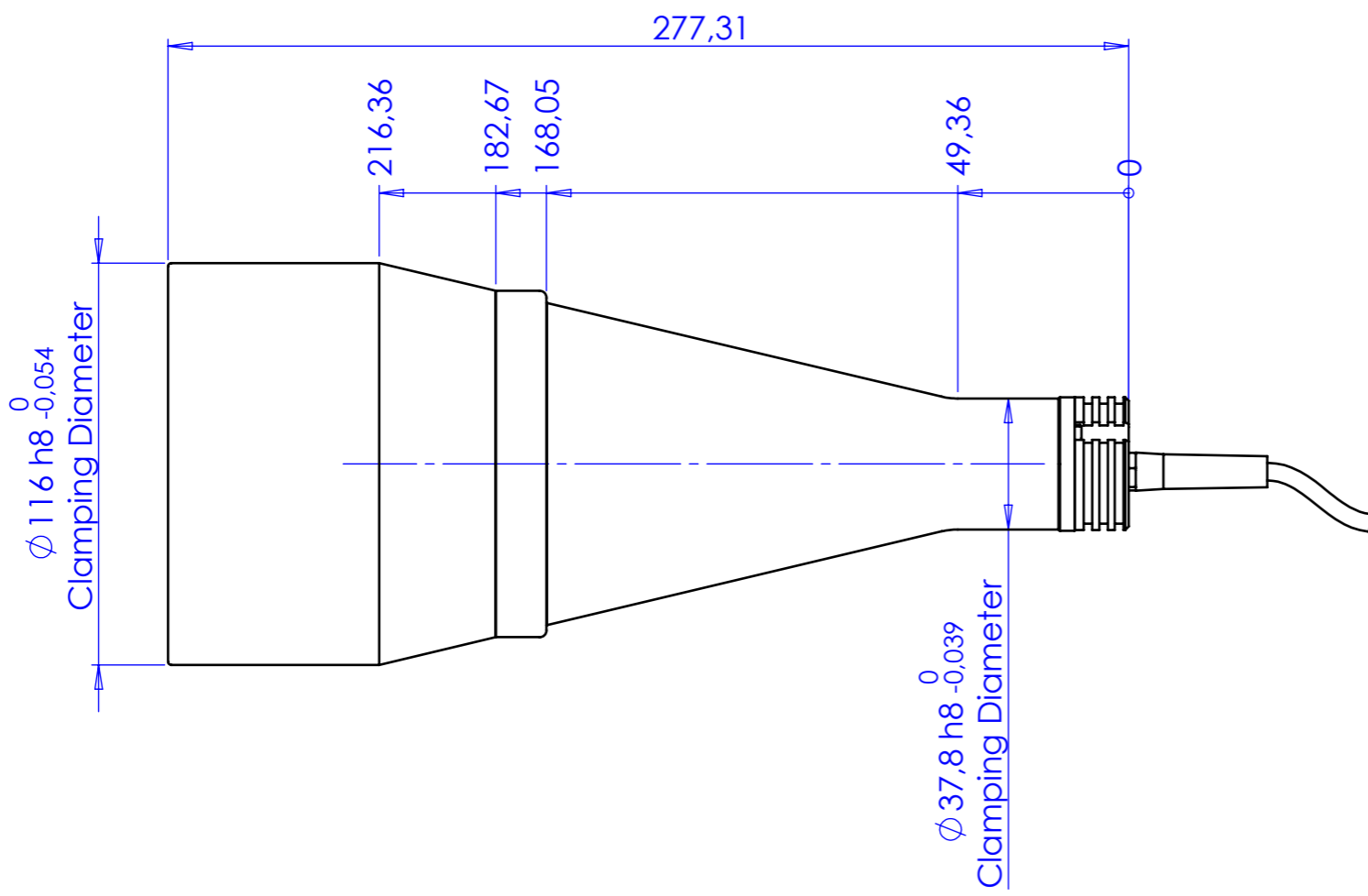


1 2 3 4 5 6 7 8

Rev No.	Description	Date	Name



Material	N.A.		Mass	1348 g	Scale	1:2
Surface treatment	N.A.		Part No.	-		
Geometrical tolerance (ISO 2768-2)			Class	K	Undimensioned bevels	0,5x45°
Linear tolerance (ISO 2768-2)			Class	m	Undimensioned radii	R 0.5
0.5	>3±	>6±	>30±	>120	>400±	>1000
±3	6	30	120	±400	1000	±2000
±0.1	±0.1	±0.2	±0.3	±0.5	±0.8	±1.2
			±2000	±4000	±2	
			Date	Name		Drawing No.
			Designed	19/02/2014 A.Vasconetto		DP 60731 -A
			Drawn	19/02/2014 P.Rodella		
			Checked			
					Sheet	
					1/1	
			Secret and confidential - All rights reserved - No copy, dissemination or circulation is allowed unless specifically authorized in writing by OPTO ENGINEERING S.r.l. - Any violation shall be legally prosecuted.			

all dimensions are in mm



OPTO ENGINEERING S.r.l. - Mantova Italy - Tel. +39 0376 699111 - www.opto-engineering.com

1 2 3 0 1 2 3 4 5 6 7 8 9 10 6 7 8