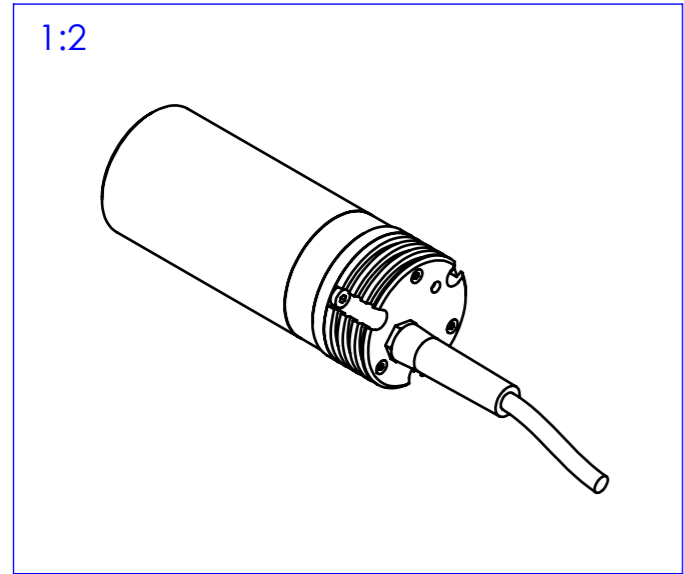
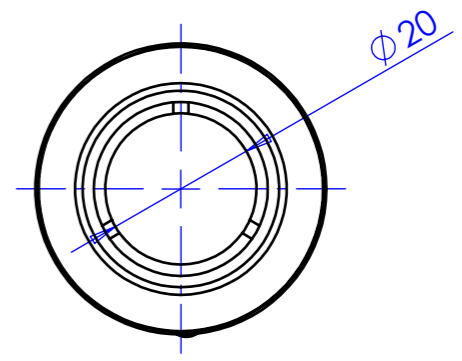
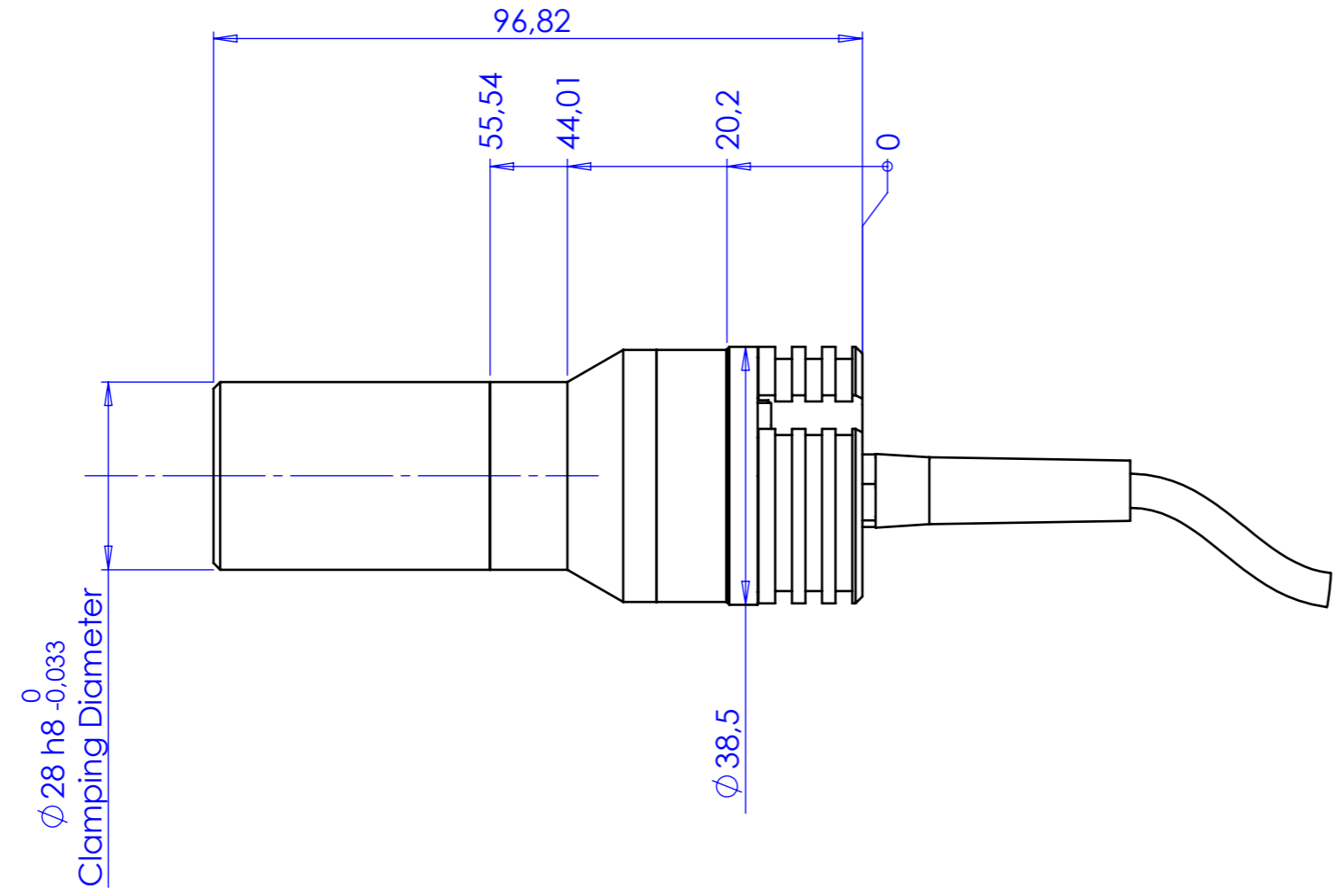


1 2 3 4 5 6 7 8

Rev No.	Description	Date	Name



Material		N.A.		Mass		156 g		Scale		1:1			
Surface treatment		N.A.		Part No.		-		Description		LTCLHP023-W/R/G/B			
Geometrical tolerance (ISO 2768-2)								Class		K			
Linear tolerance (ISO 2768-2)								Class		m			
0.5	>3±	>6±	>30±	>120	>400±	>1000	>2000	Undimensioned bevels	0.5x45°	Description			
±3	6	30	120	±400	1000	±2000	±4000	Undimensioned radii	R 0.5	Drawing No.			
±0.1	±0.1	±0.2	±0.3	±0.5	±0.8	±1.2	±2	Date		Name			
								Designed		19/02/2014		A.Vasconetto	
								Drawn		19/02/2014		P.Rodella	
								Checked					
OPTO ENGINEERING S.r.l. - Mantova Italy - Tel. +39 0376 699111 - www.opto-engineering.com								Drawing No.		DP 60703-A			
all dimensions are in mm								Sheet		1/1			
Secret and confidential - All rights reserved - No copy, dissemination or circulation is allowed unless specifically authorized in writing by OPTO ENGINEERING S.r.l. - Any violation shall be legally prosecuted.													

1 2 3 4 5 6 7 8

0 1 2 3 4 5 6 7 8 9 10