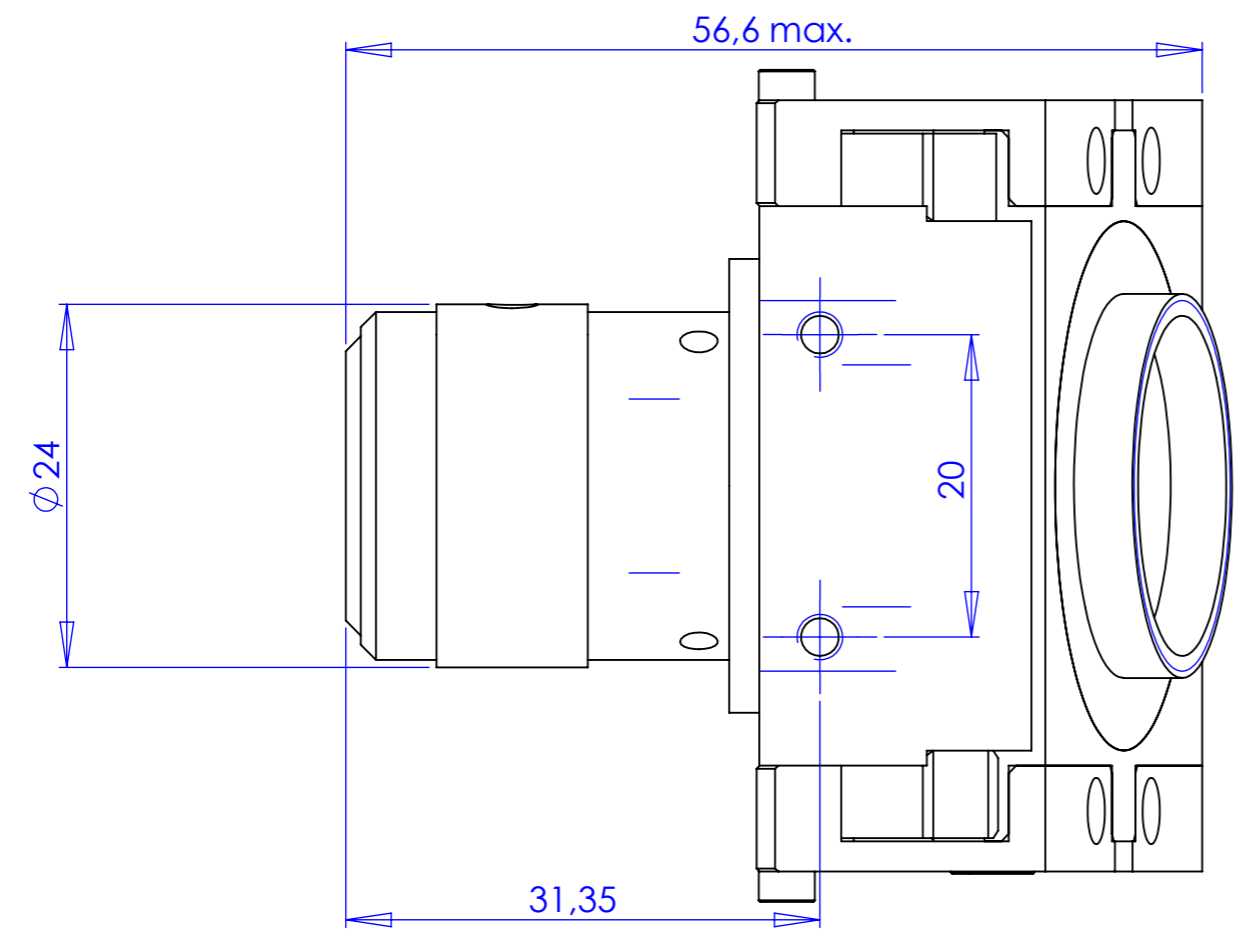
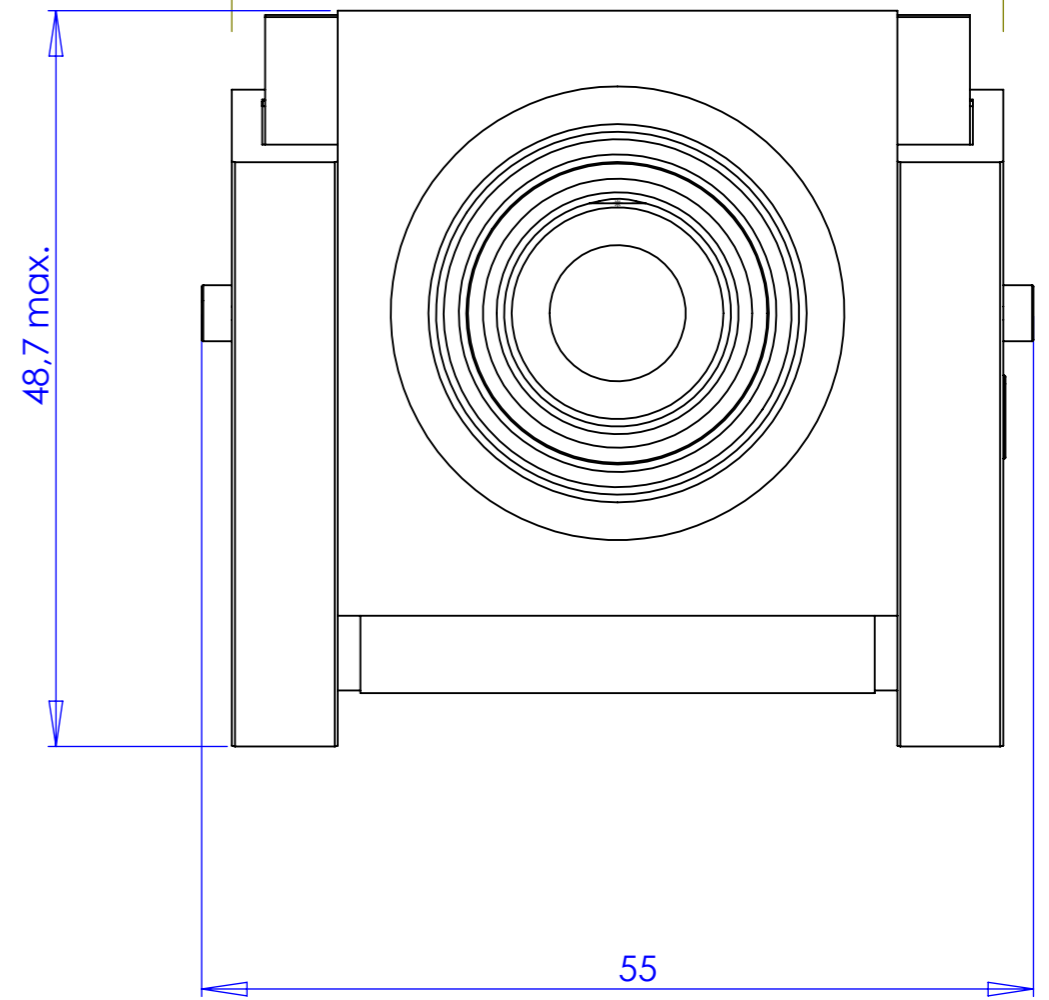
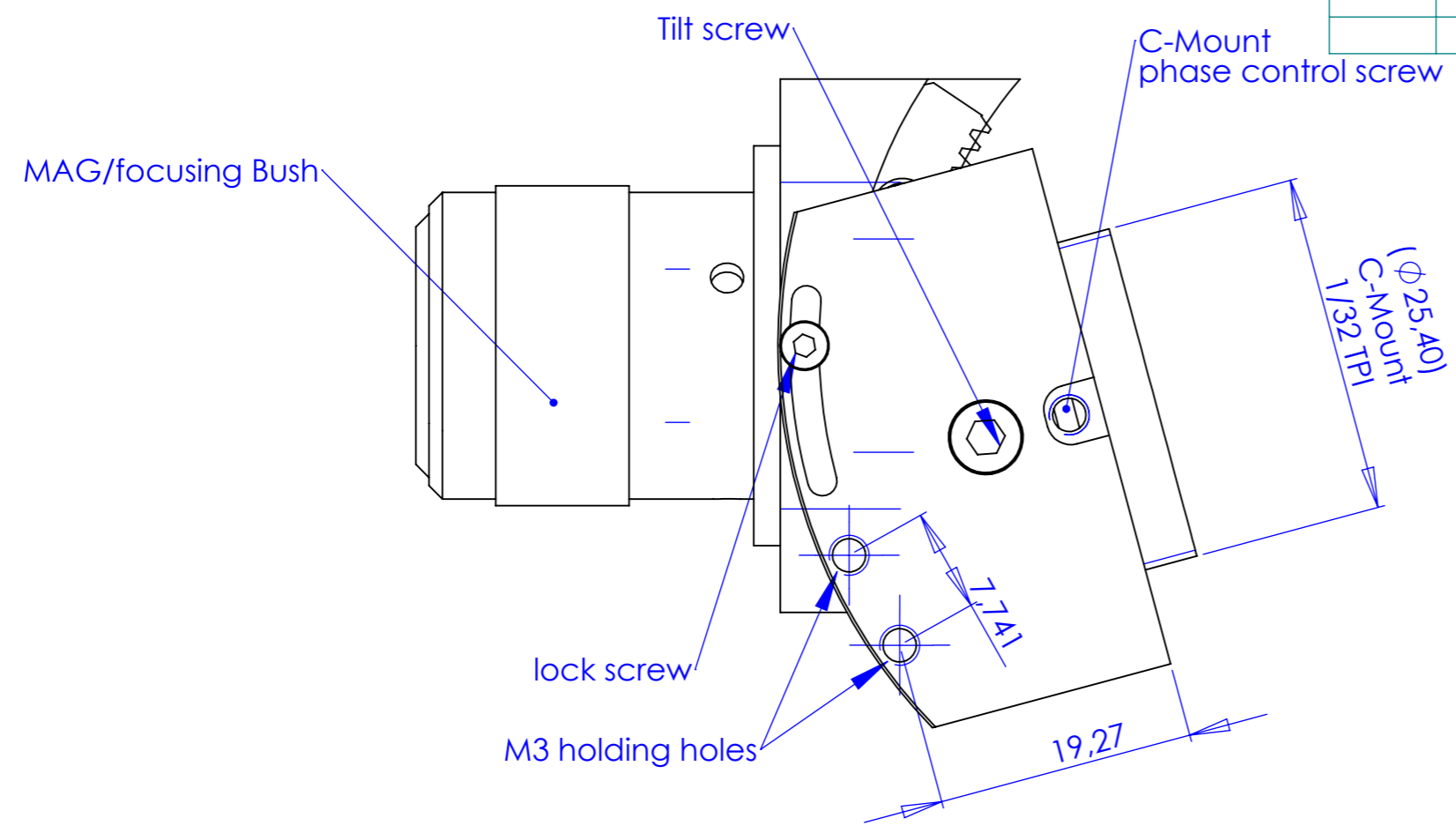


Rev No.	Description	Date	Name



Material	N.A.	Mass	157 g	Scale	2:1	
Surface treatment	N.A.	Part No.	CO50157			
Geometrical tolerance (ISO 2768-2)		Class	K	Undimensioned bevels	0.5x45°	
Linear tolerance (ISO 2768-2)		Class	m	Undimensioned radii	R 0.5	
0.5 ±3	>3± 6	>6± 30	>30± 120	>120 ±400	>400± 1000	
					>1000 ±2000	
					>2000 ±4000	
±0.1	±0.1	±0.2	±0.3	±0.5	±0.8	
					±1.2	
					±2	
 OPTO ENGINEERING S.r.l. - Mantova Italy - Tel. +39 0376 699111 - www.opto-engineering.com		Date	Name	Drawing No.	Sheet	
		Designed	14/01/2015	N.Santini	DW50157-A	1/1
		Drawn	23/07/2015	Santini		
		Checked				
Secret and confidential - All rights reserved - No copy, dissemination or circulation is allowed unless specifically authorized in writing by OPTO ENGINEERING S.r.l. - Any violation shall be legally prosecuted.						