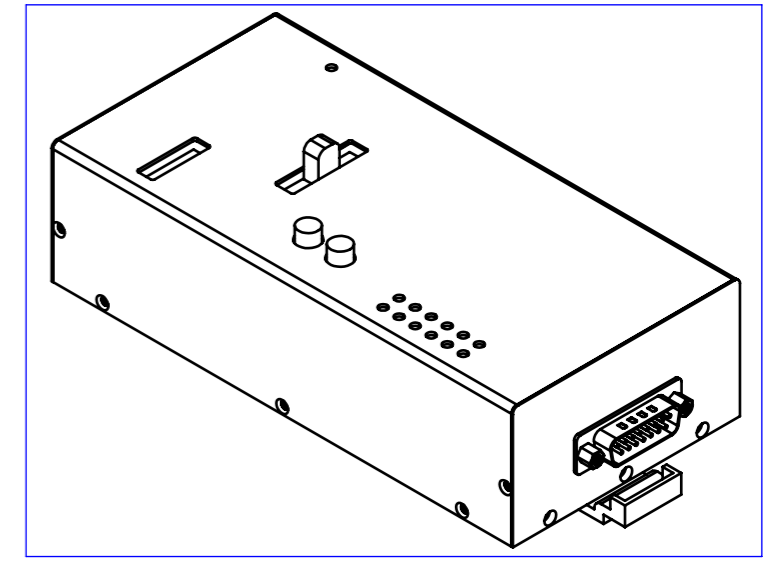
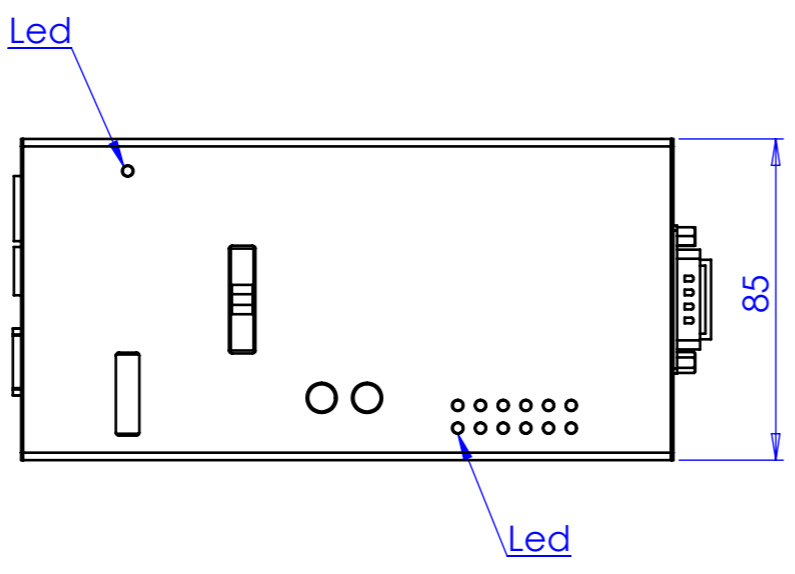
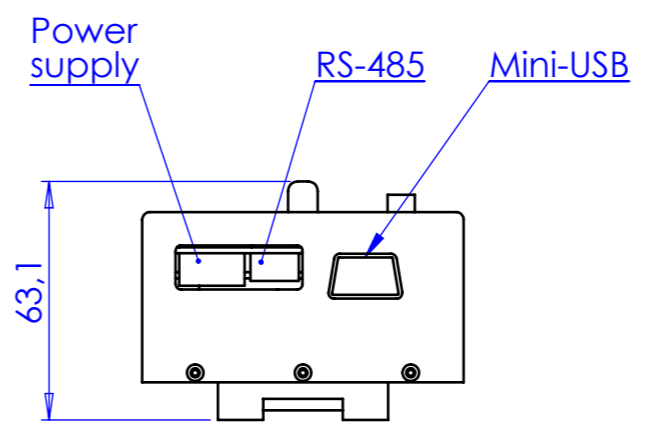
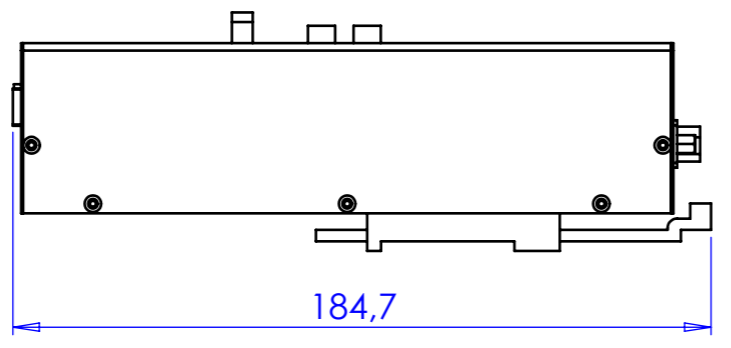
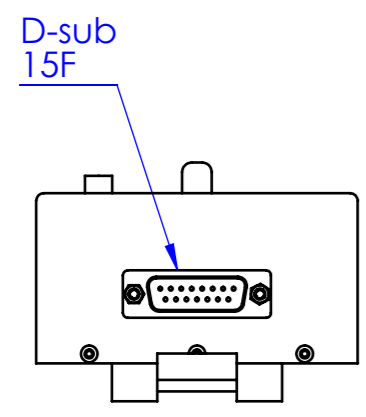
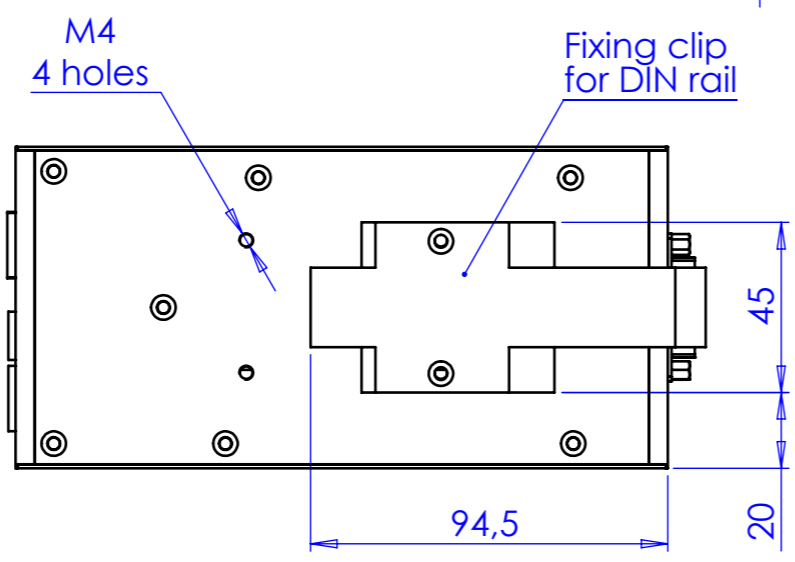



1 2 3 4 5 6 7 8

Rev No.	Description	Date	Name



Material	N.A.		Mass	543 g	Scale	1:2					
Surface treatment	N.A.		Part No.	CO24494							
Geometrical tolerance (ISO 2768-2)			Class	K	Undimensioned bevels						
Linear tolerance (ISO 2768-2)			Class	m	0,5x45°	Description MTDV3CH-00A1					
0,5 ±3	>3± 6	>6± 30	>30± 120	>120 ±400	>400± 1000		>1000 ±2000				
±0,1	±0,1	±0,2	±0,3	±0,5	±0,8	±1,2	±2	Undimensioned radii	R 0,5	Drawing No.	Sheet
			Date	Name	Drawing No.						
			Designed	01/10/2015	Rodella	DP 24494-A					
			Drawn	05/10/2015	Rodella	1/1					
all dimensions are in mm OPTO ENGINEERING S.r.l. - Mantova Italy - Tel. +39 0376 699111 - www.opto-engineering.com			Checked	Secret and confidential - All rights reserved - No copy, dissemination or circulation is allowed unless specifically authorized in writing by OPTO ENGINEERING S.r.l. - Any violation shall be legally prosecuted.							

1 2 3 4 5 6 7 8

0 1 2 3 4 5 6 7 8 9 10