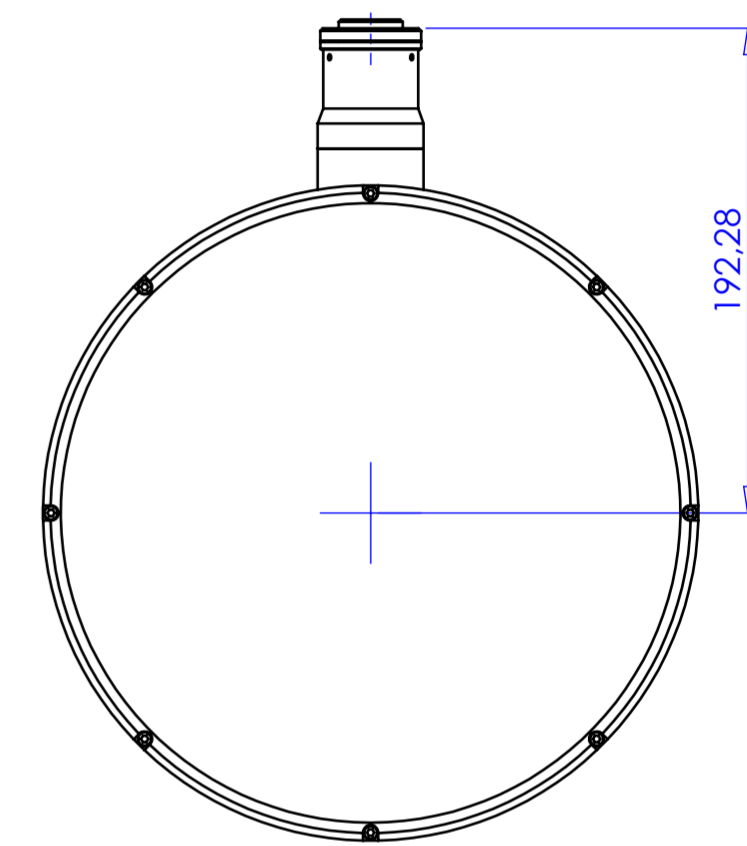
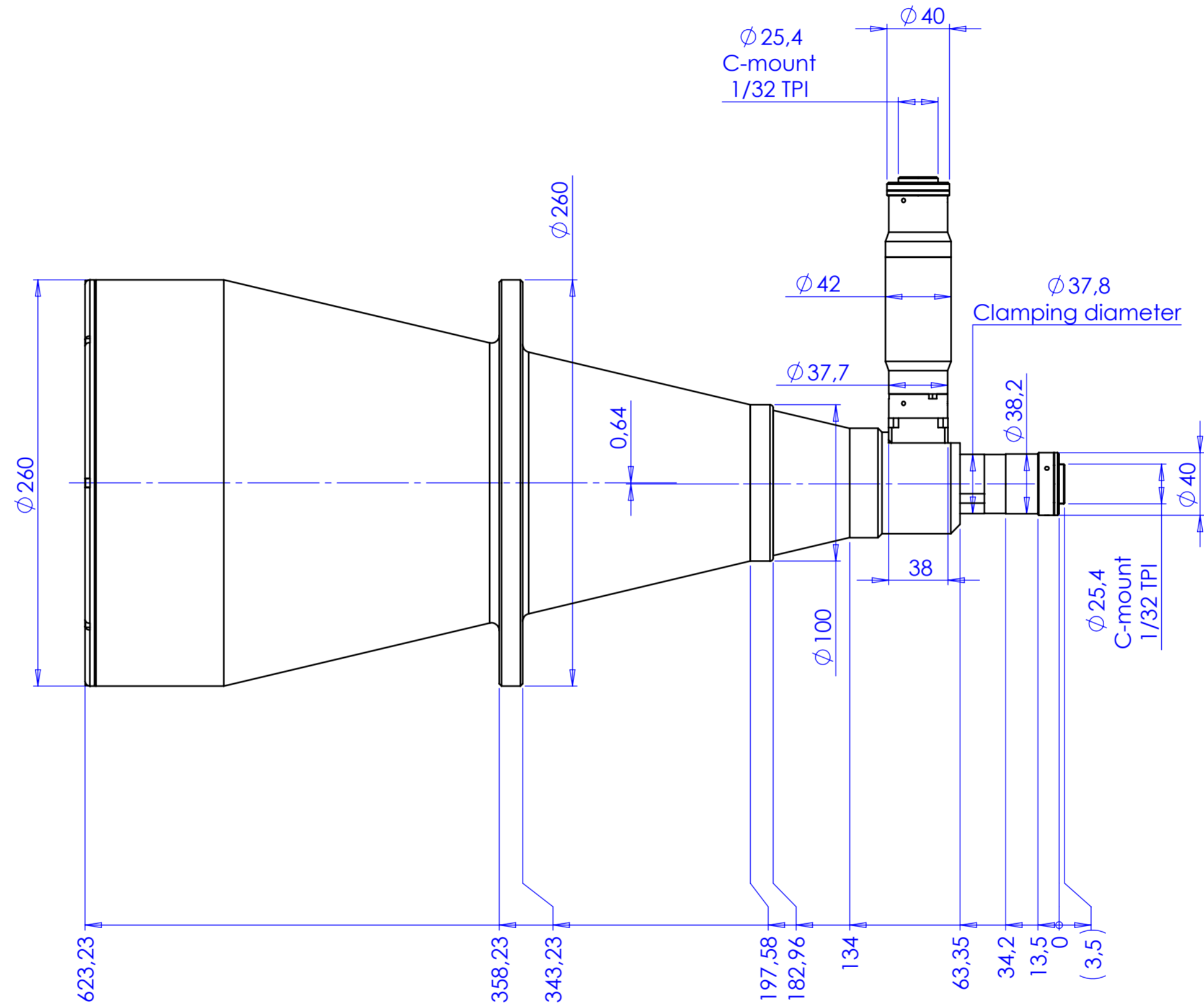
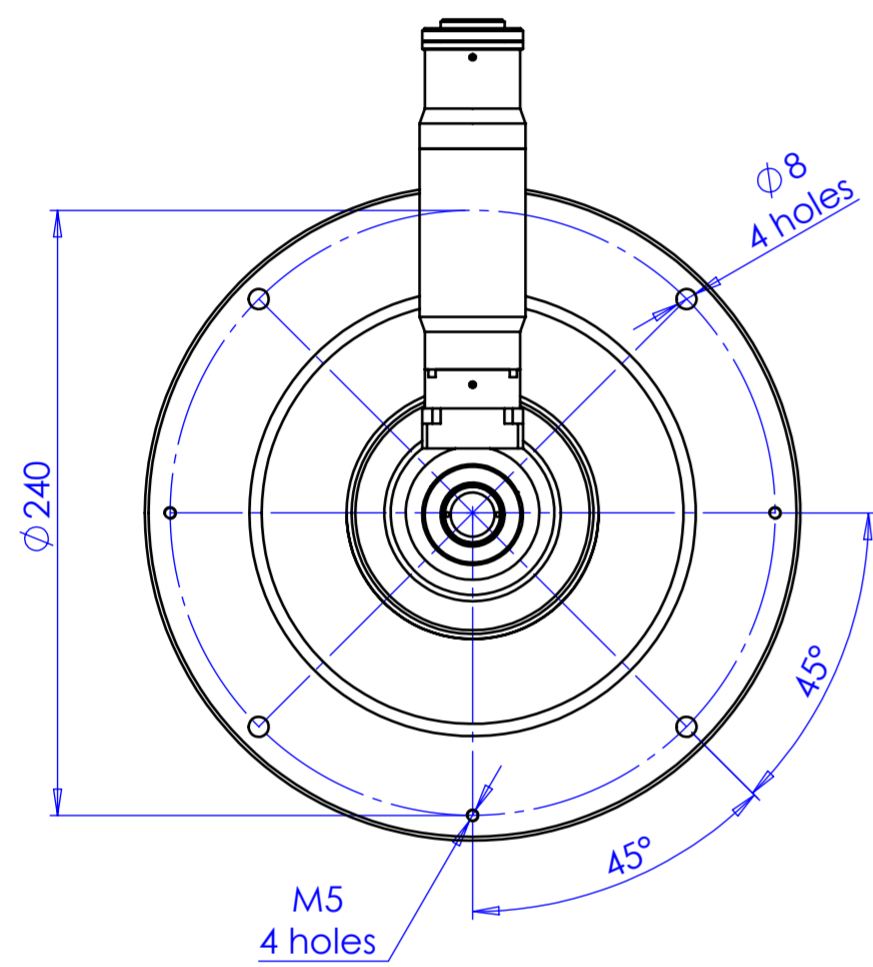


Rev No.	Description	Date	Name



Material	N.A.	Mass	10567 g	Scale	1:3					
Surface treatment	N.A.	Part No.	CO24465							
Geometrical tolerance (ISO 2768-2)	Class	K	Undimensioned bevels	0.5x45°	Description					
Linear tolerance (ISO 2768-2)	Class	m	Undimensioned radii	R 0.5	TC2DP23C4XC192					
0.5 +3	>3+	>6+	>30+	>120	>400+	>1000	>2000	>4000	Drawing No. <b>DP 24465-A</b>	Sheet <b>1/1</b>
±0.1	±0.1	±0.2	±0.3	±0.5	±0.8	±1.2	±2			
Date		Name		Drawing No.		Sheet				
Designed		26/03/2015		Rodella		Drawing No.		DP 24465-A		
Drawn		29/09/2015		Rodella		Drawing No.		DP 24465-A		
Checked						Drawing No.		DP 24465-A		
<p>OPTO ENGINEERING S.r.l. - Mantova Italy - Tel. +39 0376 699111 - www.opto-engineering.com</p> <p><i>Secret and confidential - All rights reserved - No copy, dissemination or circulation is allowed unless specifically authorized in writing by OPTO ENGINEERING S.r.l. - Any violation shall be legally prosecuted.</i></p>										