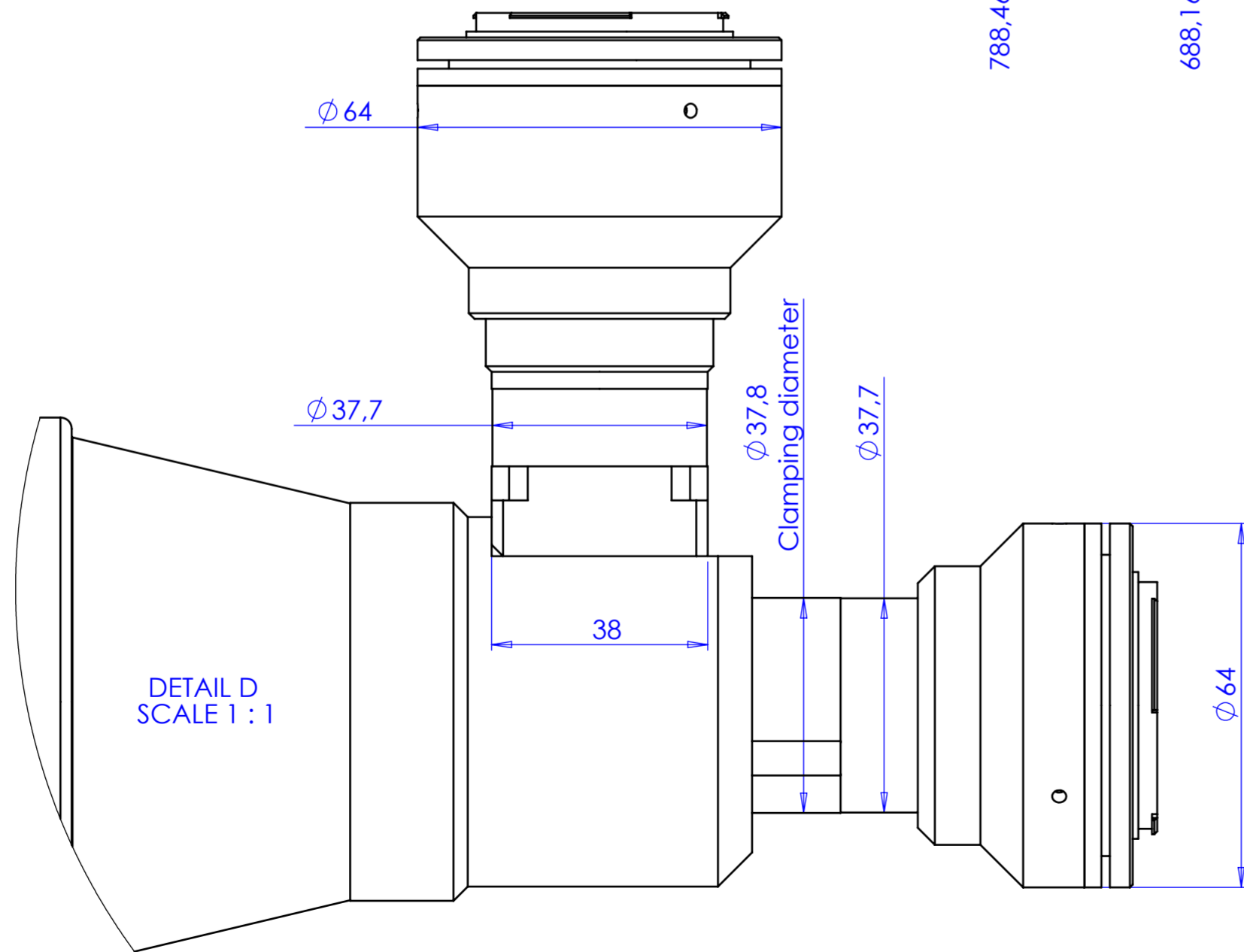
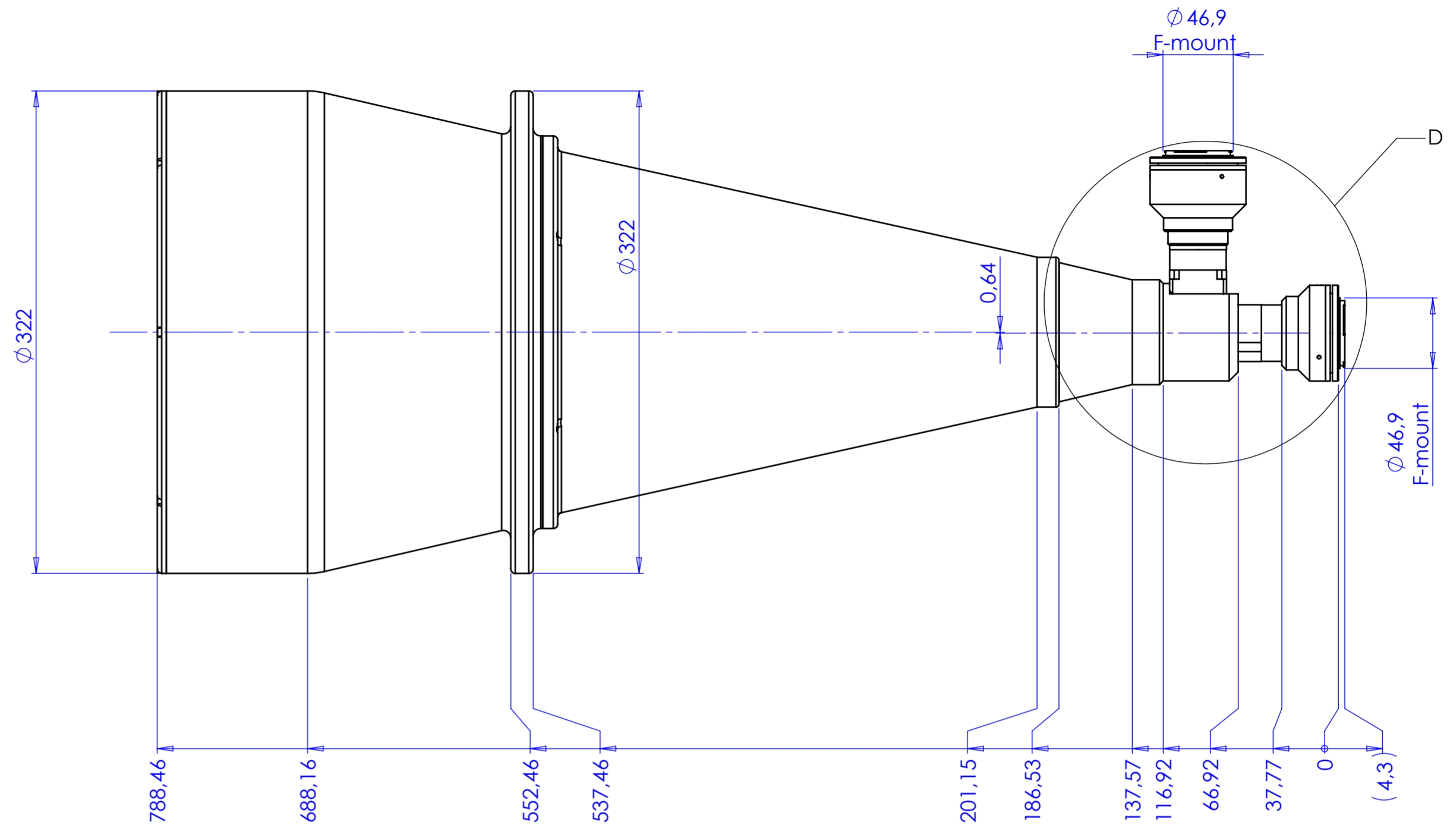
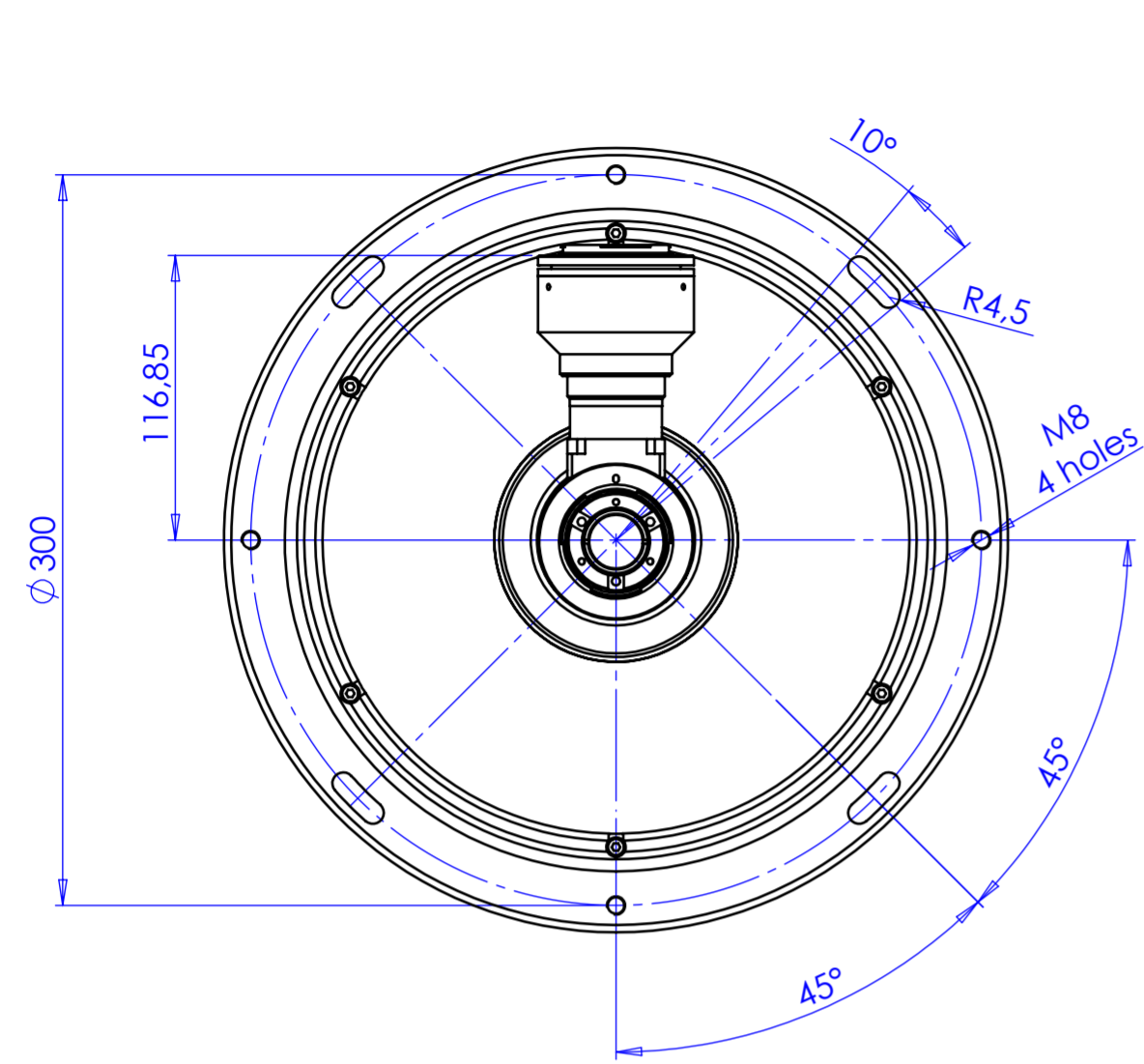


Rev No.	Description	Date	Name



Material	N.A.	Mass	19051 g	Scale	1:3					
Surface treatment	N.A.	Part No.	CO24461							
Geometrical tolerance (ISO 2768-2)		Class	K	Undimensioned bevels	0.5x45°					
Linear tolerance (ISO 2768-2)		Class	m	Undimensioned radii	R 0.5					
0.5	>3+	>6+	>30+	>120	>400+	>1000	>2000	>4000	Description	
+3	6	30	120	+400	1000	+2000	+4000	TCDP2MF4MF240		
±0.1	±0.1	±0.2	±0.3	±0.5	±0.8	±1.2	±2	Drawing No.		
		Date	Name	Drawing No.		Sheet				
		Designed	26/03/2015	Rodella		1/1				
		Drawn	29/09/2015	Rodella						
		Checked								
OPTO ENGINEERING S.r.l. - Mantova Italy - Tel. +39 0376 699111 - www.opto-engineering.com										

Secret and confidential - All rights reserved -  
No copy, dissemination or circulation is allowed unless  
specifically authorized in writing by OPTO ENGINEERING  
S.r.l. - Any violation shall be legally prosecuted.