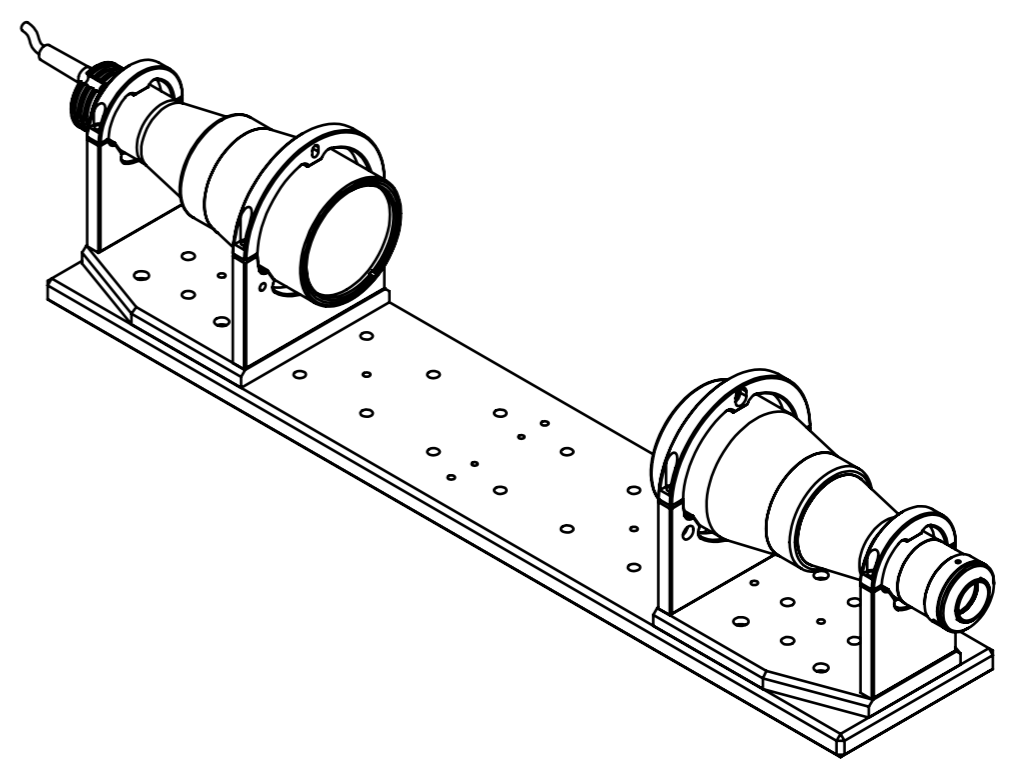


Rev No.	Description	Date	Name



W.D. = Working Distance

Material	N.A.		Mass	5322 g	Scale	1:4
Surface treatment	N.A.		Part No.	CO24391		
Geometrical tolerance (ISO 2768-2)			Class	K	Undimensioned bevels	0.5x45°
Linear tolerance (ISO 2768-2)			Class	m	Undimensioned radii	R 0.5
0.5	>3±	>6±	>30±	>120	>400±	>1000
±3	6	30	120	±400	1000	±2000
±0.1	±0.1	±0.2	±0.3	±0.5	±0.8	±1.2
±0.1	±0.1	±0.2	±0.3	±0.5	±0.8	±1.2
Date			Name		Description	
Designed			Rodella		TCEV23048-G	
Drawn			Rodella		Drawing No.	
Checked					DP 24391 -A	
Date			Name		Sheet	
19/08/2015			Rodella		1/1	
<p>all dimensions are in mm</p> <p>OPTO ENGINEERING S.r.l. - Mantova Italy - Tel. +39 0376 699111 - www.opto-engineering.com</p> <p>Secret and confidential - All rights reserved - No copy, dissemination or circulation is allowed unless specifically authorized in writing by OPTO ENGINEERING S.r.l. - Any violation shall be legally prosecuted.</p>						