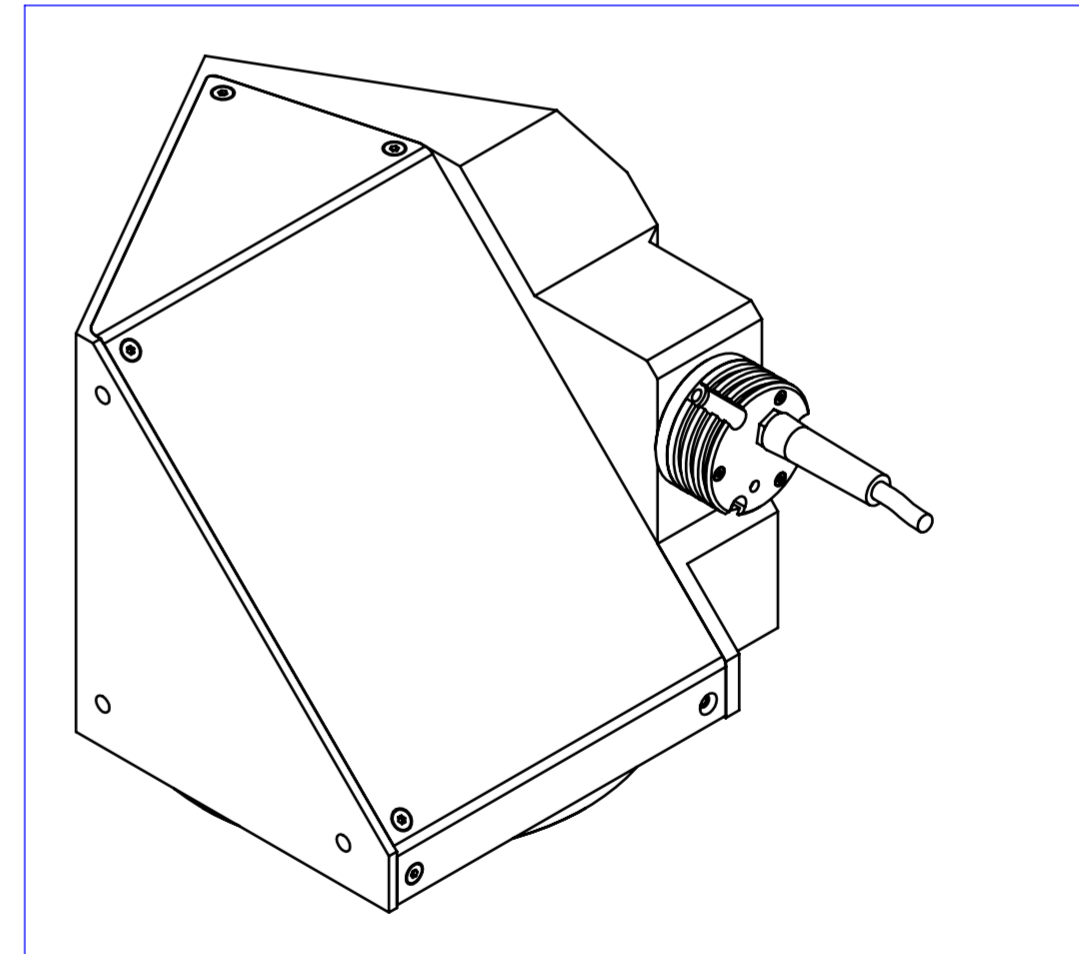
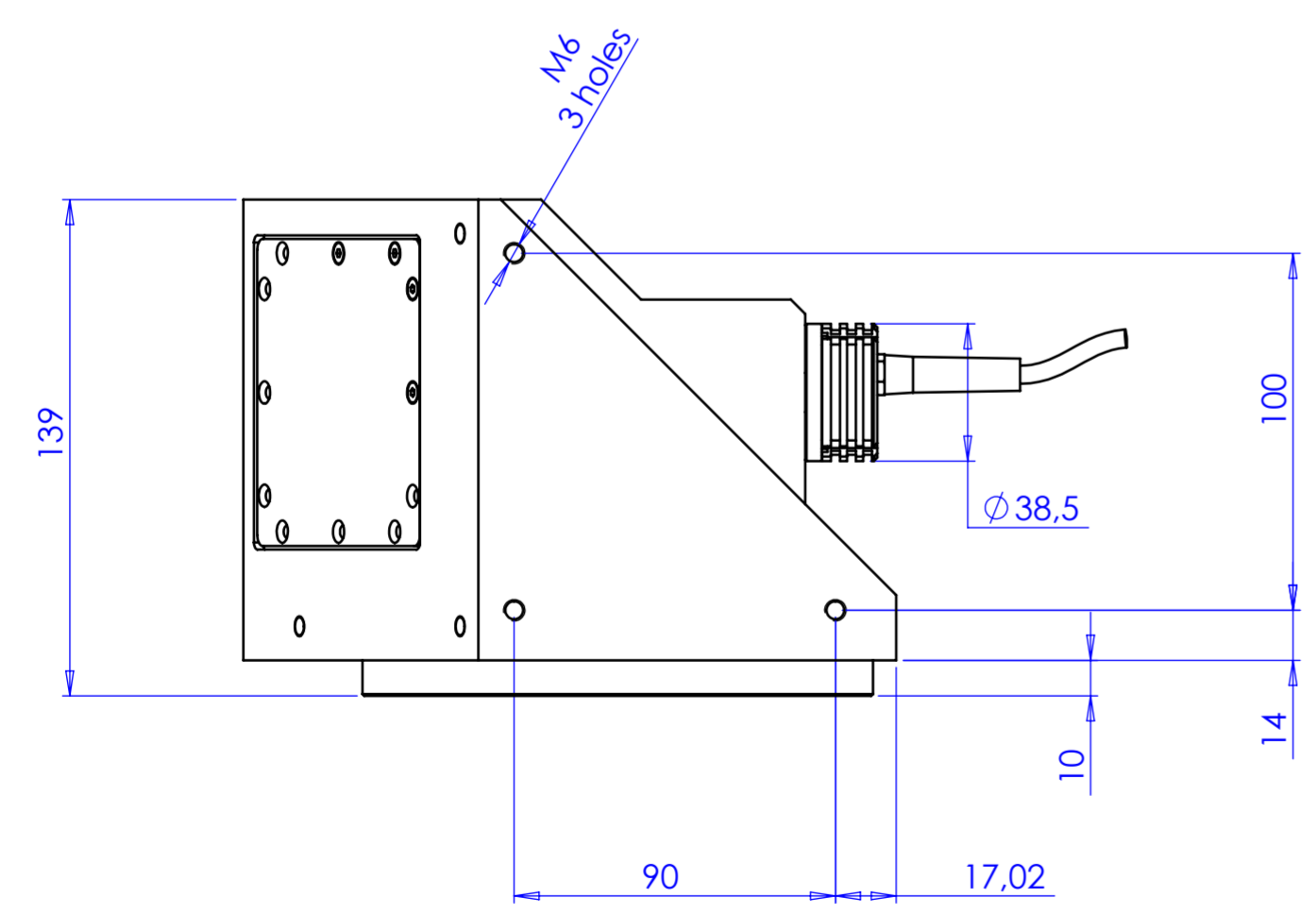
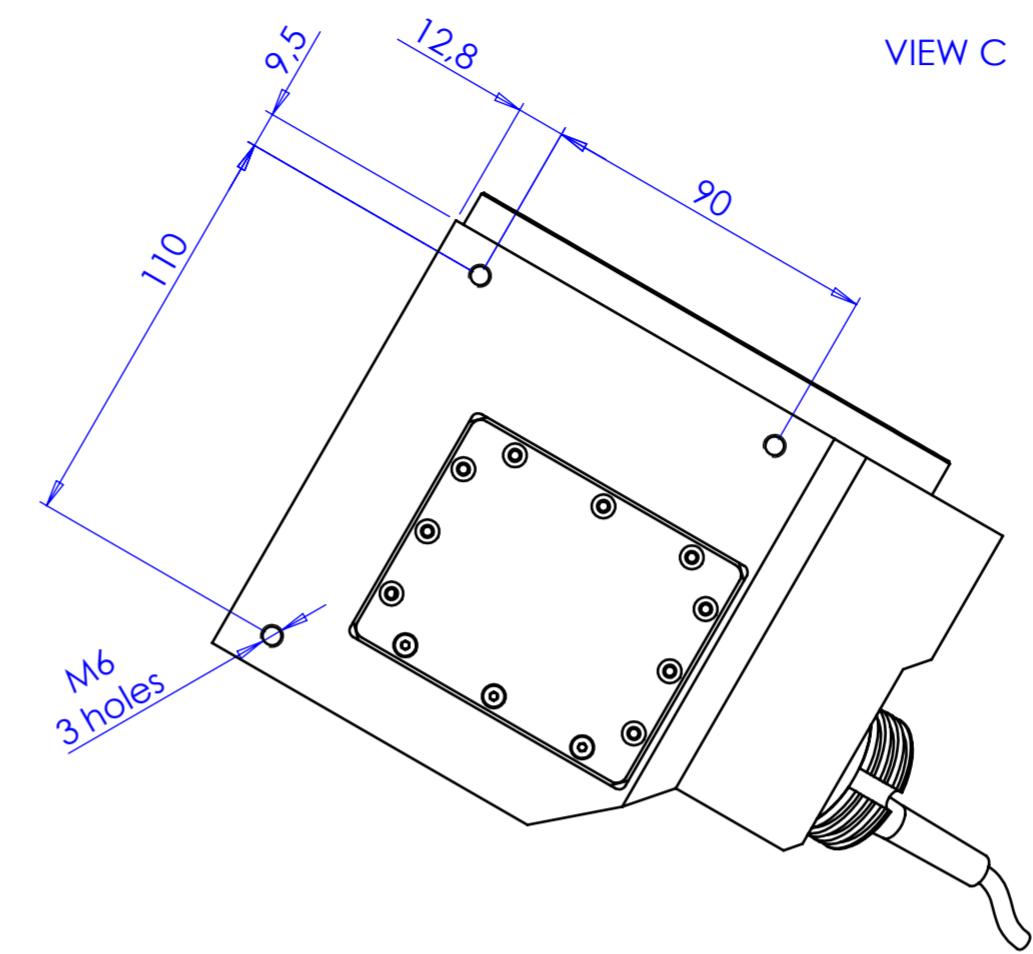
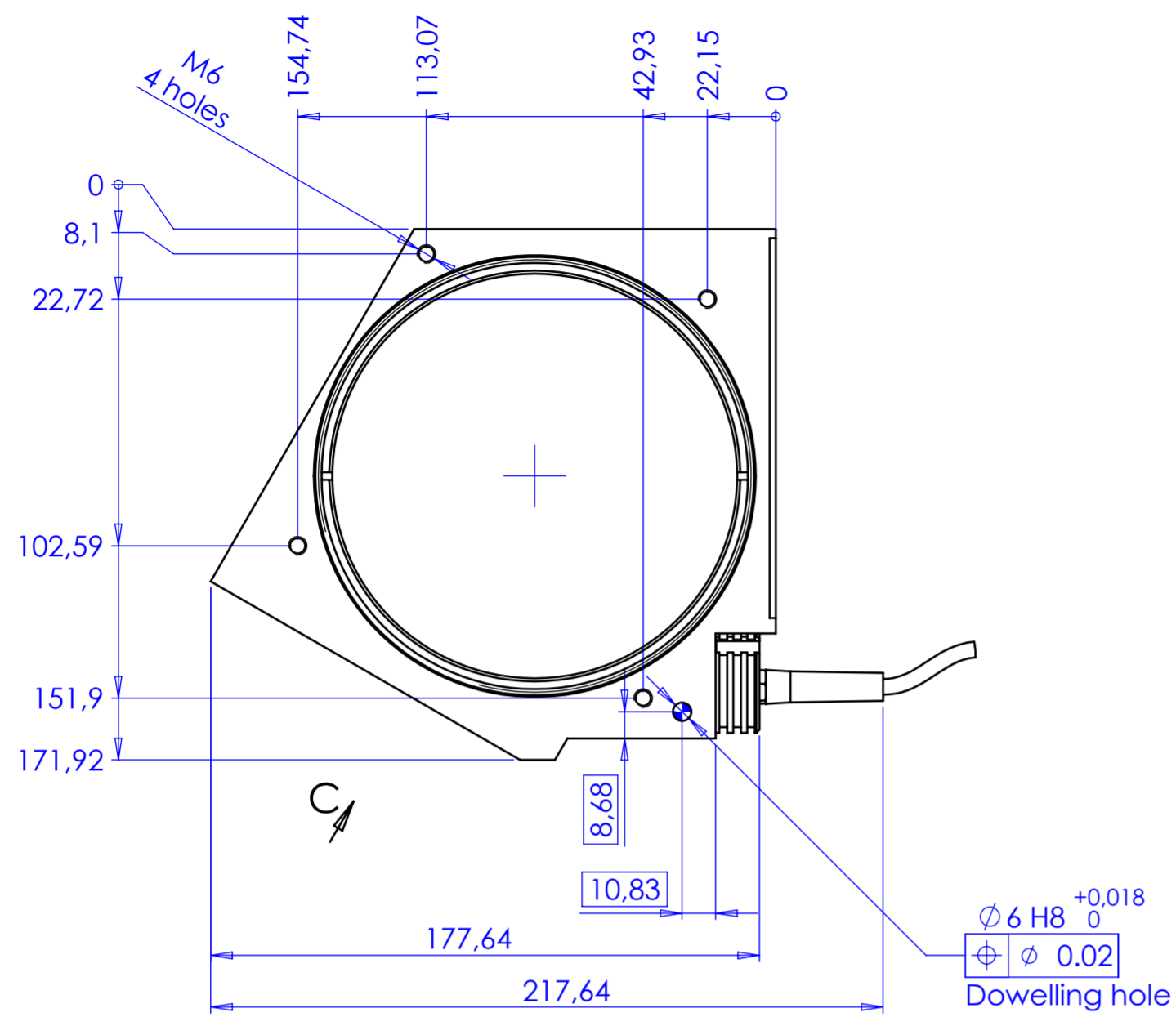


Rev No.	Description	Date	Name



Material	N.A.	Mass	4182 g	Scale	1:2		
Surface treatment	N.A.	Part No.	CO24317				
Geometrical tolerance (ISO 2768-2)	Class	K	Undimensioned bevels	0,5x45°	Description		
Linear tolerance (ISO 2768-2)	Class	m	Undimensioned radii	R 0,5	LTCLCR096-W		
0,5	>3+	>6+	>30+	>120	>400+	>1000	>2000
+3	6	30	120	+400	1000	+2000	+4000
+0,1	±0,1	±0,2	±0,3	±0,5	±0,8	±1,2	±2
	Designed	05/03/2015	Vasconetto		Drawing No. DP 24317-A	Sheet 1/1	
	Drawn	24/07/2015	Rodella				
	Checked						
OPTO ENGINEERING S.r.l. - Mantova Italy - Tel. +39 0376 699111 - www.opto-engineering.com							

Secret and confidential - All rights reserved - No copy, dissemination or circulation is allowed unless specifically authorized in writing by OPTO ENGINEERING S.r.l. - Any violation shall be legally prosecuted.