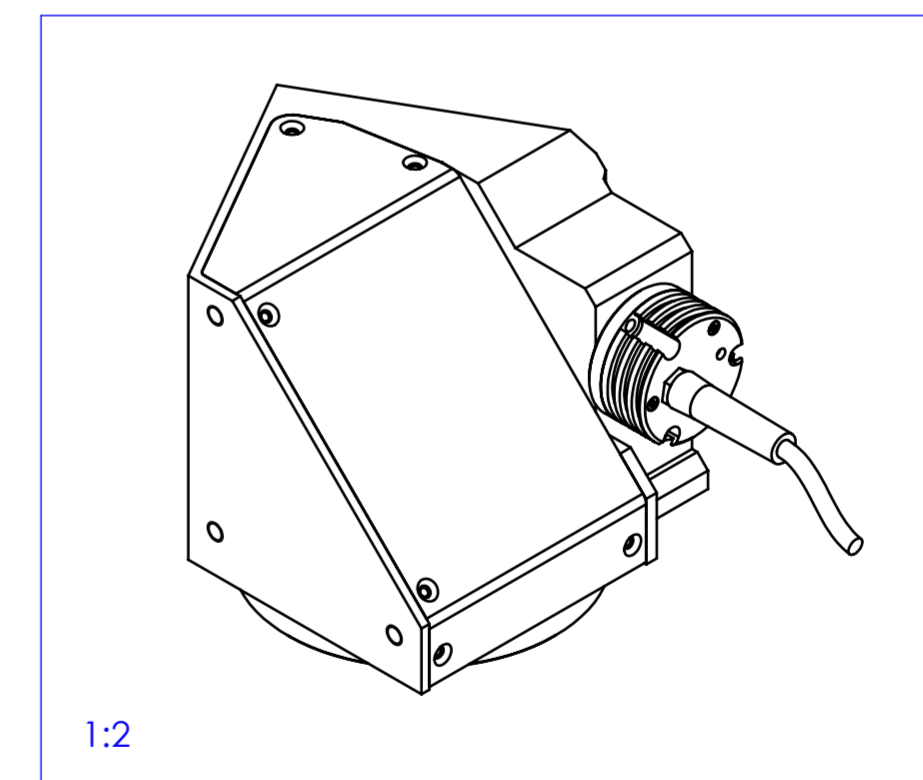
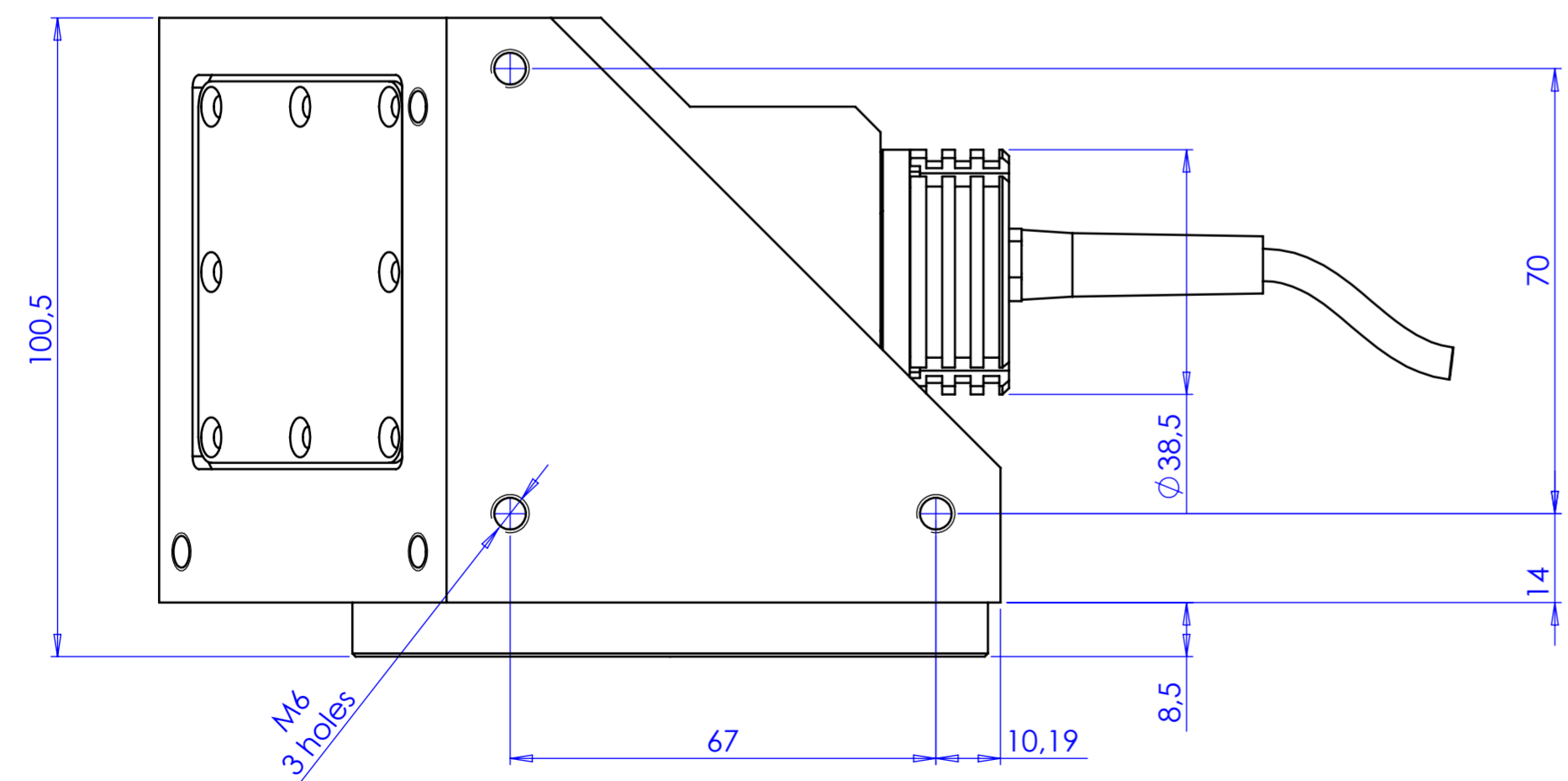
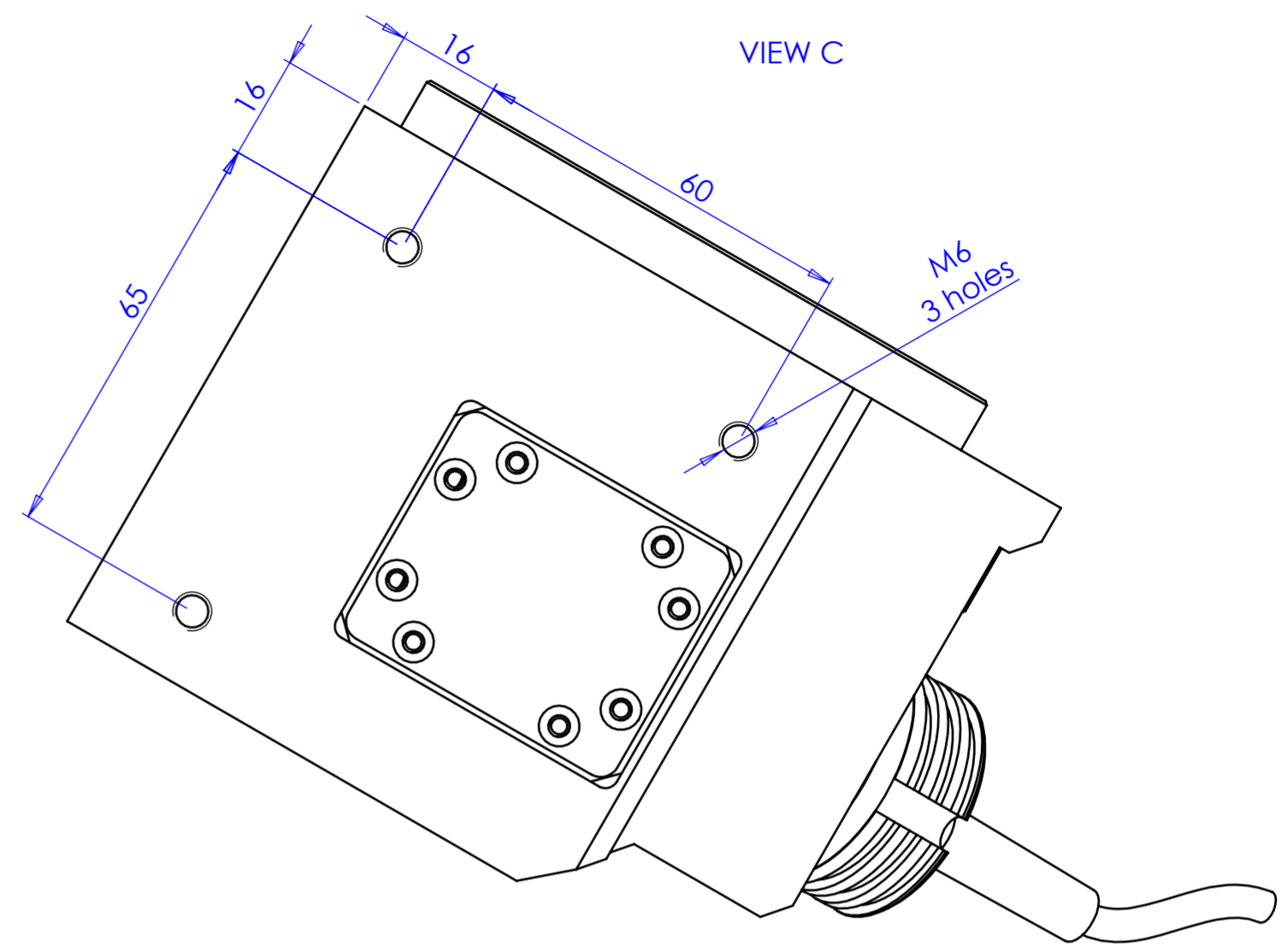
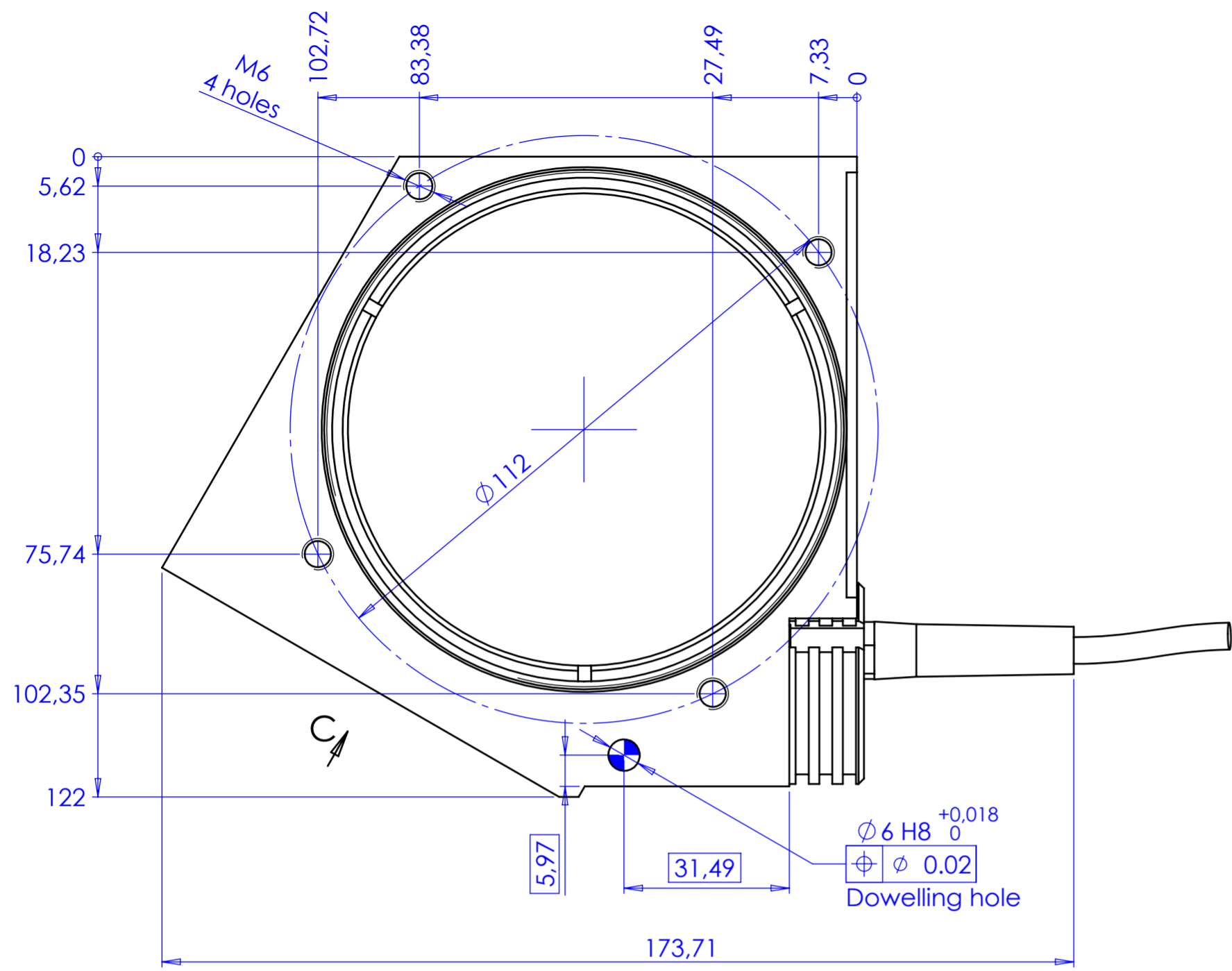


Rev No.	Description	Date	Name



Material	N.A.	Mass	1832 g	Scale	1:1						
Surface treatment	N.A.	Part No.	CO24307								
Geometrical tolerance (ISO 2768-2)	Class	K	Undimensioned bevels	0.5x45°	Description						
Linear tolerance (ISO 2768-2)	0.5	>3+	>6+	>30+	>120	>400+	>1000	>2000	Undimensioned radii	R 0.5	LTCLCR064-G
	+3	6	30	120	+400	1000	+2000	+4000			
	±0.1	±0.1	±0.2	±0.3	±0.5	±0.8	±1.2	±2			
 OPTO ENGINEERING S.r.l. - Mantova Italy - Tel. +39 0376 699111 - www.opto-engineering.com	Designed	04/05/2015	Vasconetto	Date	Name	Drawing No.	Sheet				
	Drawn	24/07/2015	Rodella			DP 24307-A	1/1				
	Checked										

Secret and confidential - All rights reserved -  
 No copy, dissemination or circulation is allowed unless  
 specifically authorized in writing by OPTO ENGINEERING  
 S.r.l. - Any violation shall be legally prosecuted.