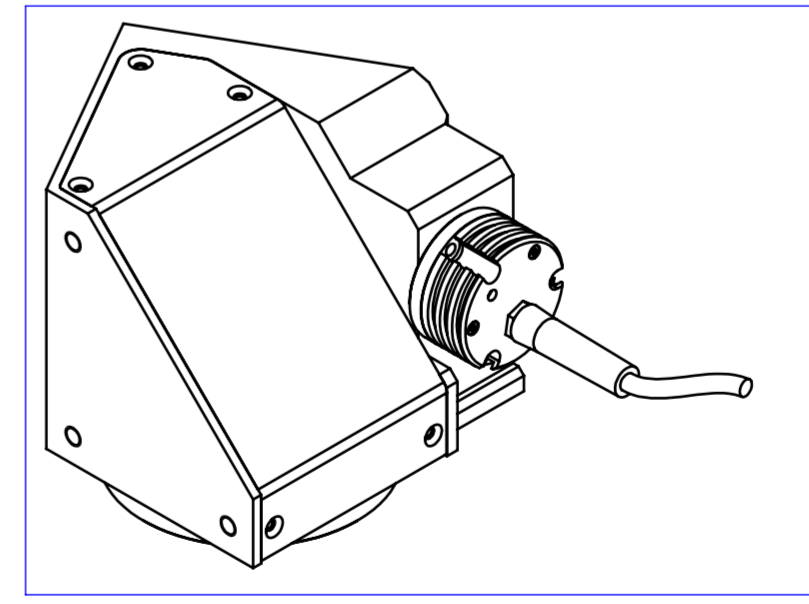
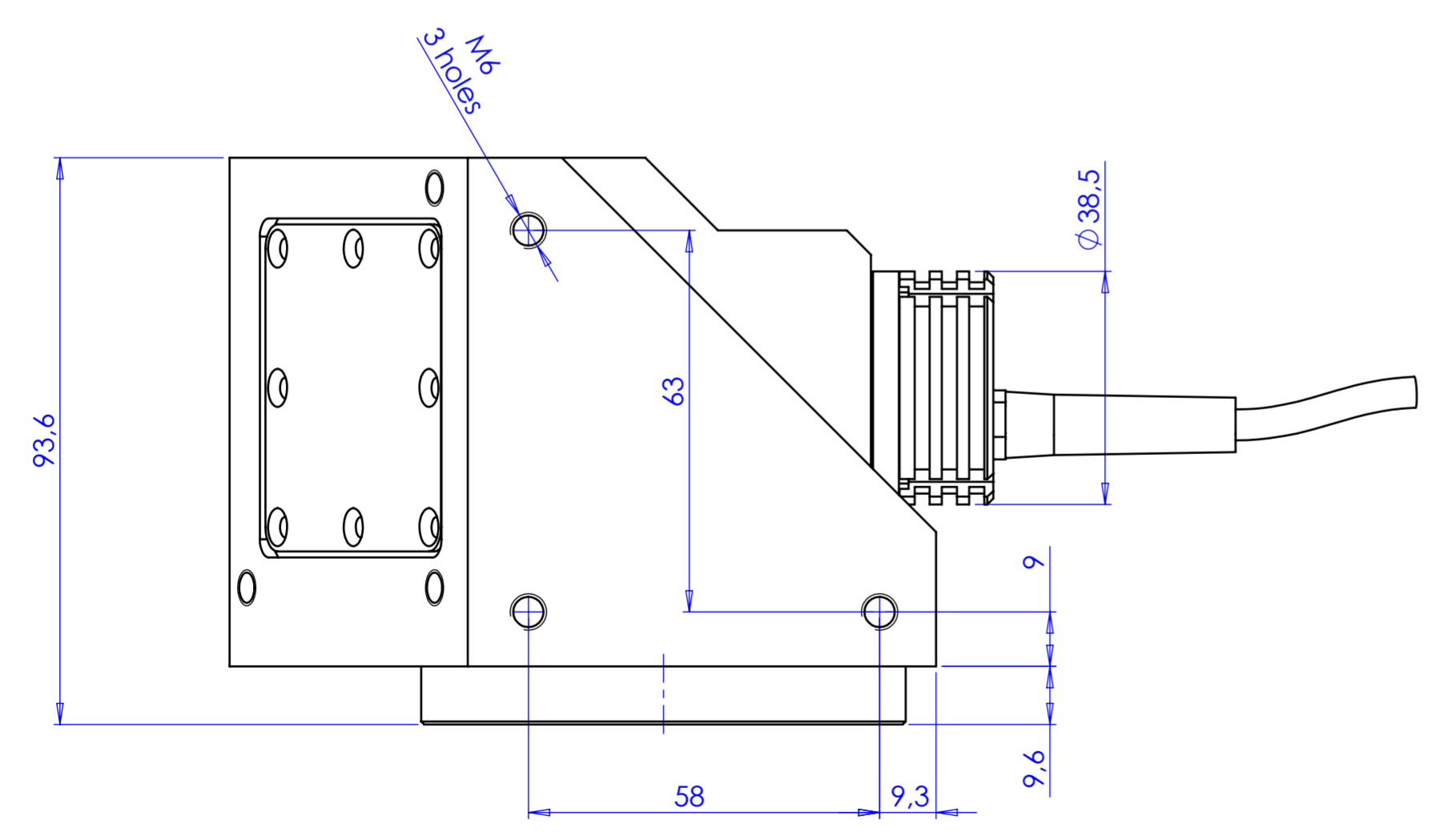
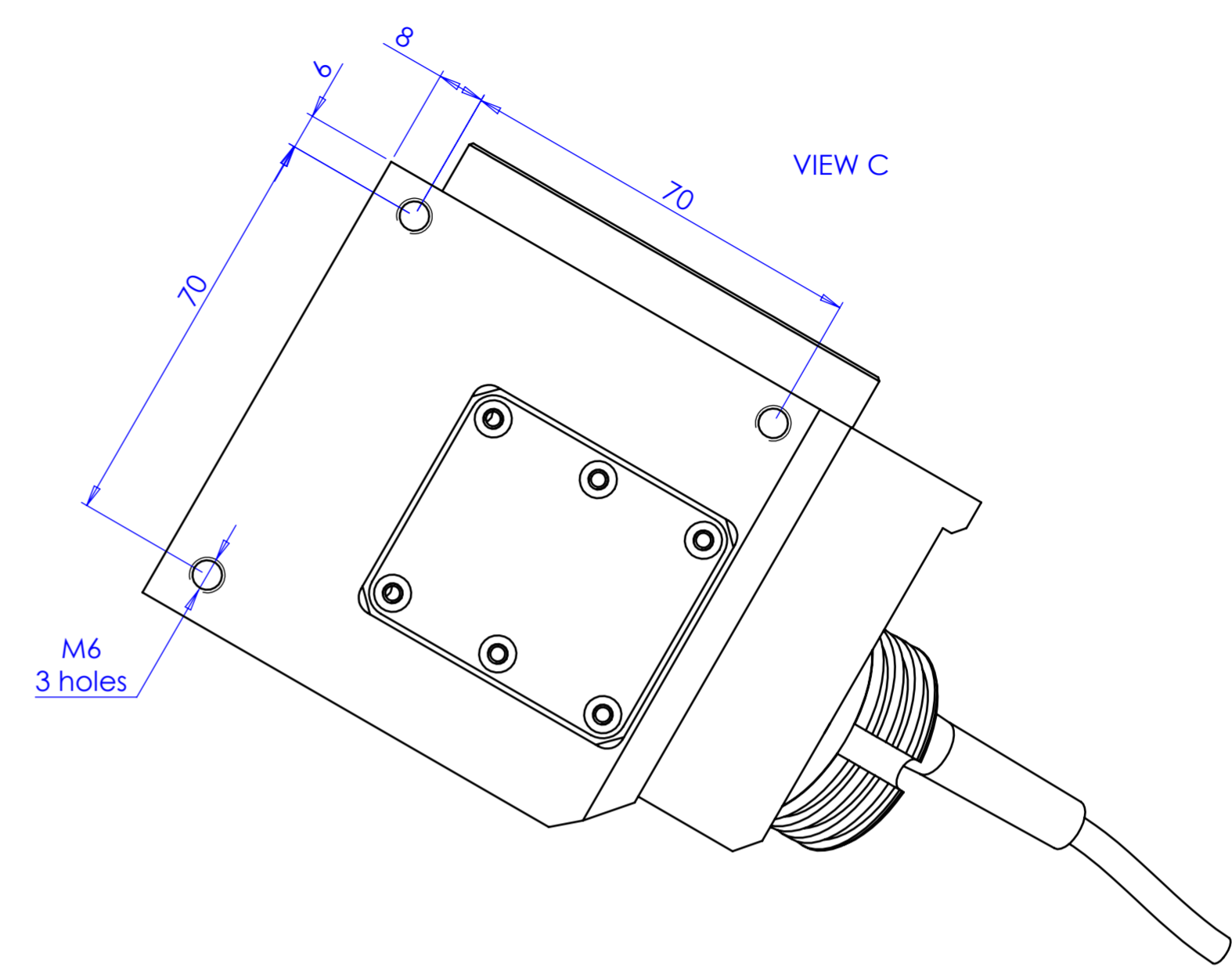
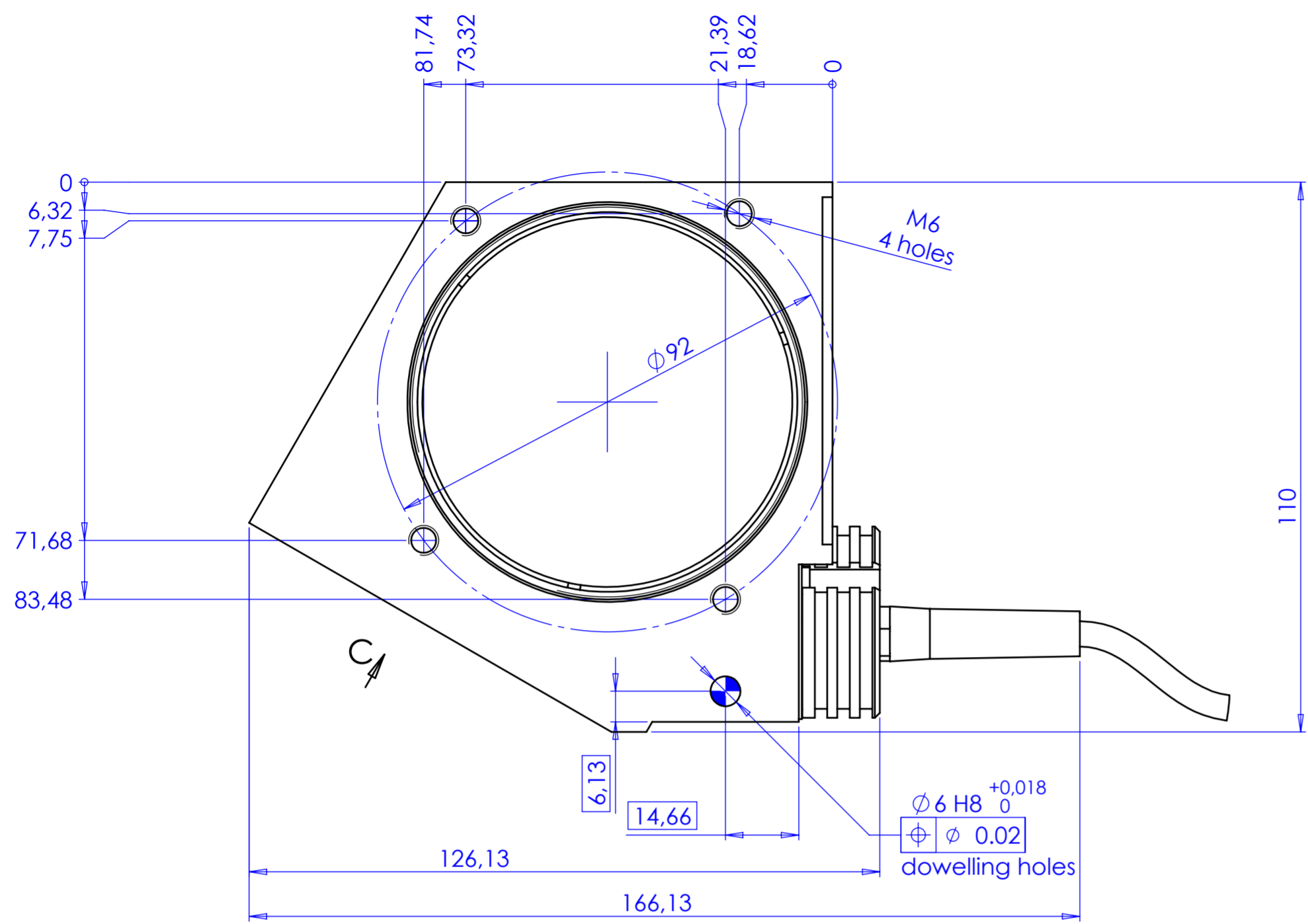


Rev No.	Description	Date	Name



Material	N.A.	Mass	g	Scale	1:1								
Surface treatment	N.A.	Part No.	CO24303										
Geometrical tolerance (ISO 2768-2)	Class	K	Undimensioned bevels	0.5x45°	Description								
Linear tolerance (ISO 2768-2)	Class	m	Undimensioned radii	R 0.5	LTCLCR056-G								
0.5	>3+	>6+	>30+	>120	>400+	>1000	>2000	>4000	Drawing No.	DP 24303-A	Sheet		
+3	6	30	120	+400	1000	+2000	+4000	Date				Name	1/1
+0.1	+0.1	+0.2	+0.3	+0.5	+0.8	+1.2	+2						
Designed		24/07/2015		Rodella		Checked		Date		Name			
<p>OPTO ENGINEERING S.r.l. - Mantova Italy - Tel. +39 0376 699111 - www.opto-engineering.com</p> <p><i>Secret and confidential - All rights reserved - No copy, dissemination or circulation is allowed unless specifically authorized in writing by OPTO ENGINEERING S.r.l. - Any violation shall be legally prosecuted.</i></p>													

all dimensions are in mm