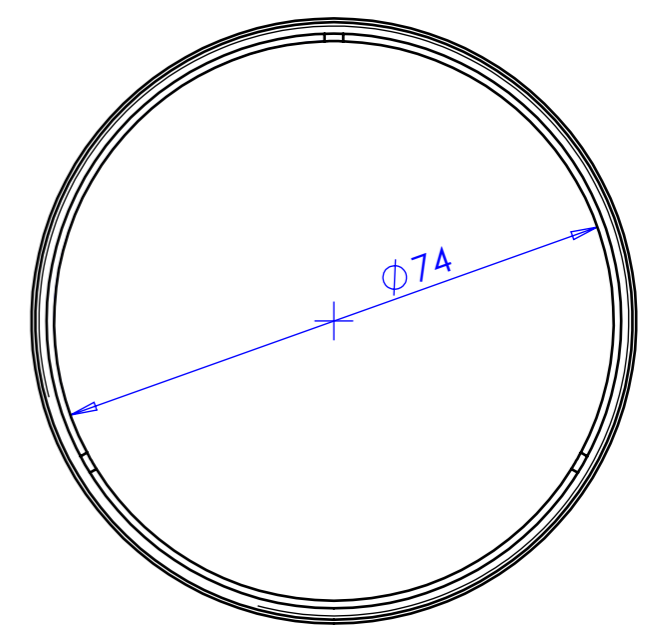
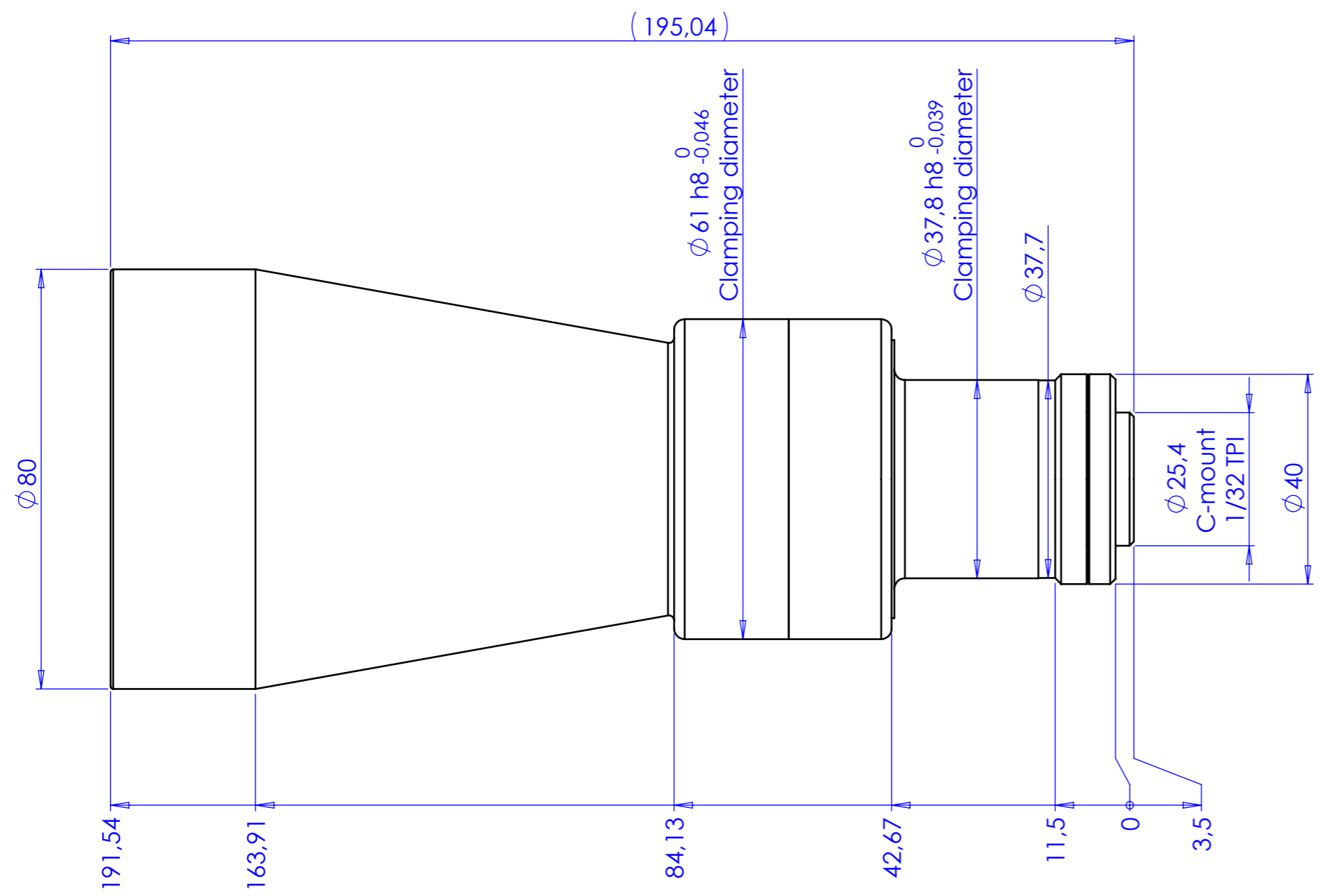


Rev No.	Description	Date	Name



D
C
B
A

D
C
B
A

Material	N.A.		Mass	816 g	Scale	1:1																		
Surface treatment	N.A.		Part No.	CO24147																				
Geometrical tolerance (ISO 2768-2)			Description																					
<table border="1"> <thead> <tr> <th>Linear tolerance (ISO 2768-2)</th> <th>Class</th> <th>K</th> <th>Undimensioned bevels</th> <th>0.5x45°</th> <th rowspan="2">Description</th> </tr> </thead> <tbody> <tr> <td>0.5 ±3</td> <td>>3± 6</td> <td>>6± 30</td> <td>>30± 120</td> <td>>120 ±400</td> <td>>400± 1000</td> </tr> <tr> <td>>1000 ±2000</td> <td>>2000 ±4000</td> <td>Class</td> <td>m</td> <td>Undimensioned radii</td> <td>R 0.5</td> </tr> </tbody> </table>			Linear tolerance (ISO 2768-2)	Class	K	Undimensioned bevels	0.5x45°	Description	0.5 ±3	>3± 6	>6± 30	>30± 120	>120 ±400	>400± 1000	>1000 ±2000	>2000 ±4000	Class	m	Undimensioned radii	R 0.5	Obiettivo TC13056			
Linear tolerance (ISO 2768-2)	Class	K	Undimensioned bevels	0.5x45°	Description																			
0.5 ±3	>3± 6	>6± 30	>30± 120	>120 ±400		>400± 1000																		
>1000 ±2000	>2000 ±4000	Class	m	Undimensioned radii	R 0.5																			
			Date	Name	Drawing No.	Sheet																		
Designed 20/03/2014 Santini Drawn 19/06/2015 Rodella Checked			DP 24147-A		1/1																			
all dimensions are in mm OPTO ENGINEERING S.r.l. - Mantova Italy - Tel. +39 0376 699111 - www.opto-engineering.com Secret and confidential - All rights reserved - No copy, dissemination or circulation is allowed unless specifically authorized in writing by OPTO ENGINEERING S.r.l. - Any violation shall be legally prosecuted.																								