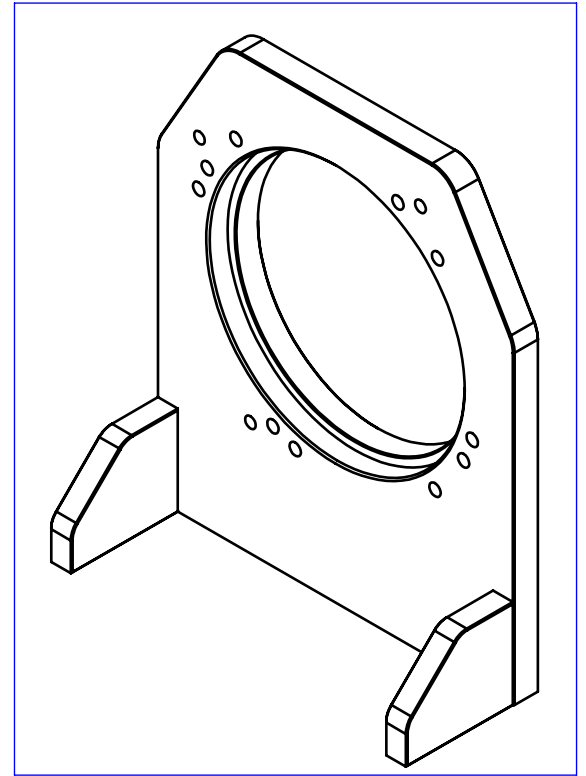
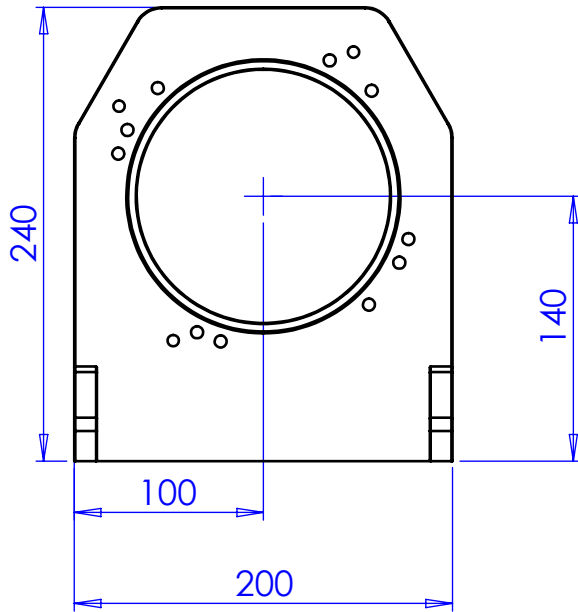
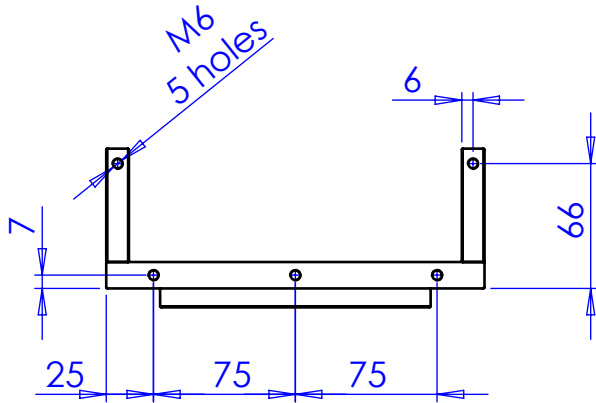


1	2	3	4
Rev No.	Description	Date	Name
B	Modificato peso	14/04/2016	Rodella



Material		N.A.			Mass	1297 g	Scale	1:4	
Surface treatment		N.A.			Part No.	CO24128			
Geometrical tolerance (ISO 2768-2)		Class	K	Undimensioned bevels	0.5x45°				
Linear tolerance (ISO 2768-2)		Class	m	Undimensioned radii	R 0.5				
all dimensions are in mm	0.5	>3	>6	>30	>120	>400	>1000	>2000	Description Clamp System
	±3	±6	±30	±120	±400	±1000	±2000	±4000	
	±0.1	±0.1	±0.2	±0.3	±0.5	±0.8	±1.2	±2	
 OPTO ENGINEERING S.r.l. - Mantova Italy - Tel. +39 0376 699111 - www.opto-engineering.com		Date	Name	Drawing No.	Sheet				
		Designed	11/06/2015	Vasconetto	DP 24128-B	1/1			
		Drawn	28/07/2015	Rodella					
		Checked							
<i>Secret and confidential - All rights reserved - No copy, dissemination or circulation is allowed unless specifically authorized in writing by OPTO ENGINEERING S.r.l. - Any violation shall be legally prosecuted.</i>									