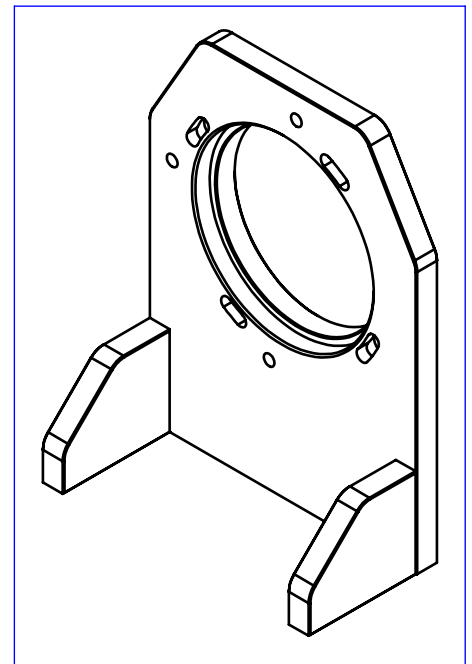
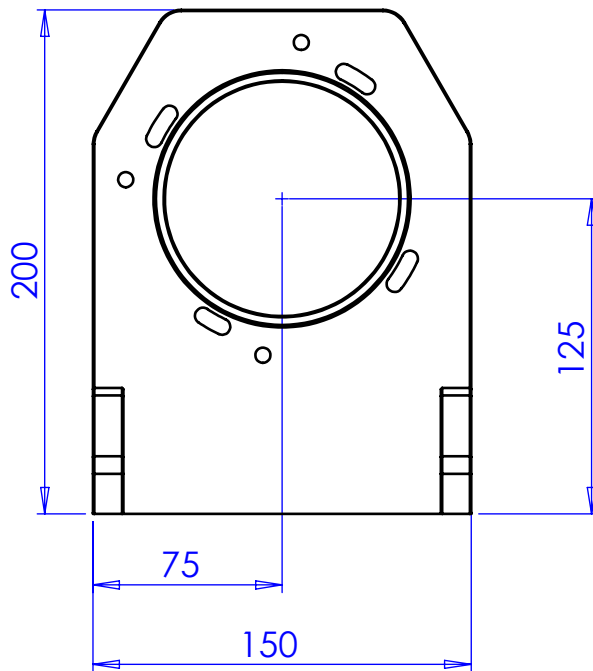
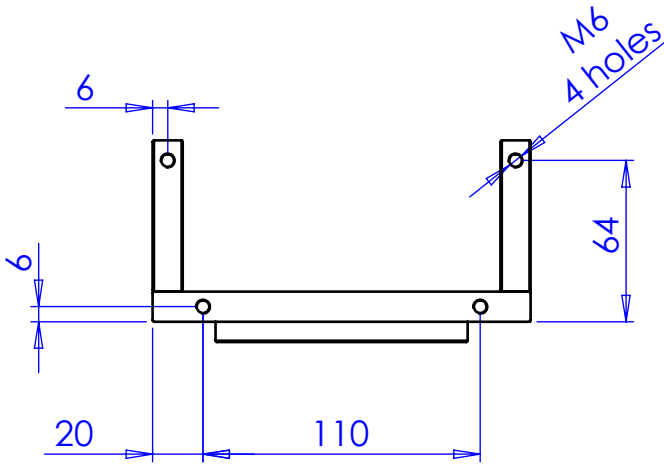



1	2	3	4
Rev No.	Description	Date	Name
B	Modificato peso	14/04/2016	Rodella



Material		N.A.		Mass		822 g		Scale		1:3						
Surface treatment		N.A.		Part No.		CO24126										
Geometrical tolerance (ISO 2768-2)		Class		K		Undimensioned bevels		0.5x45°								
Linear tolerance (ISO 2768-2)		Class		m		Undimensioned radii		R 0.5								
all dimensions are in mm	0.5	>3	>6	>30	>120	>400	>1000	>2000	Description							
	±3	±6	±30	±120	±400	±1000	±2000	Clamp System								
	±0.1	±0.1	±0.2	±0.3	±0.5	±0.8	±1.2					Drawing No.				
	±0.1	±0.1	±0.2	±0.3	±0.5	±0.8	±1.2								DP 24126-B	
Date		Name		Drawing No.		Sheet										
Designed		10/06/2015		Vasconetto		1/1										
Drawn		28/07/2015		Rodella												
Checked																
 <p>OPTO ENGINEERING S.r.l. - Mantova Italy - Tel. +39 0376 699111 - www.opto-engineering.com</p>																
<p><i>Secret and confidential - All rights reserved - No copy, dissemination or circulation is allowed unless specifically authorized in writing by OPTO ENGINEERING S.r.l. - Any violation shall be legally prosecuted.</i></p>																