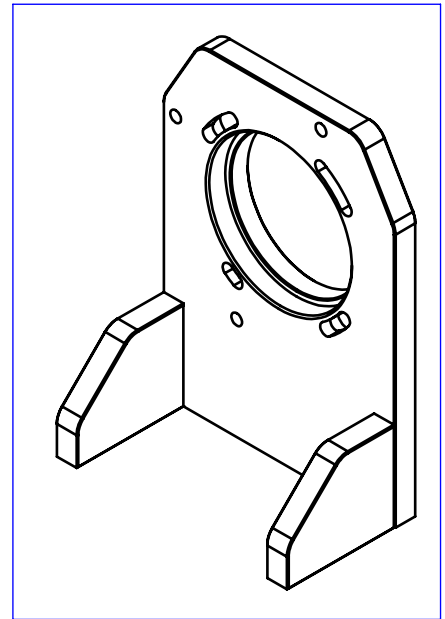
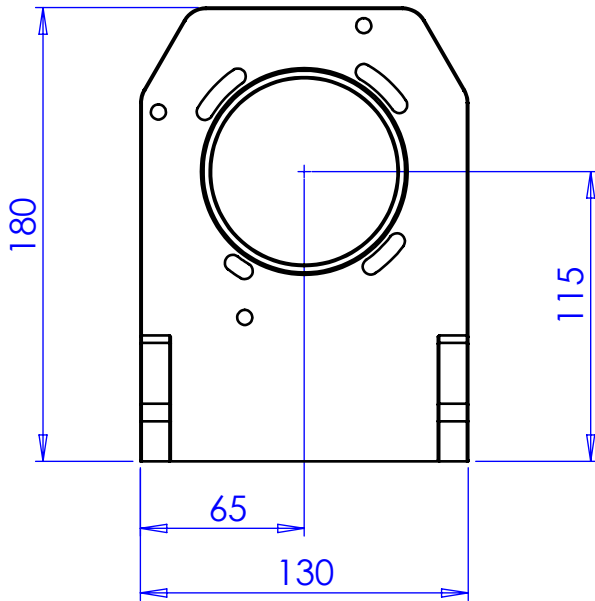
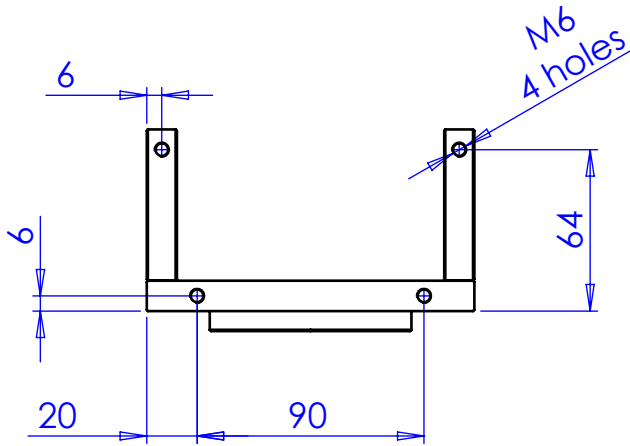


1	2	3	4
Rev No.	Description	Date	Name
B	Modificato peso	14/04/2016	Rodella



Material		N.A.			Mass	709 g	Scale	1:3
Surface treatment		N.A.			Part No.	CO24125		
all dimensions are in mm	Geometrical tolerance (ISO 2768-2)			Class	K	Undimensioned bevels		0.5x45°
	Linear tolerance (ISO 2768-2)			Class	m	Undimensioned radii		R 0.5
	0.5 ±3	>3± 6	>6± 30	>30± 120	>120 ±400	>400± 1000	>1000 ±2000	>2000 ±4000
				Date	Name		Clamp system TCCR056	
		Designed	12/06/2015	Vasconetto		Drawing No.		Sheet
		Drawn	28/07/2015	Rodella		DP 24125-B		1/1
		Checked						
<p>Secret and confidential - All rights reserved - No copy, dissemination or circulation is allowed unless specifically authorized in writing by OPTO ENGINEERING S.r.l. - Any violation shall be legally prosecuted.</p>								
<p>OPTO ENGINEERING S.r.l. - Mantova Italy - Tel. +39 0376 699111 - www.opto-engineering.com</p>								