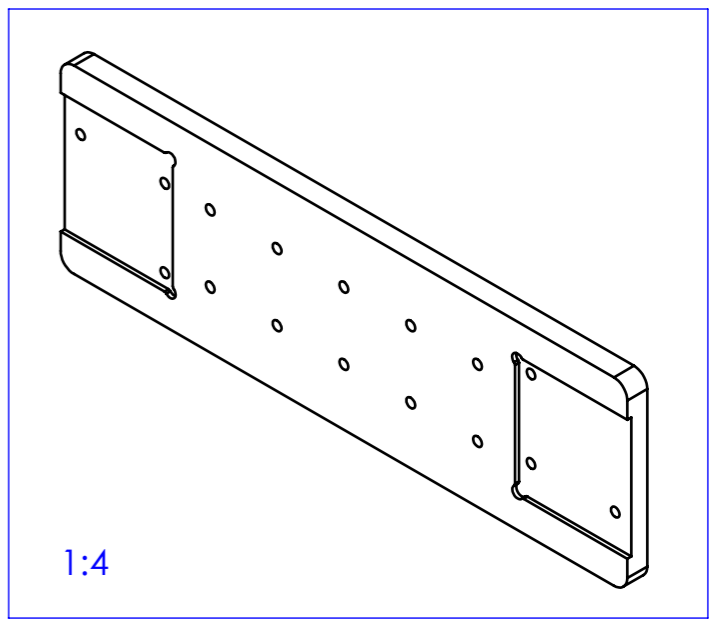
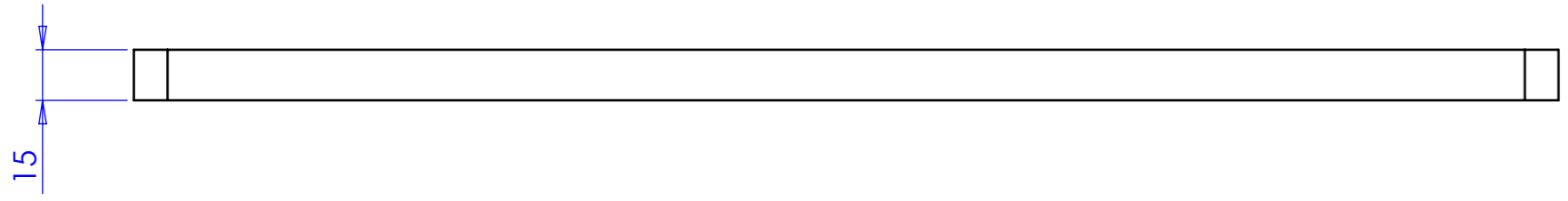
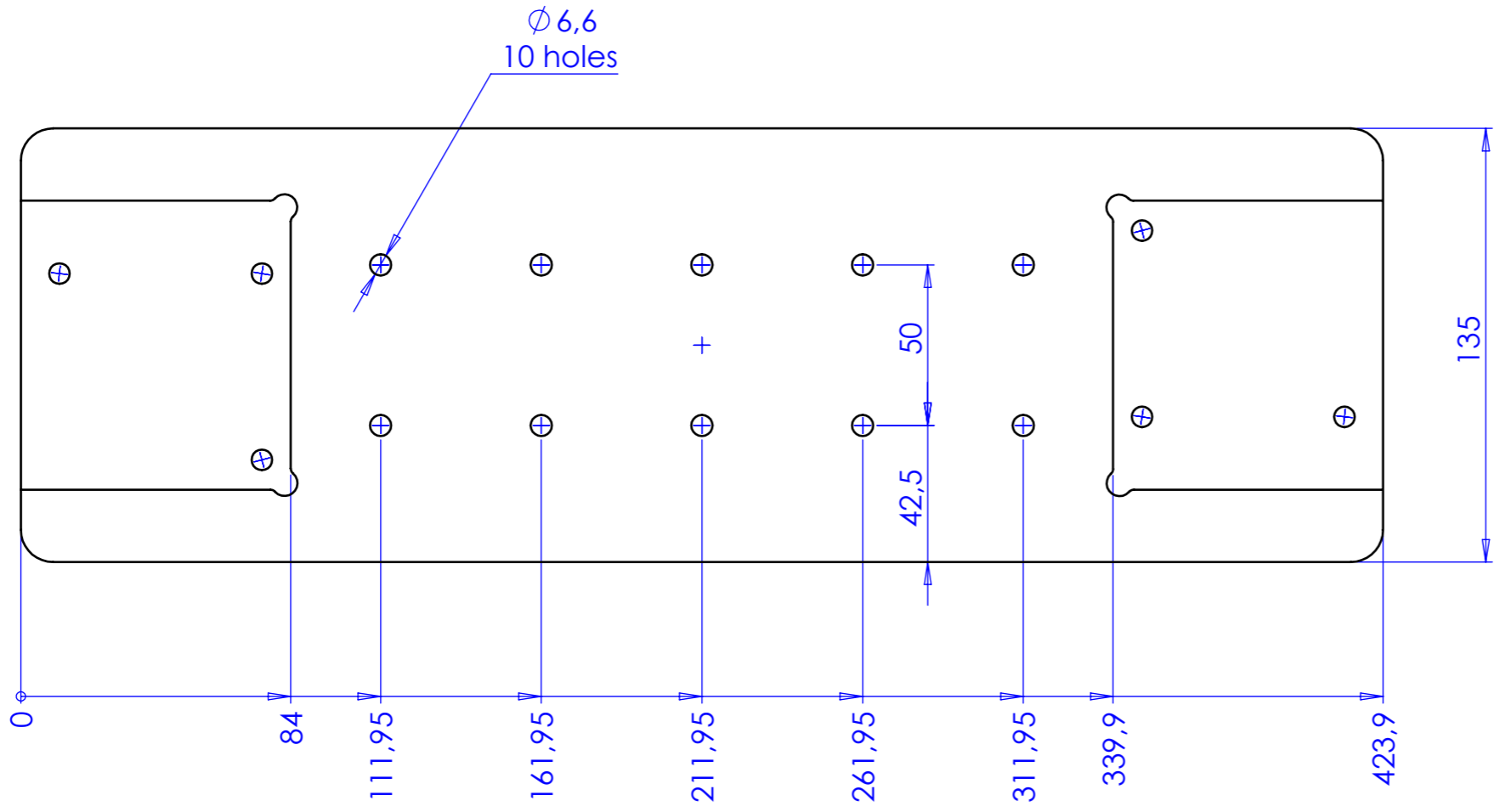


Rev No.	Description	Date	Name



Material Aluminium - UNI-EN 573 EN AW 6082		Mass 2156 g		Scale 1:2	
Surface treatment Gray Satin Anodizing		Part No. CO24109		Description Plate	
Geometrical tolerance (ISO 2768-2)		Class	K	Undimensioned bevels	0.5x45°
Linear tolerance (ISO 2768-2)		Class	m	Undimensioned radii	R 0.5
0.5 ±3	>3± 6	>6± 30	>30± 120	>120 ±400	>400± 1000
±0.1	±0.1	±0.2	±0.3	±0.5	±0.8
		Date		Name	
		Designed 09/06/2015		Vasconetto	
		Drawn 29/02/2016		Rodella	
		Checked			
		Drawing No.		Sheet	
		DP 24109-A		1/1	
<i>Secret and confidential - All rights reserved - No copy, dissemination or circulation is allowed unless specifically authorized in writing by OPTO ENGINEERING S.r.l. - Any violation shall be legally prosecuted.</i>					

all dimensions are in mm

