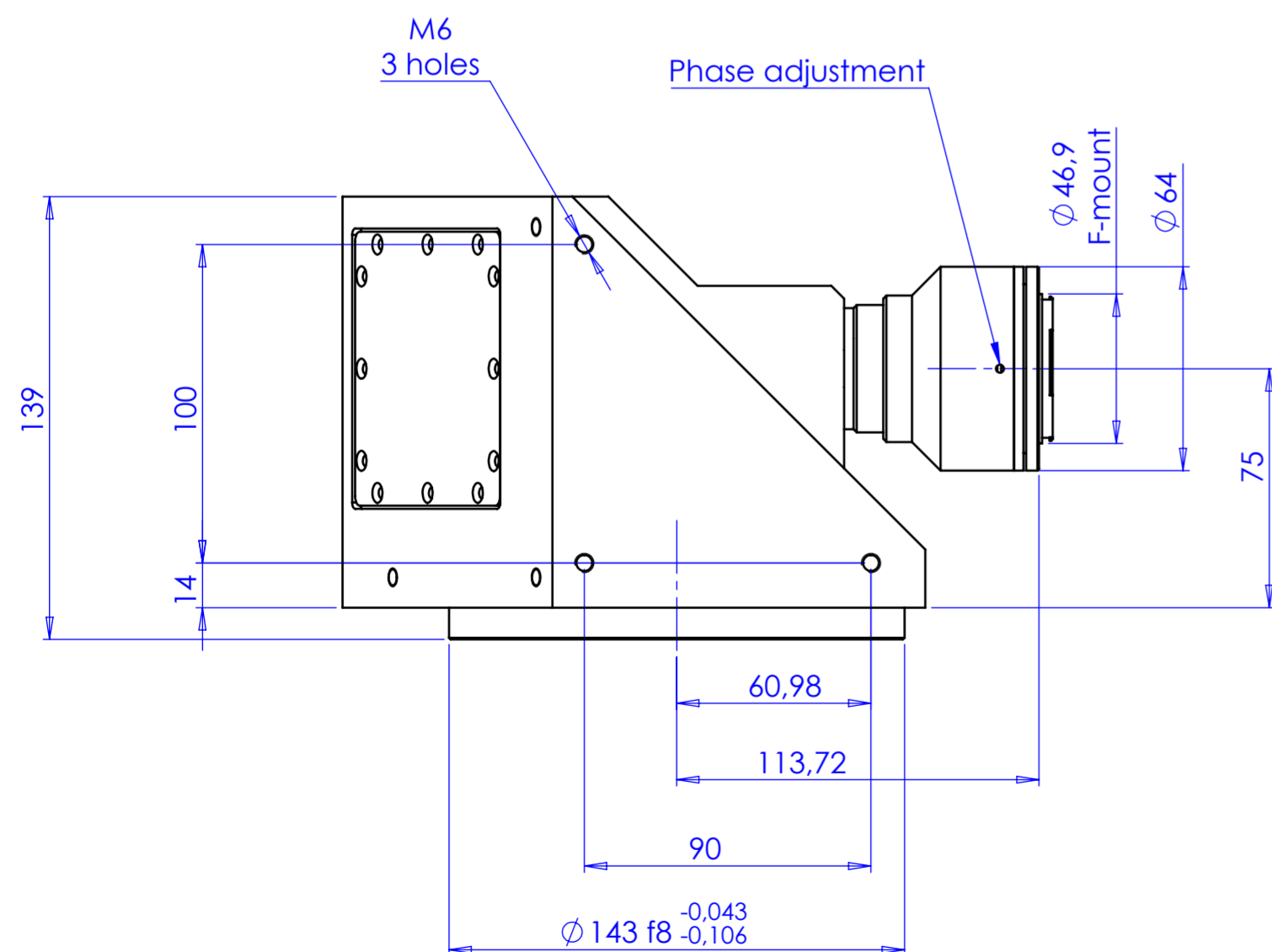
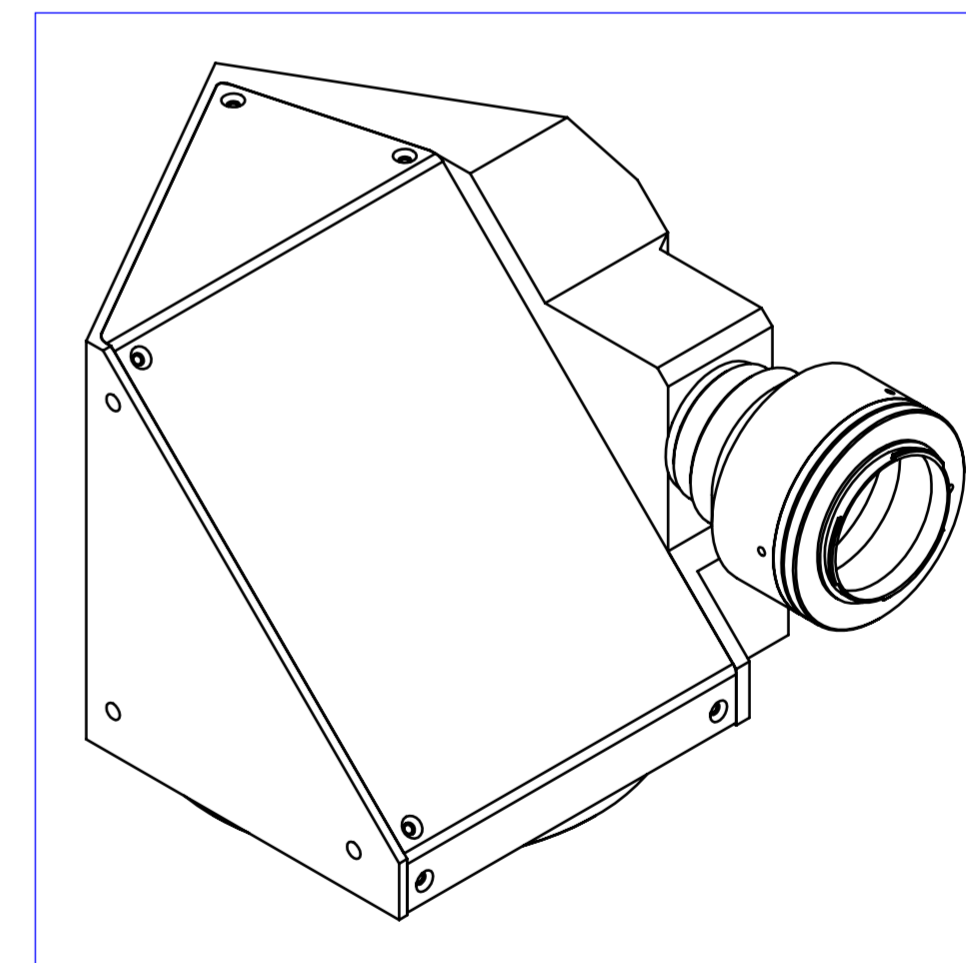
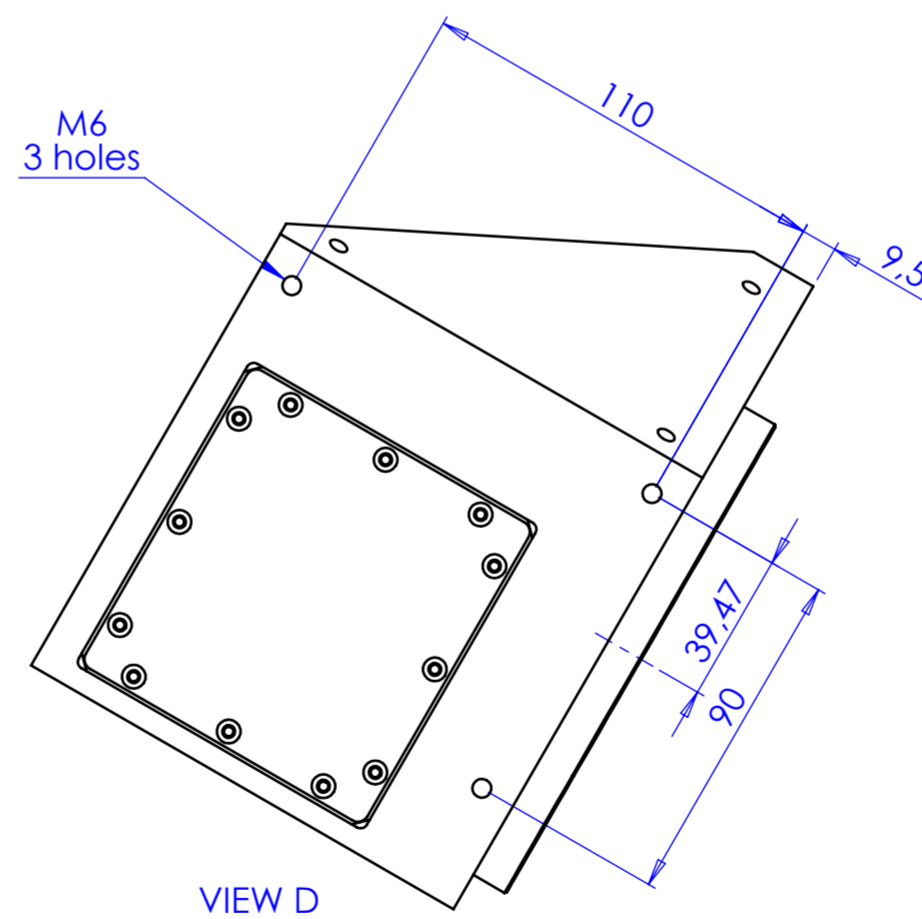
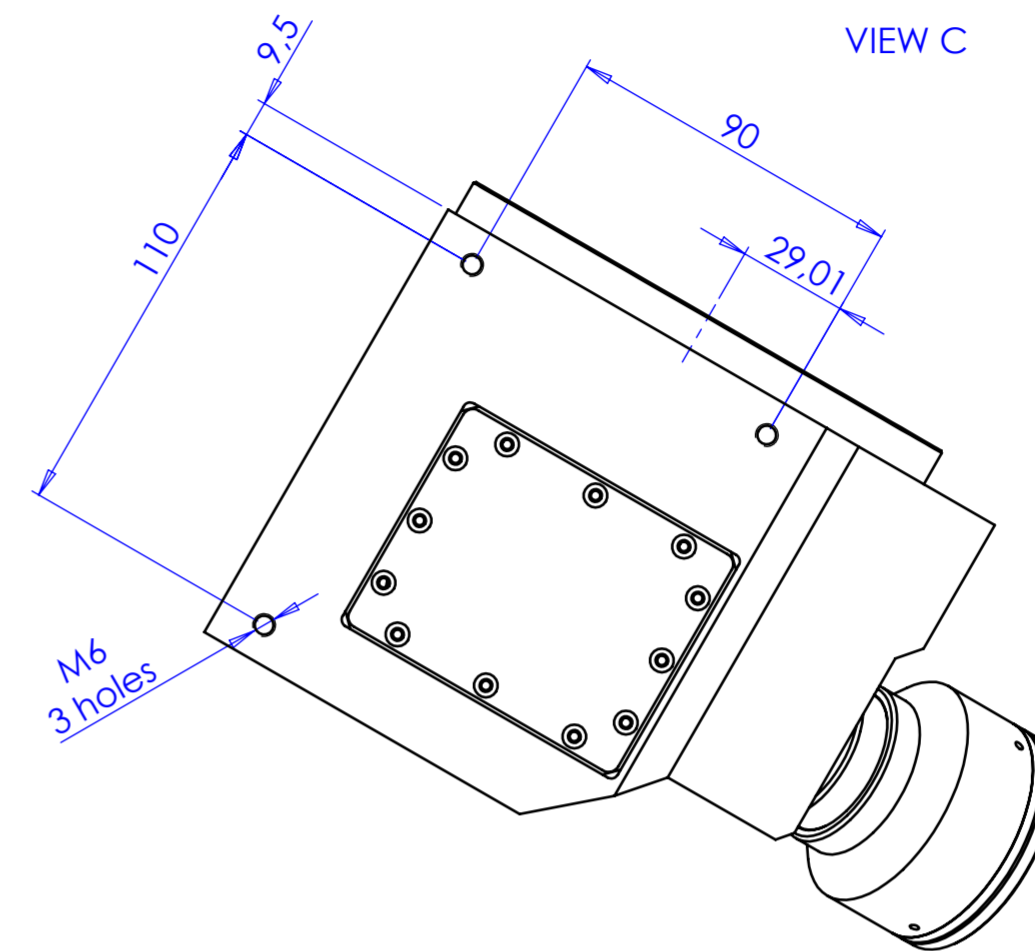
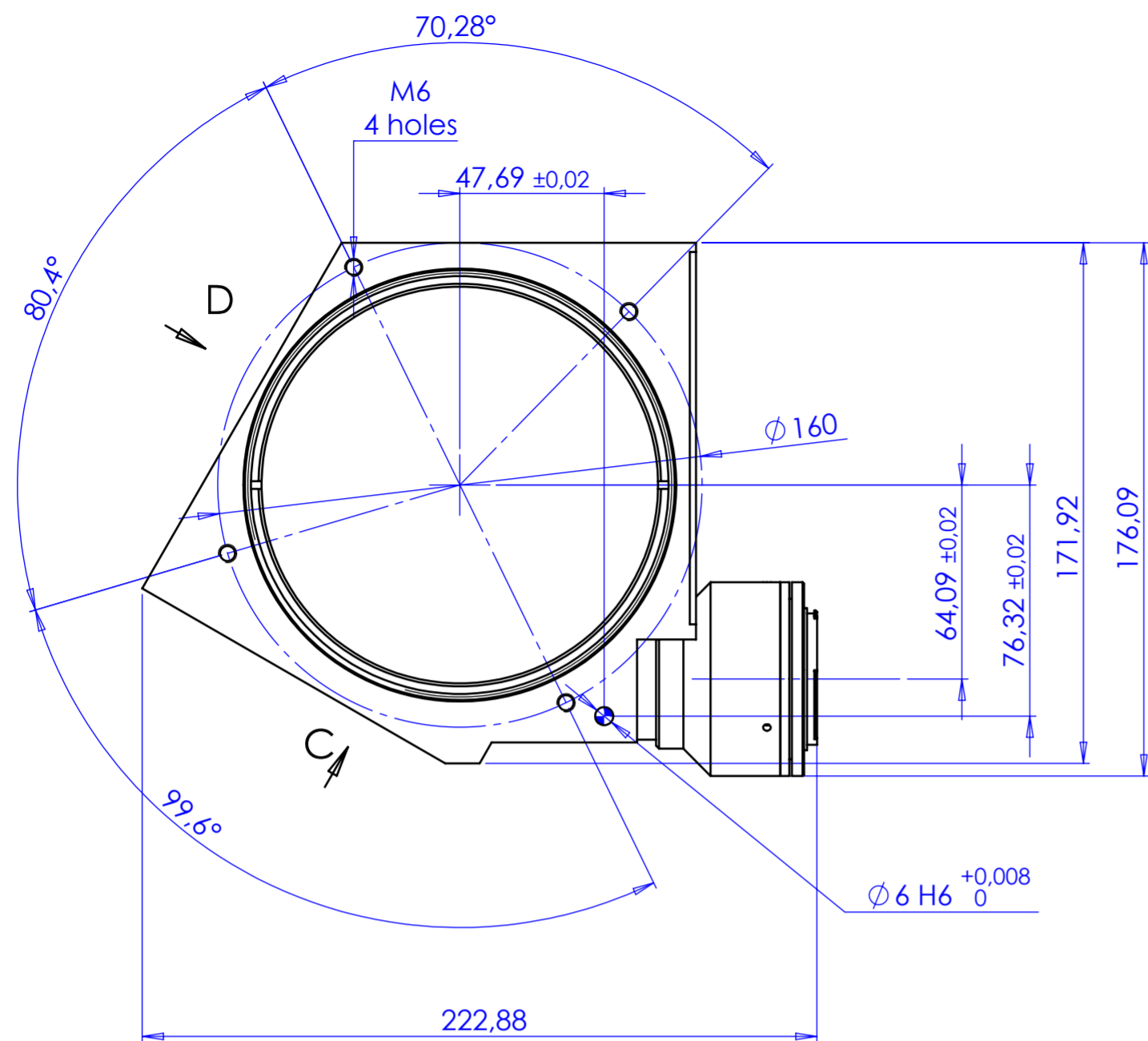


Rev No.	Description	Date	Name
B	Aggiunte quote	30/01/2017	Rodella



Material	N.A.	Mass	4233 g	Scale	1:2					
Surface treatment	N.A.	Part No.	CO24028							
Geometrical tolerance (ISO 2768-2)	Class	K	Undimensioned bevels	0.5x45°	Description					
Linear tolerance (ISO 2768-2)	Class	m	Undimensioned radii	R 0.5	TCCR4M096-F					
0.5	>3+	>6+	>30+	>120	>400+	>1000	>2000	>4000		
+3	6	30	120	+400	1000	+2000	+4000			
±0.1	±0.1	±0.2	±0.3	±0.5	±0.8	±1.2	±2			
Material		Date	Name	Drawing No.						
Designed		05/03/2015	Vasconetto	DP 24028-B						
Drawn		16/07/2015	Rodella	Sheet						
Checked				1/1						
<p>OPTO ENGINEERING S.r.l. - Mantova Italy - Tel. +39 0376 699111 - www.opto-engineering.com</p> <p>Secret and confidential - All rights reserved - No copy, dissemination or circulation is allowed unless specifically authorized in writing by OPTO ENGINEERING S.r.l. - Any violation shall be legally prosecuted.</p>										