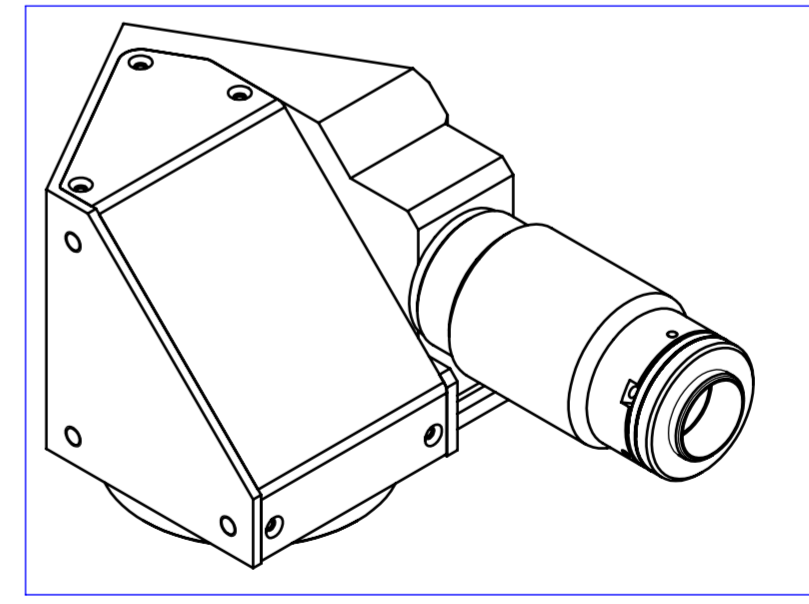
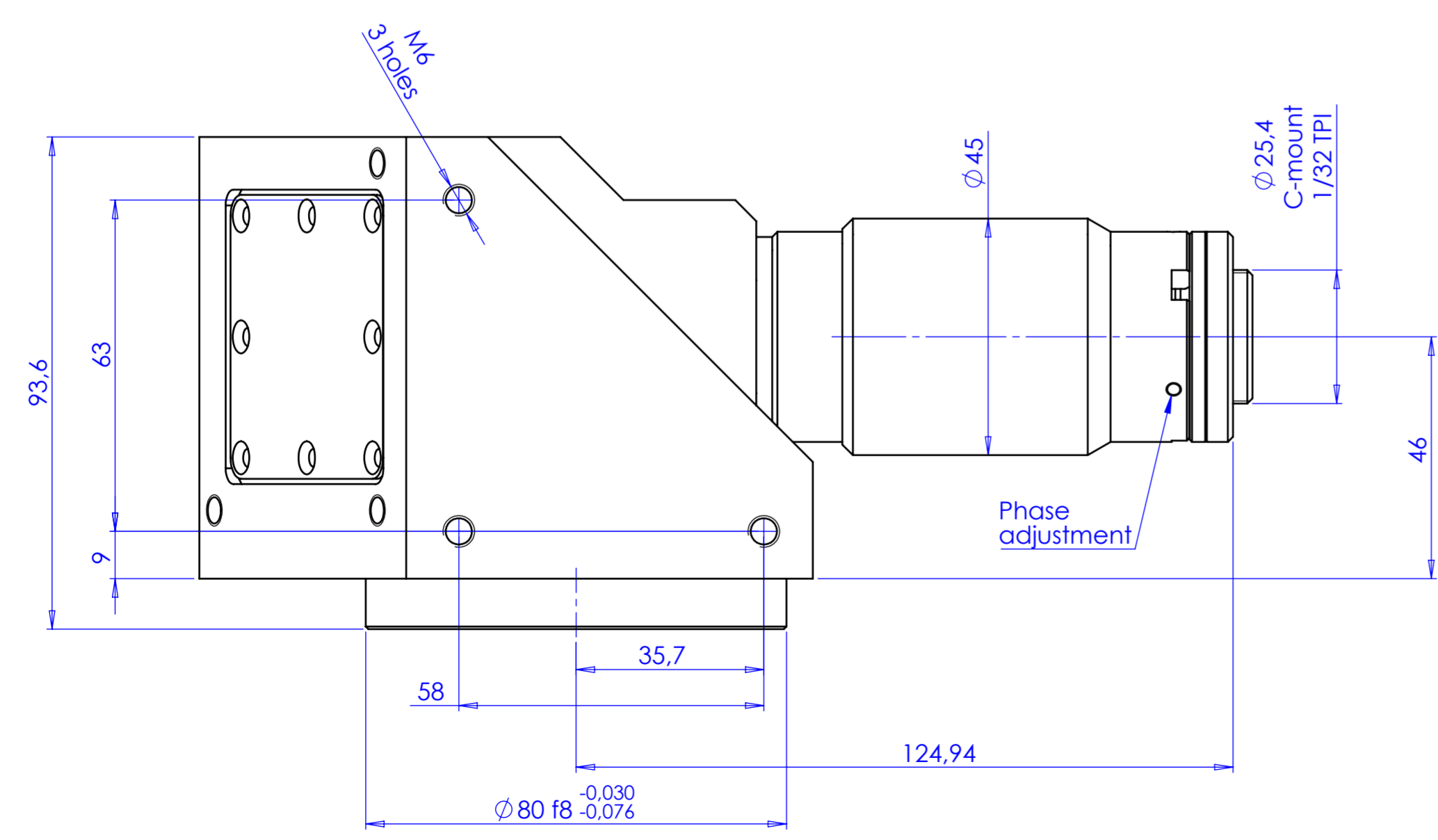
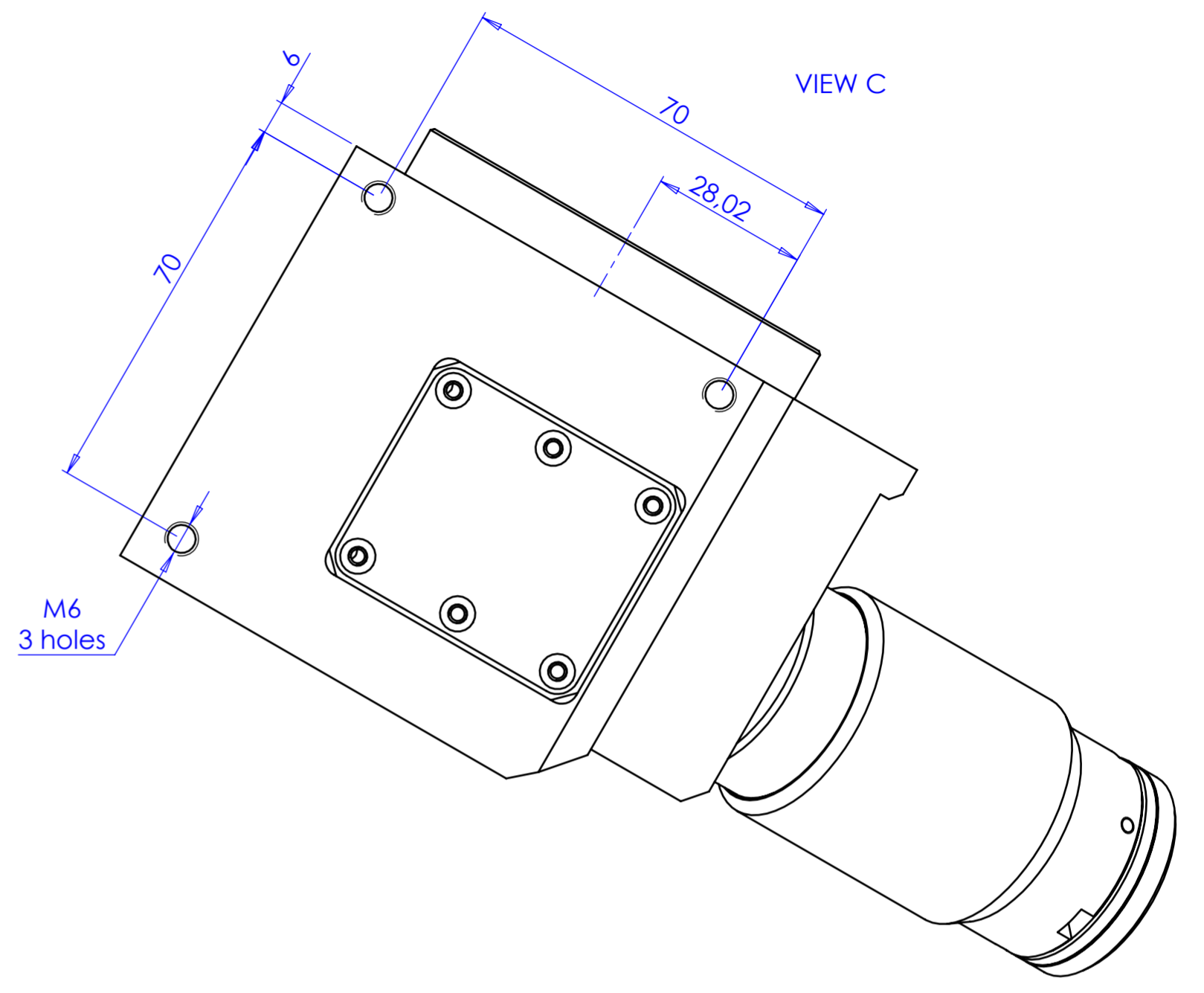
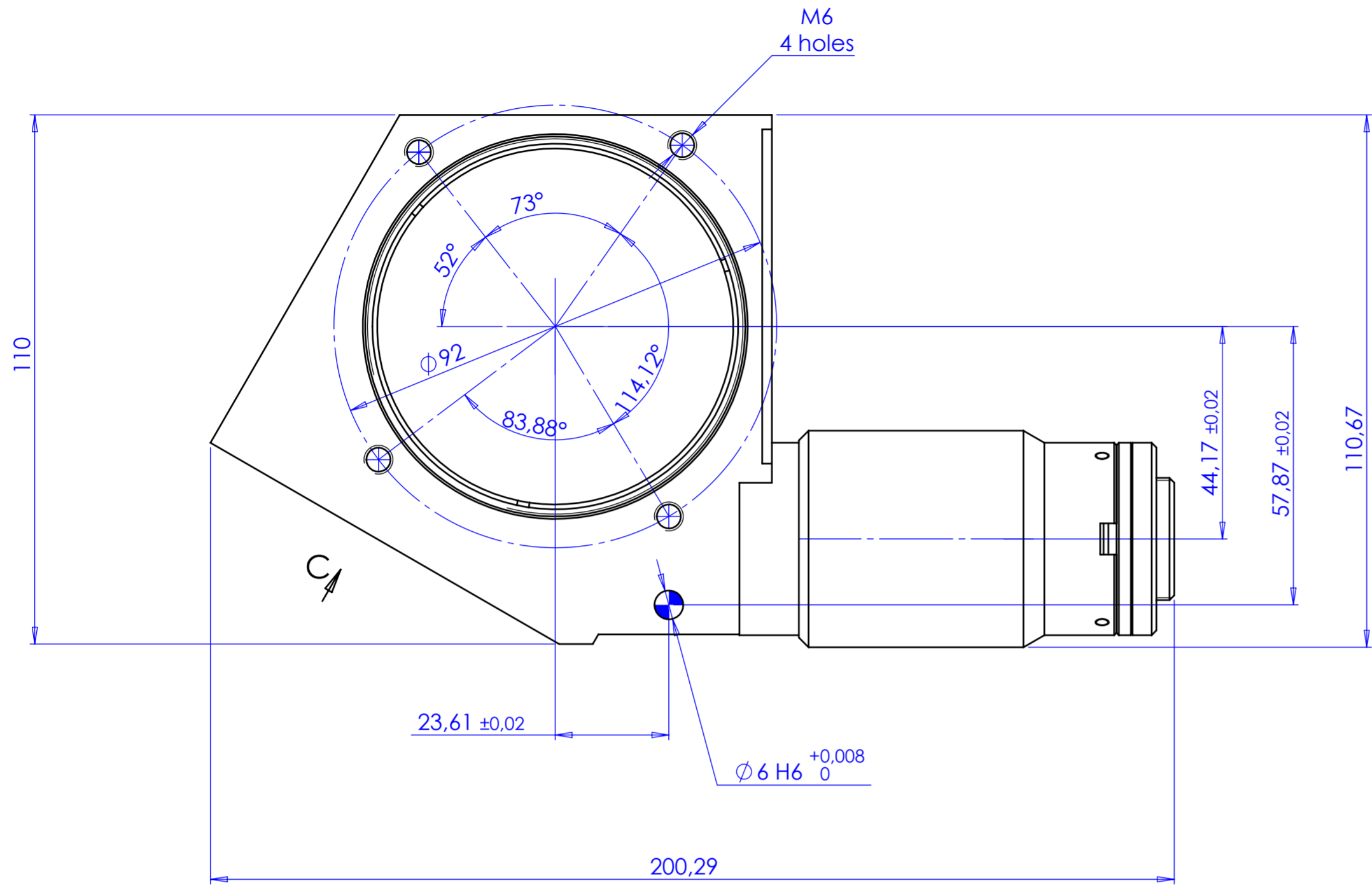


Rev No.	Description	Date	Name
B	Aggiunte quote	11/01/2017	Rodella



Material	N.A.	Mass	2592 g	Scale	1:1		
Surface treatment	N.A.	Part No.	CO23974				
Geometrical tolerance (ISO 2768-2)	Class	K	Undimensioned bevels	0.5x45°	Description		
Linear tolerance (ISO 2768-2)	Class	m	Undimensioned radii	R 0.5	TCCR4M056-C		
0.5	>3+	>6+	>30+	>120	>400+	>1000	>2000
+3	6	30	120	+400	1000	+2000	+4000
+0.1	+0.1	+0.2	+0.3	+0.5	+0.8	+1.2	+2
Date		Name		Drawing No.			
Designed 13/05/2015		Vasconetto		DP 23974-B			
Drawn 16/07/2015		Rodella		Sheet 1/1			
Checked							