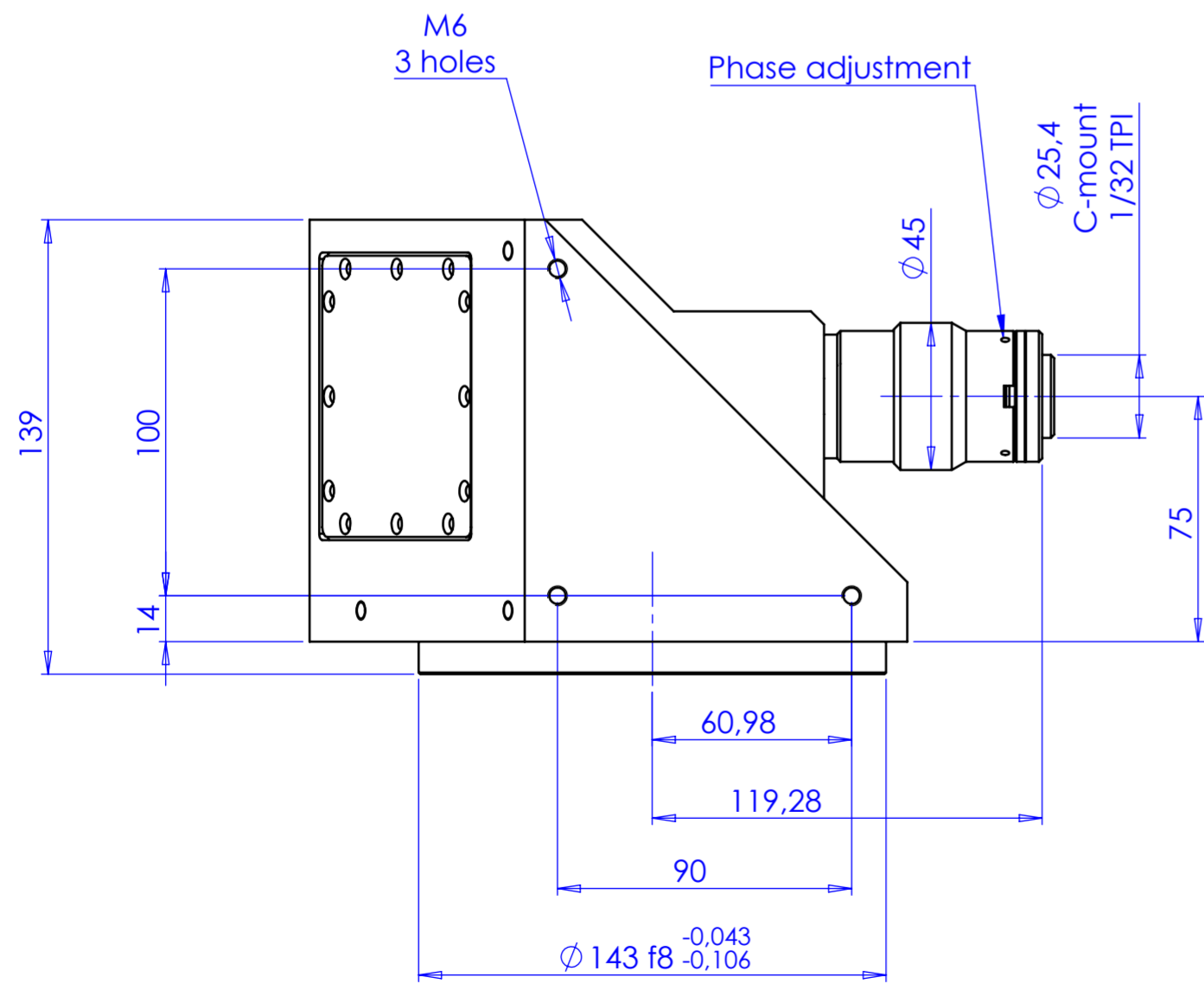
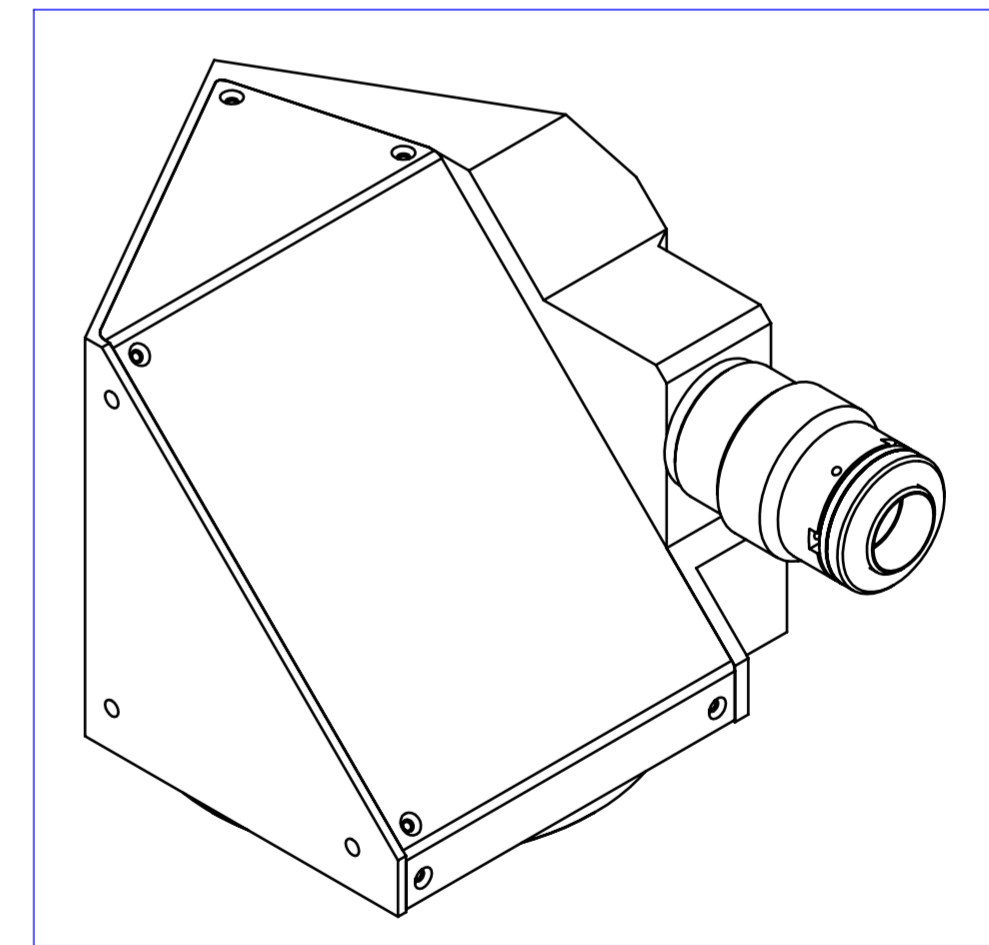
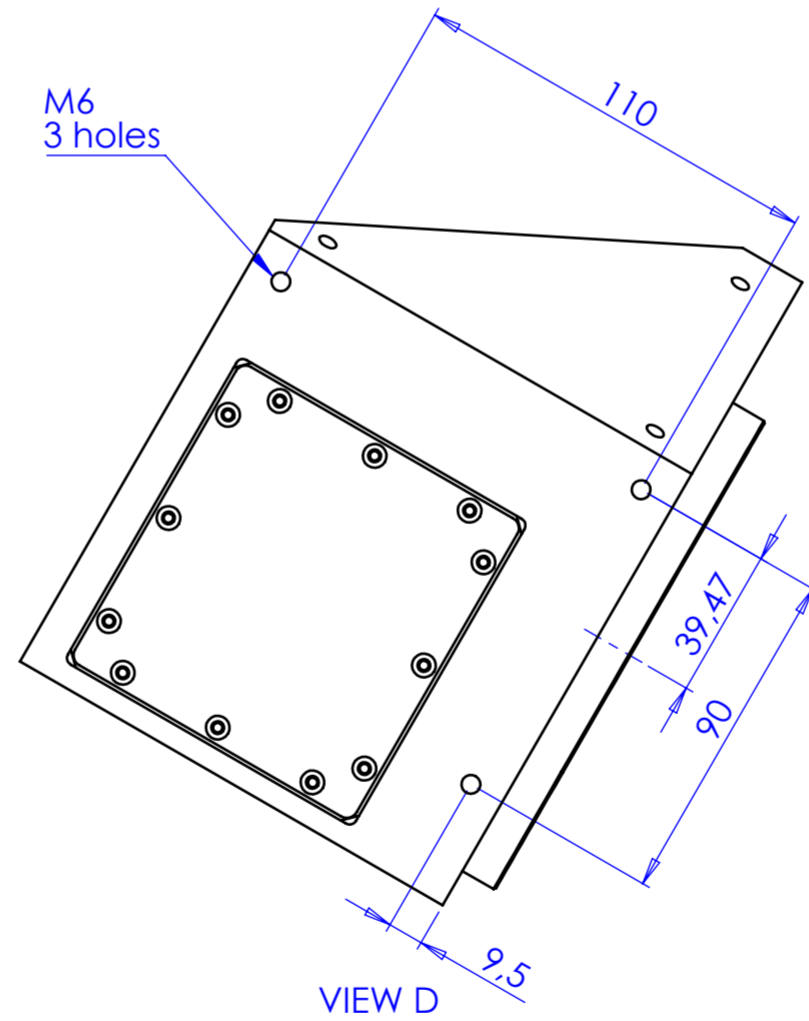
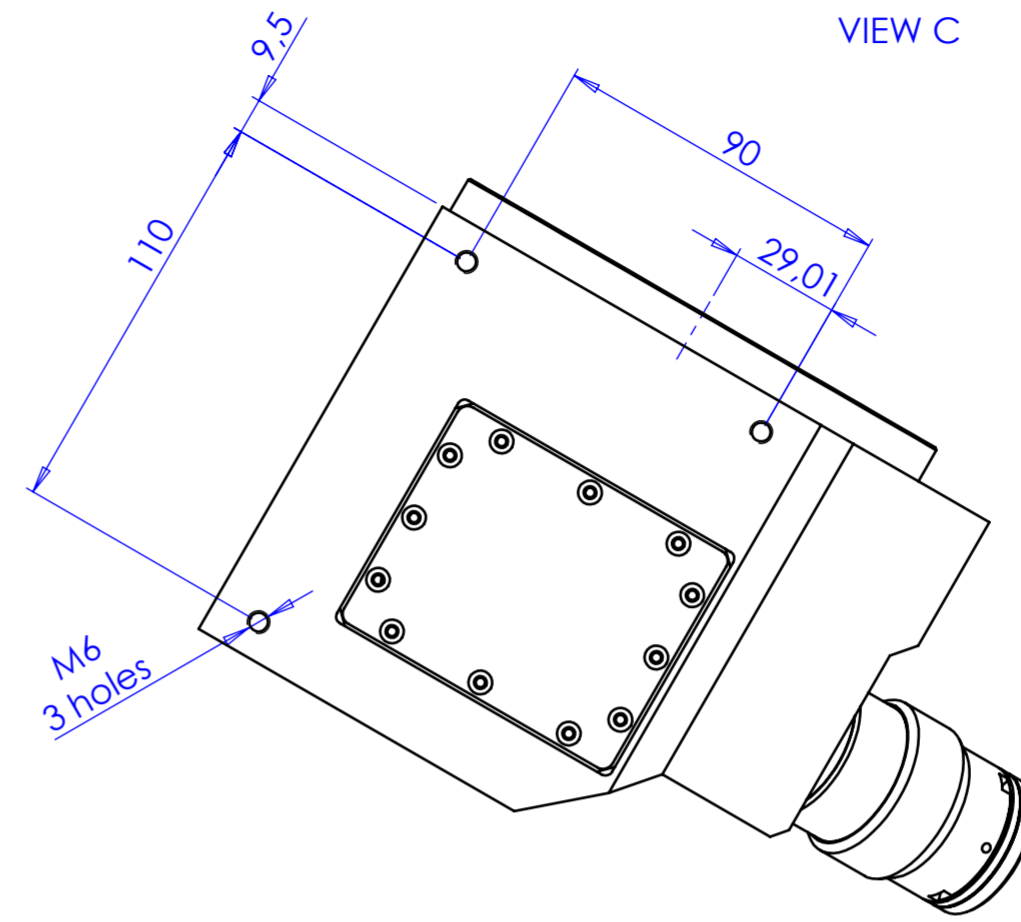
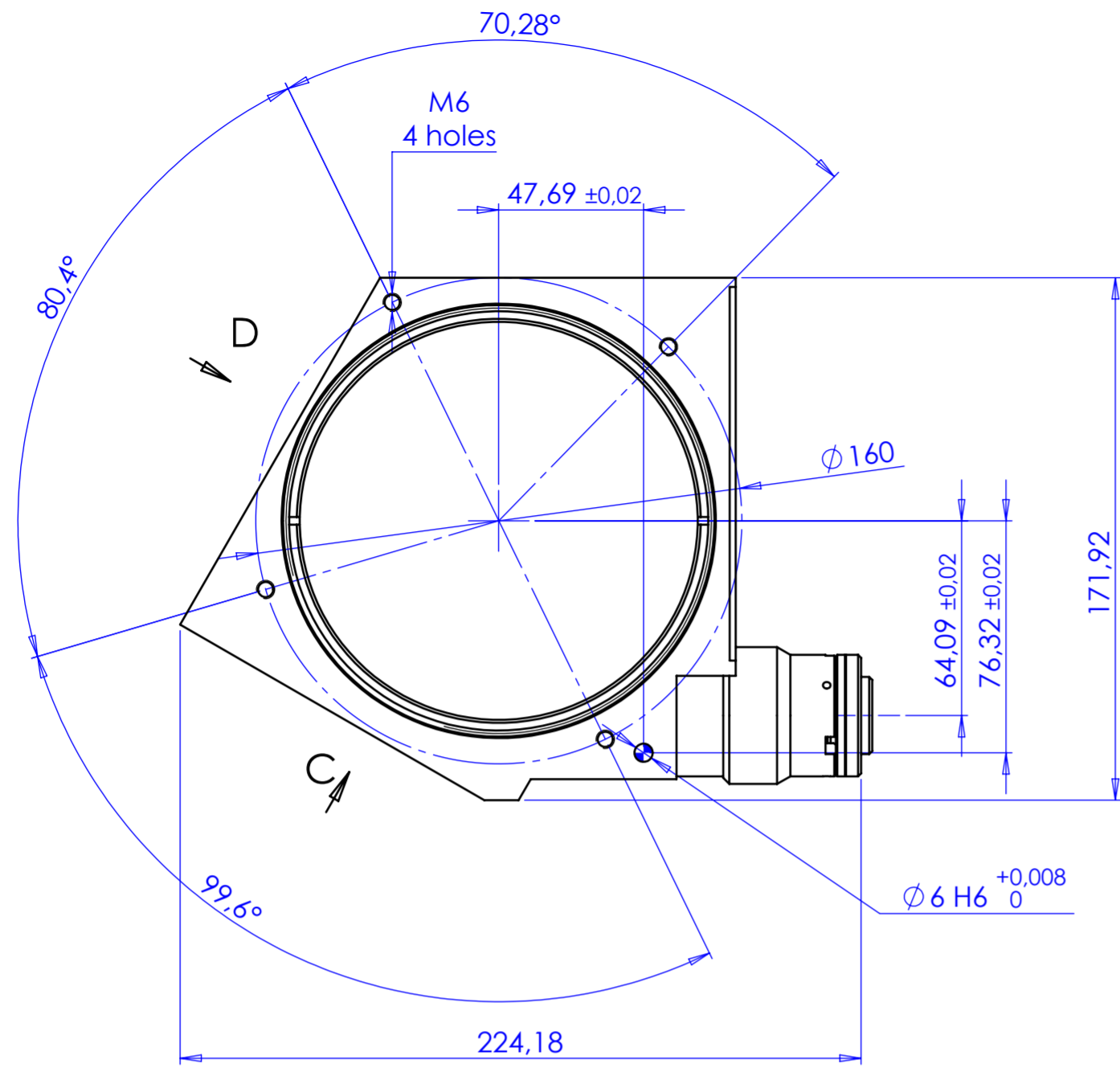


Rev No.	Description	Date	Name
B	Aggiunte quote	30/01/2017	Rodella



Material	N.A.	Mass	4332 g	Scale	1:2					
Surface treatment	N.A.	Part No.	CO23965							
Geometrical tolerance (ISO 2768-2)	Class	K	Undimensioned bevels	0,5x45°	Description					
Linear tolerance (ISO 2768-2)	Class	m	Undimensioned radii	R 0,5	TCCR2M096-C					
0,5	>3+	>6+	>30+	>120	>400+	>1000	>2000	>4000		
+3	6	30	120	+400	1000	+2000	+4000			
±0,1	±0,1	±0,2	±0,3	±0,5	±0,8	±1,2	±2			
Designed		Date		Name		Drawing No.		Sheet		
OPTO ENGINEERING		05/03/2015		Vasconetto		DP 23965-B		1/1		
Drawn		Date		Name		Drawing No.		Sheet		
16/07/2015		Rodella								
Checked		Date		Name		Drawing No.		Sheet		

all dimensions are in mm
 OPTO ENGINEERING S.r.l. - Mantova Italy - Tel. +39 0376 699111 - www.opto-engineering.com
 Secret and confidential - All rights reserved - No copy, dissemination or circulation is allowed unless specifically authorized in writing by OPTO ENGINEERING S.r.l. - Any violation shall be legally prosecuted.