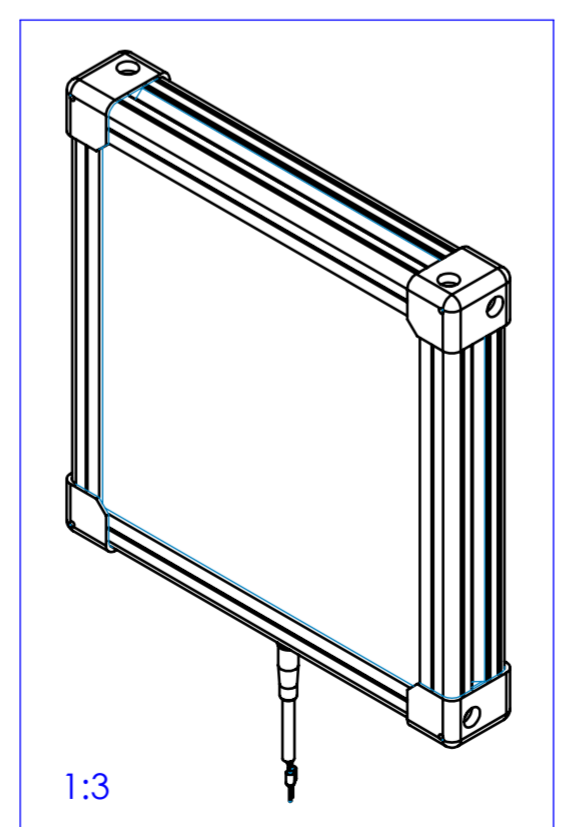
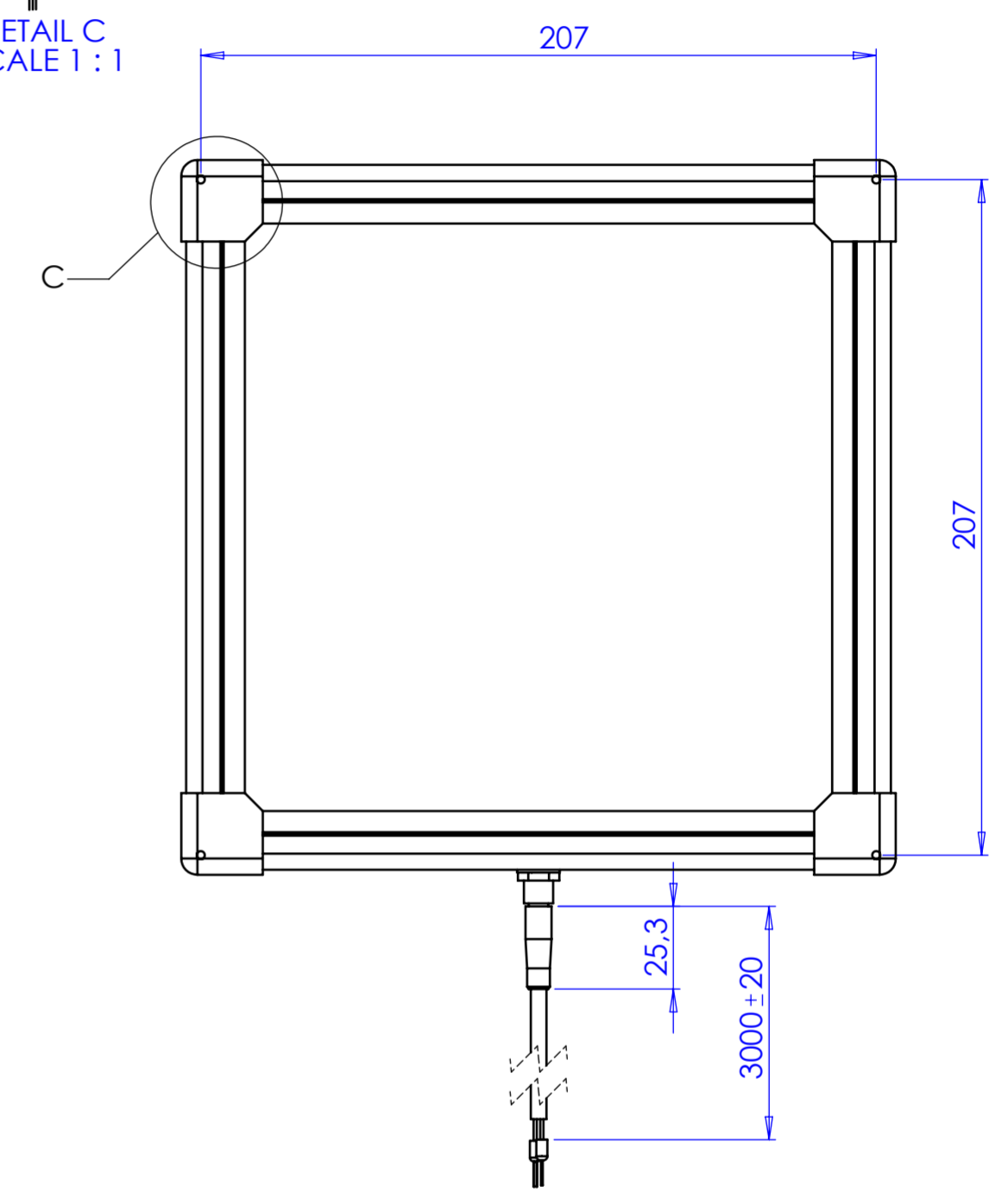
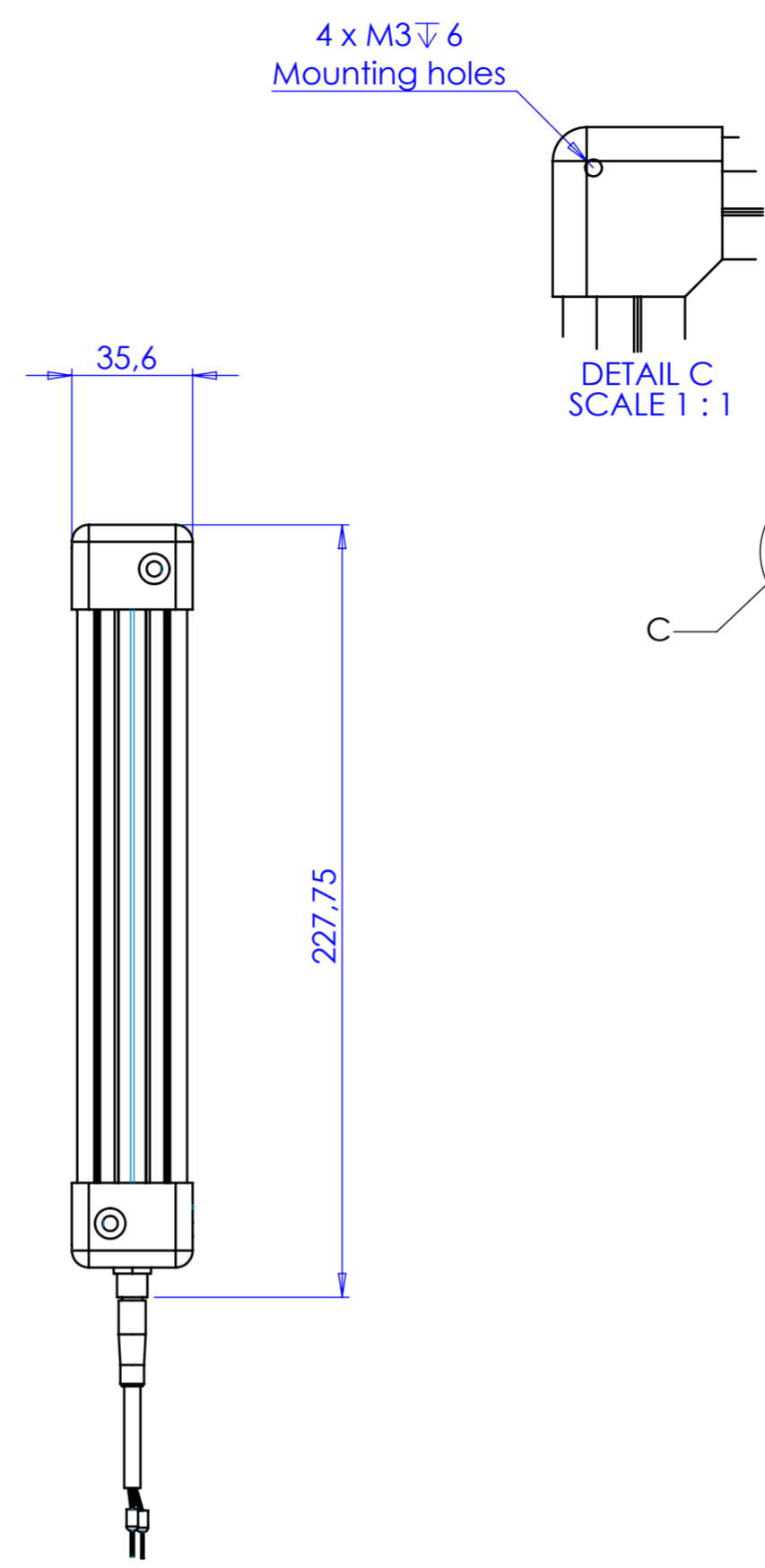
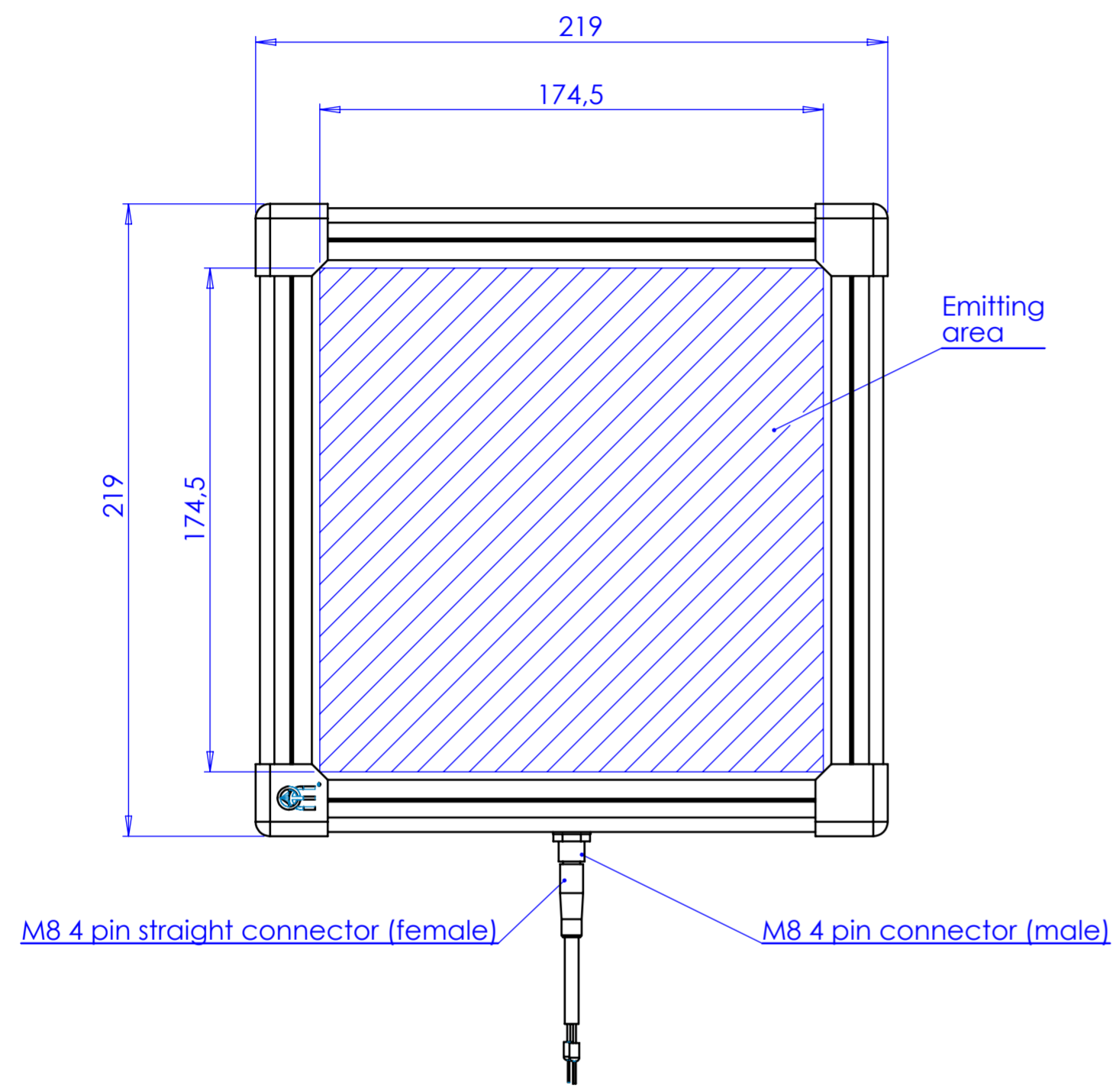


Rev No.	Description	Date	Name



Material Materiale <non specificato>		Mass 439 g		Scale 1:2	
Surface treatment N.A.		Part No. CO23819		Description LTBC174174-G	
Geometrical tolerance (ISO 2768-2)		Class	K	Undimensioned bevels	0,5x45°
Linear tolerance (ISO 2768-2)		Class	m	Undimensioned radii	R 0,5
0,5 +3	>3+ 6	>6+ 30	>30+ 120	>120 +400	>400+ 1000
±0,1	±0,1	±0,2	±0,3	±0,5	±0,8
					±1,2
					±2
		Date	Name	Drawing No.	
Designed		24/04/2015	Rodella	DP 23819-A	
Drawn		24/04/2015	Rodella	Sheet	
Checked				1/1	
OPTO ENGINEERING S.r.l. - Mantova Italy - Tel. +39 0376 699111 - www.opto-engineering.com					

Secret and confidential - All rights reserved -  
No copy, dissemination or circulation is allowed unless  
specifically authorized in writing by OPTO ENGINEERING  
S.r.l. - Any violation shall be legally prosecuted.