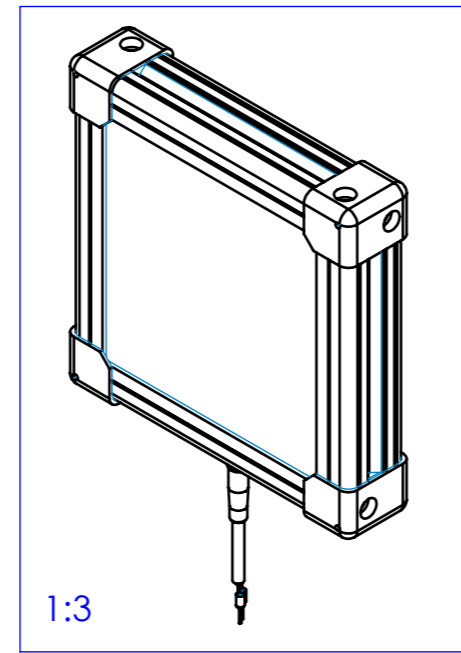
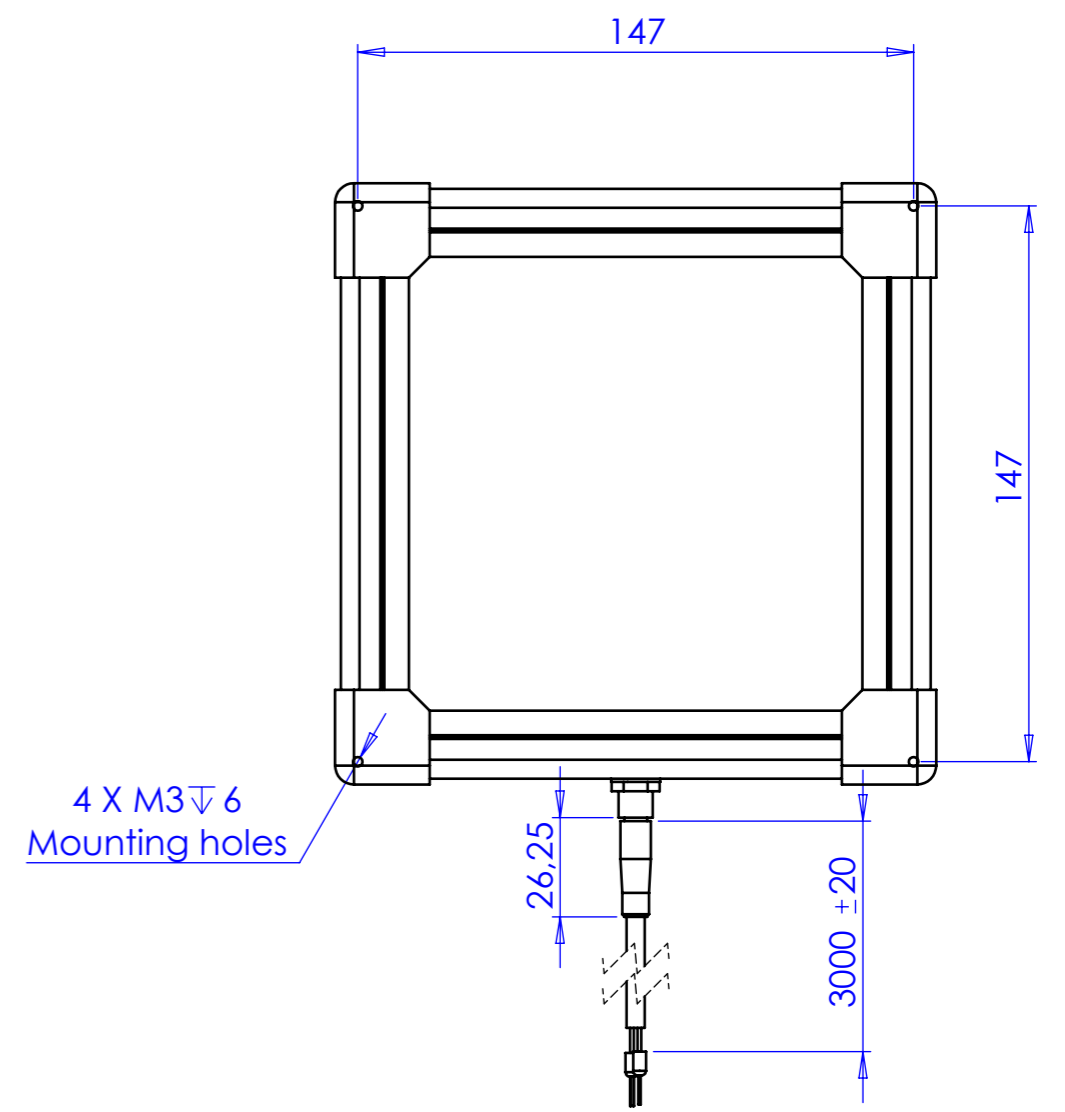
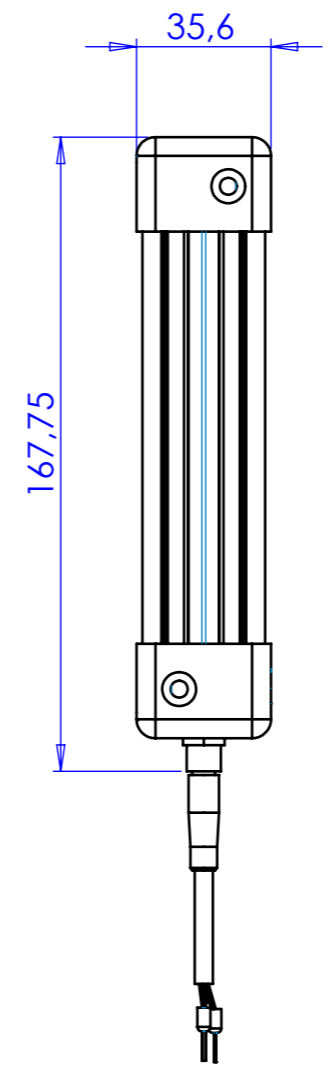
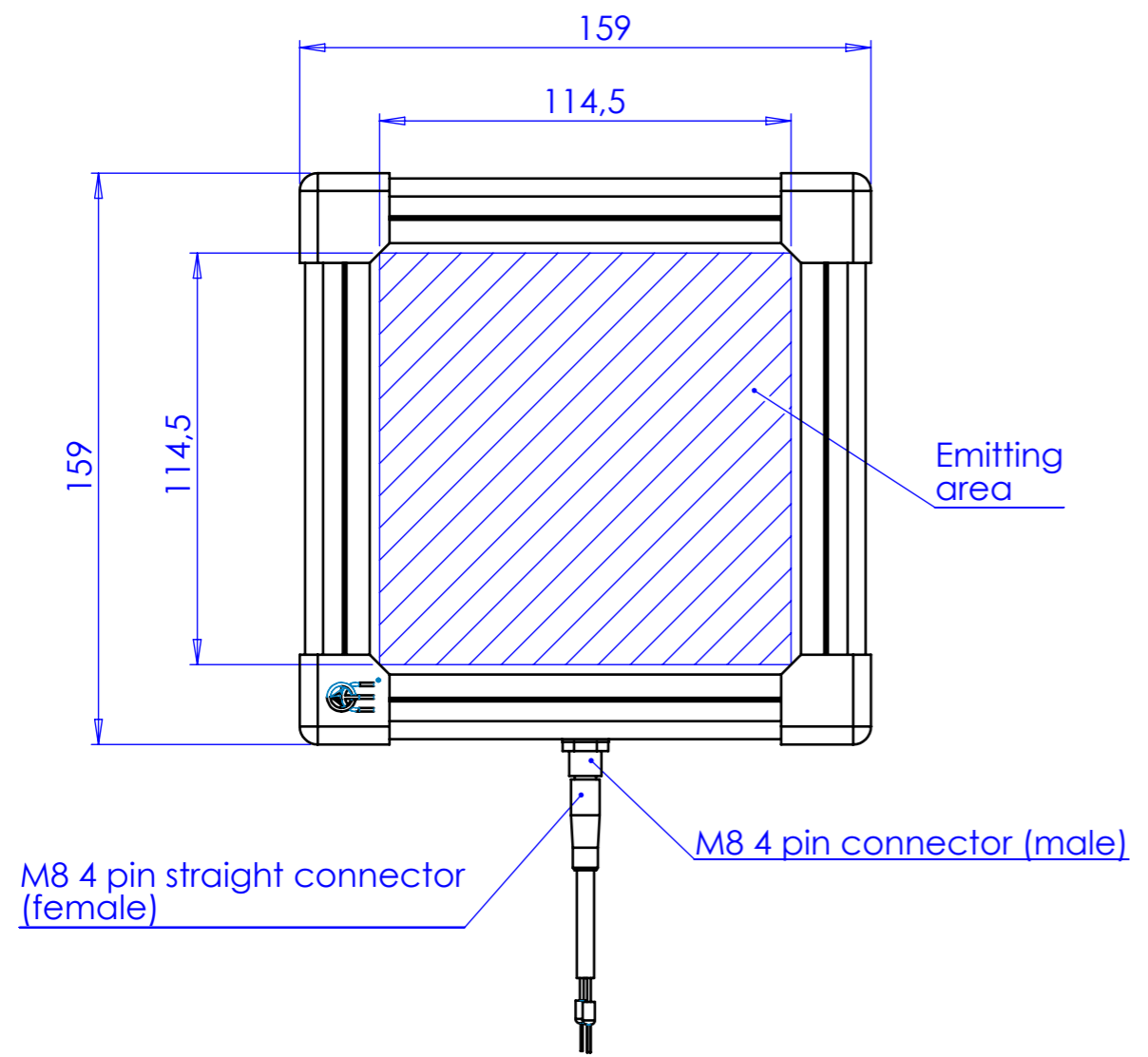


Rev No.	Description	Date	Name



Material Materiale <non specificato>		Mass 274 g		Scale 1:2	
Surface treatment N.A.		Part No. CO23817		Description LTBC114114-G	
Geometrical tolerance (ISO 2768-2)		Class K		Undimensioned bevels 0,5x45°	
Linear tolerance (ISO 2768-2)		Class m		Undimensioned radii R 0,5	
0,5 ±3	>3± 6	>6± 30	>30± 120	>120 ±400	>400± 1000
				>1000 ±2000	>2000 ±4000
±0,1	±0,1	±0,2	±0,3	±0,5	±0,8
				±1,2	±2
		Date	Name		Drawing No.
		Designed	Rodella		DP 23817-A
		Drawn	Rodella		
all dimensions are in mm OPTO ENGINEERING S.r.l. - Mantova Italy - Tel. +39 0376 699111 - www.opto-engineering.com		Checked			Sheet 1/1

Secret and confidential - All rights reserved -
No copy, dissemination or circulation is allowed unless
specifically authorized in writing by OPTO ENGINEERING
S.r.l. - Any violation shall be legally prosecuted.