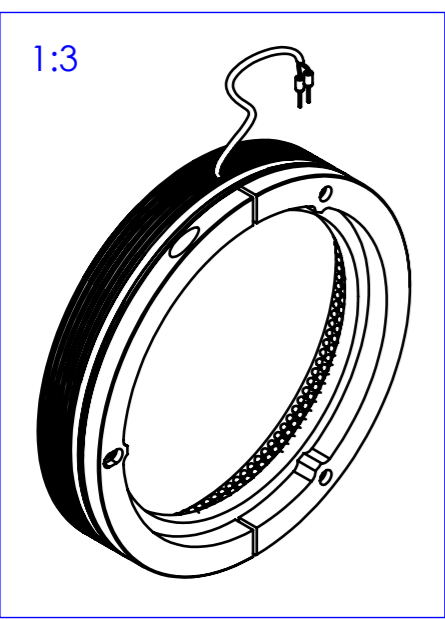
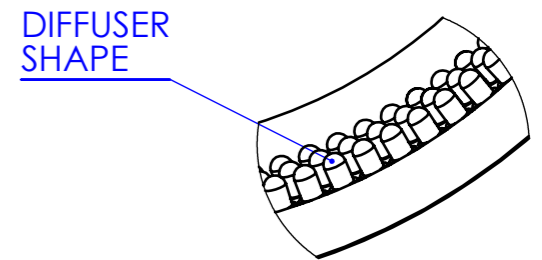
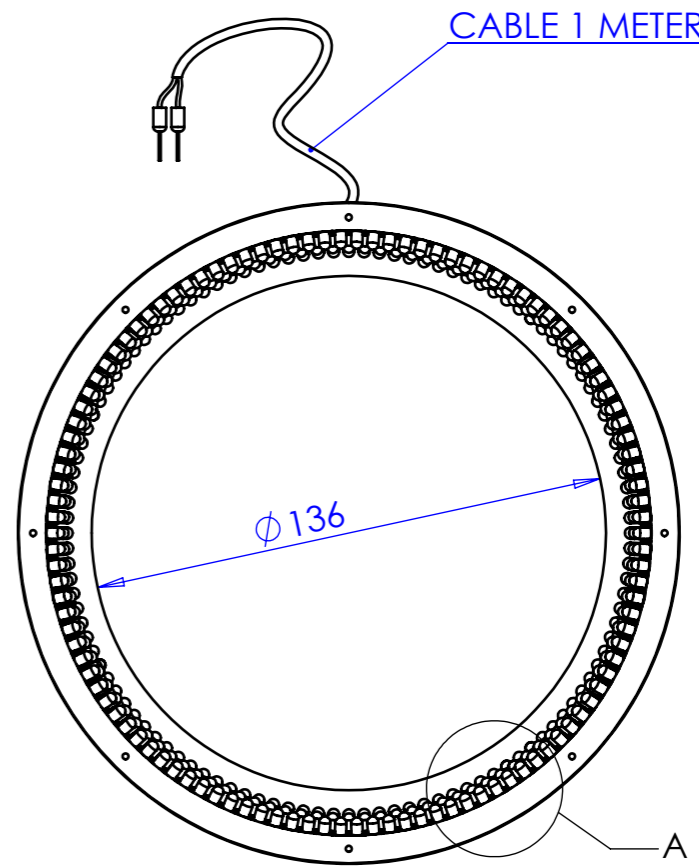
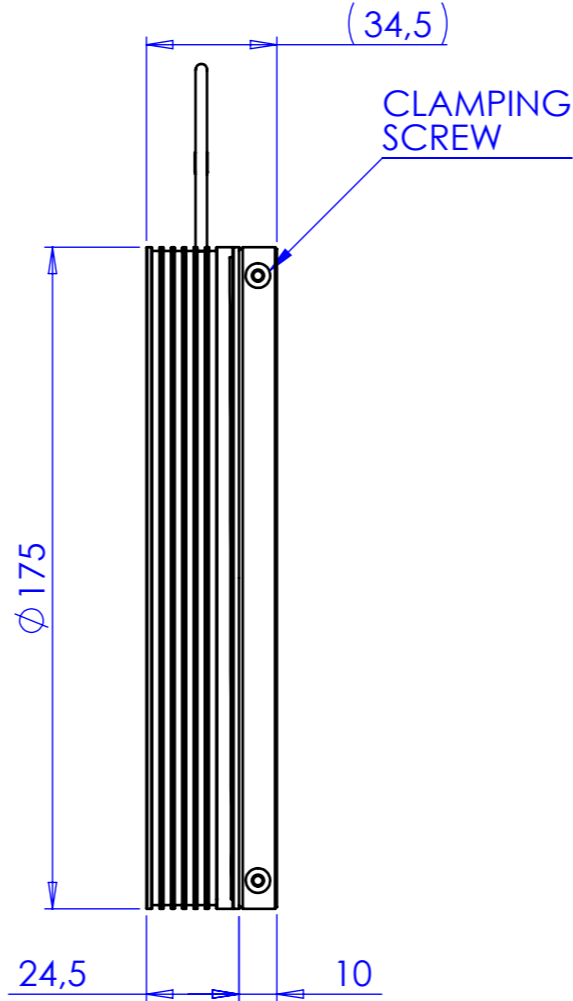
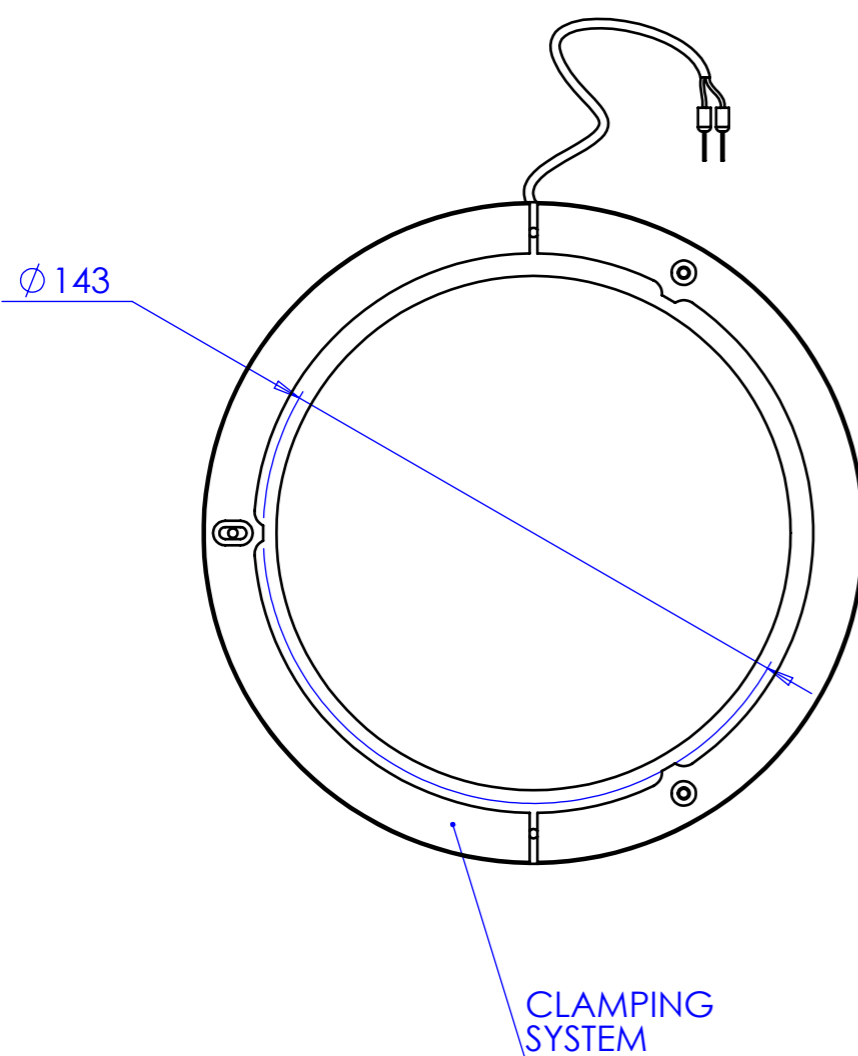


| Rev No. | Description | Date | Name |
|---------|-------------|------|------|
| | | | |
| | | | |
| | | | |



| | | | | | | |
|---|------|------|---|---------|----------------------|-------|
| Material | N.A. | | Mass | 155 g | Scale | 1:2 |
| Surface treatment | N.A. | | Part No. | CO23566 | | |
| Geometrical tolerance (ISO 2768-2) | | | Class | K | Undimensioned bevels | |
| Linear tolerance (ISO 2768-2) | | | Class | m | 0,5x45° | |
| 0.5 | >3 | >6 | >30 | >120 | >400 | >1000 |
| ±3 | ±6 | ±30 | ±120 | ±400 | ±1000 | ±2000 |
| ±0.1 | ±0.1 | ±0.2 | ±0.3 | ±0.5 | ±0.8 | ±1.2 |
| Undimensioned radii | | | R 0.5 | | Description | |
| | | | | | LTRN165R 45 | |
| | | | Date | Name | Drawing No. | Sheet |
| | | | 18/12/2014 | Rodella | DP 23566-A | 1/1 |
| | | | 04/02/2015 | Rodella | | |
| | | | | | | |
| OPTO ENGINEERING S.r.l. - Mantova Italy - Tel. +39 0376 699111 - www.opto-engineering.com | | | Secret and confidential - All rights reserved - No copy, dissemination or circulation is allowed unless specifically authorized in writing by OPTO ENGINEERING S.r.l. - Any violation shall be legally prosecuted. | | | |