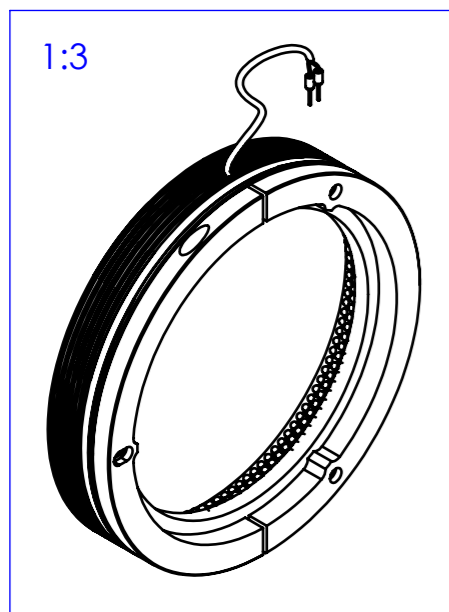
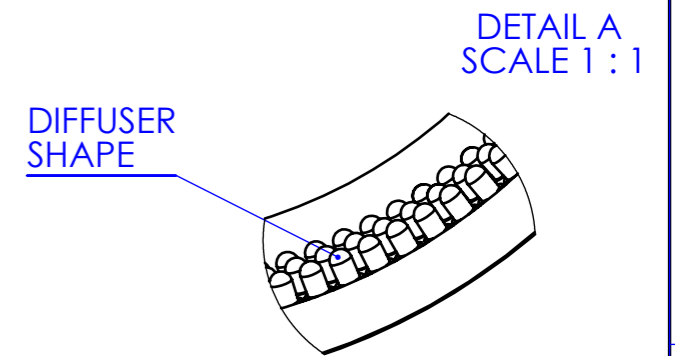
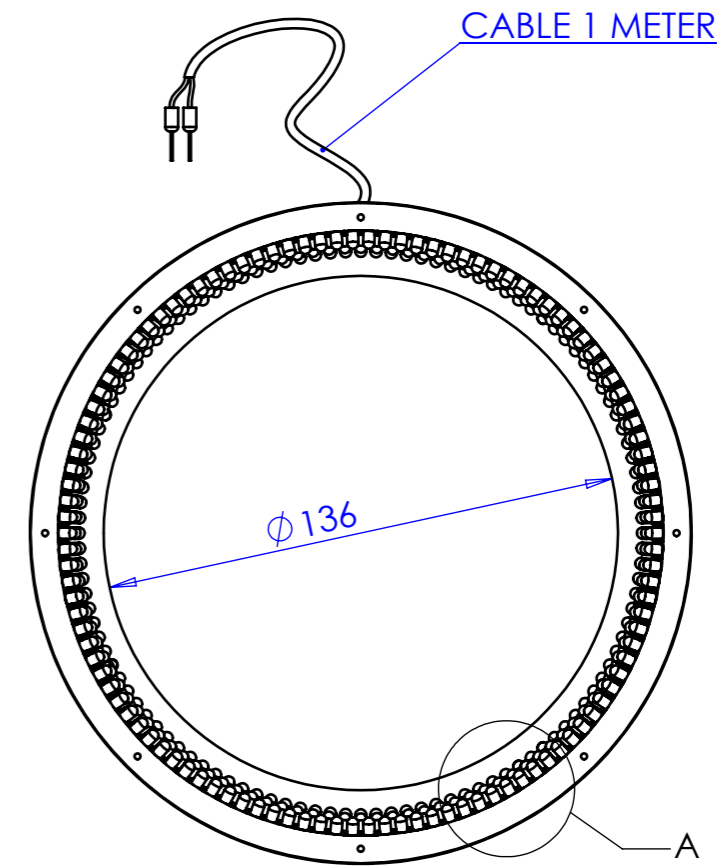
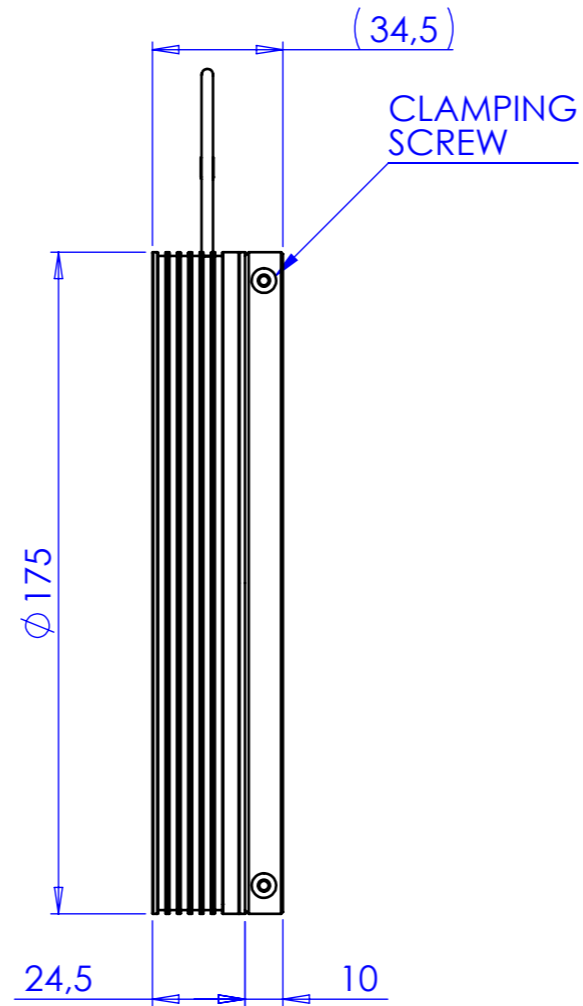
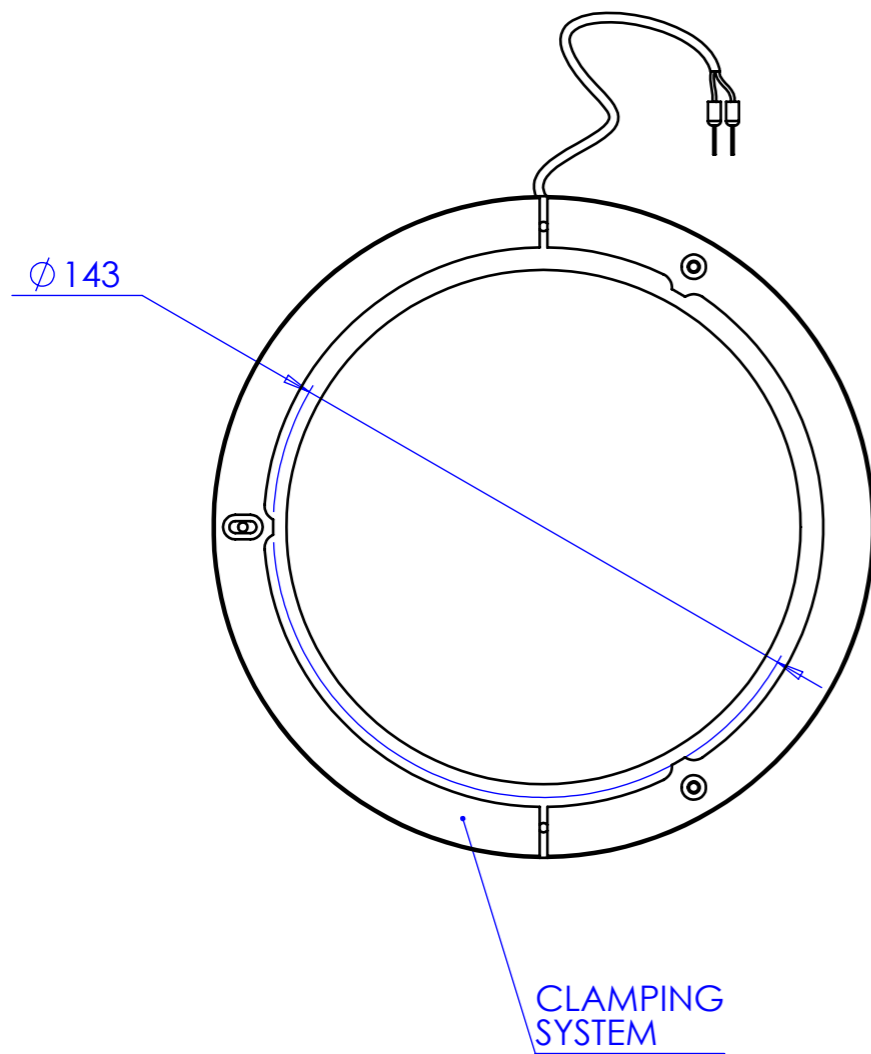


| Rev No. | Description | Date | Name |
|---------|-------------|------|------|
| | | | |
| | | | |
| | | | |



| | | | | | | | | | | | | | |
|---|------|------|------|----------|-------|------------|-------|---|--|---------------------|--|-------------|----------------------|
| Material | | N.A. | | Mass | | 155 g | | Scale | | 1:2 | | | |
| Surface treatment | | N.A. | | Part No. | | CO23564 | | | | | | | |
| Geometrical tolerance (ISO 2768-2) | | | | | | | | Class | | K | | Description | |
| Linear tolerance (ISO 2768-2) | | | | | | | | Class | | m | | | Undimensioned bevels |
| 0.5 | >3 | >6 | >30 | >120 | >400 | >1000 | >2000 | | | 0,5x45° | | LTRN165B 45 | |
| ±3 | ±6 | ±30 | ±120 | ±400 | ±1000 | ±2000 | ±4000 | | | R 0.5 | | | |
| ±0.1 | ±0.1 | ±0.2 | ±0.3 | ±0.5 | ±0.8 | ±1.2 | ±2 | | | Undimensioned radii | | | |
| OPTO ENGINEERING S.r.l. - Mantova Italy - Tel. +39 0376 699111 - www.opto-engineering.com | | | | Date | | Name | | Drawing No. | | Sheet | | | |
| | | | | Designed | | 18/12/2014 | | Rodella | | DP 23564-A | | 1/1 | |
| | | | | Drawn | | 04/02/2015 | | Rodella | | | | | |
| | | | | Checked | | | | <i>Secret and confidential - All rights reserved - No copy, dissemination or circulation is allowed unless specifically authorized in writing by OPTO ENGINEERING S.r.l. - Any violation shall be legally prosecuted.</i> | | | | | |

all dimensions are in mm