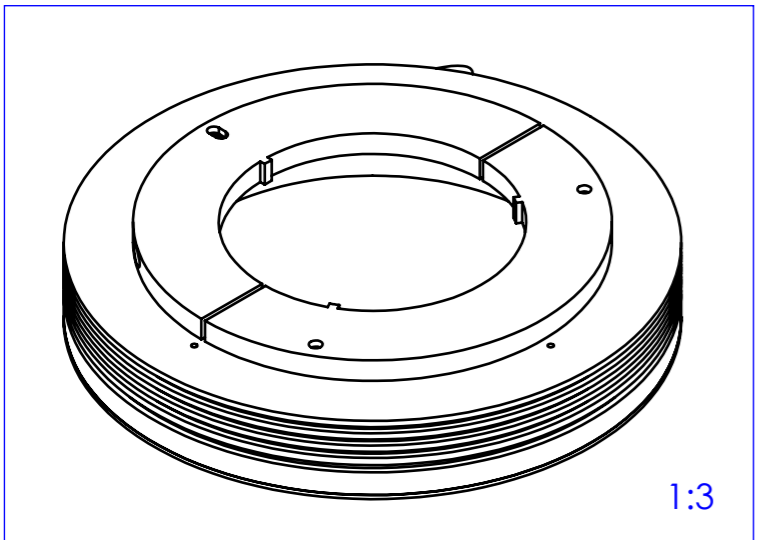
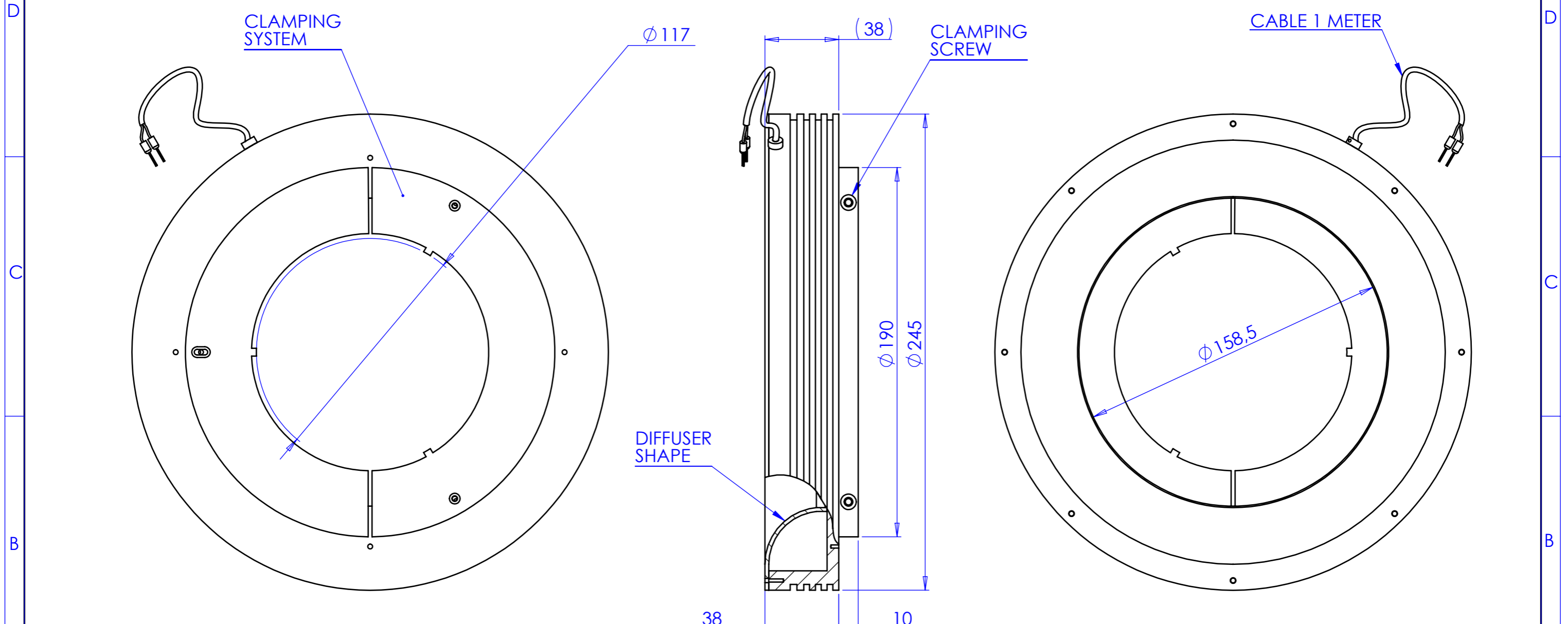


1 2 3 4 5 6 7 8

Rev No.	Description	Date	Name



Material	N.A.			Mass	590 g	Scale	1:2
Surface treatment	N.A.			Part No.	CO23499		
Geometrical tolerance (ISO 2768-2)			Class	K	Description		
Linear tolerance (ISO 2768-2)			Class	m	Undimensioned bevels	0.5x45°	LTRN245W 45
0.5 ±3	>3± 6	>6± 30	>30± 120	>120 ±400	>400± 1000	>1000 ±2000	
±0.1	±0.1	±0.2	±0.3	±0.5	±0.8	±1.2	±2
Undimensioned radii			R 0.5		Drawing No.		
			Date	Name	Sheet		
Designed 18/12/2014 Rodella Drawn 18/12/2014 Rodella Checked			Date 18/12/2014 Rodella Name 18/12/2014 Rodella		DP 23499-A 1/1		
all dimensions are in mm OPTO ENGINEERING S.r.l. - Mantova Italy - Tel. +39 0376 699111 - www.opto-engineering.com							
Secret and confidential - All rights reserved - No copy, dissemination or circulation is allowed unless specifically authorized in writing by OPTO ENGINEERING S.r.l. - Any violation shall be legally prosecuted.							

1 2 3 4 5 6 7 8

0 1 2 3 4 5 6 7 8 9 10