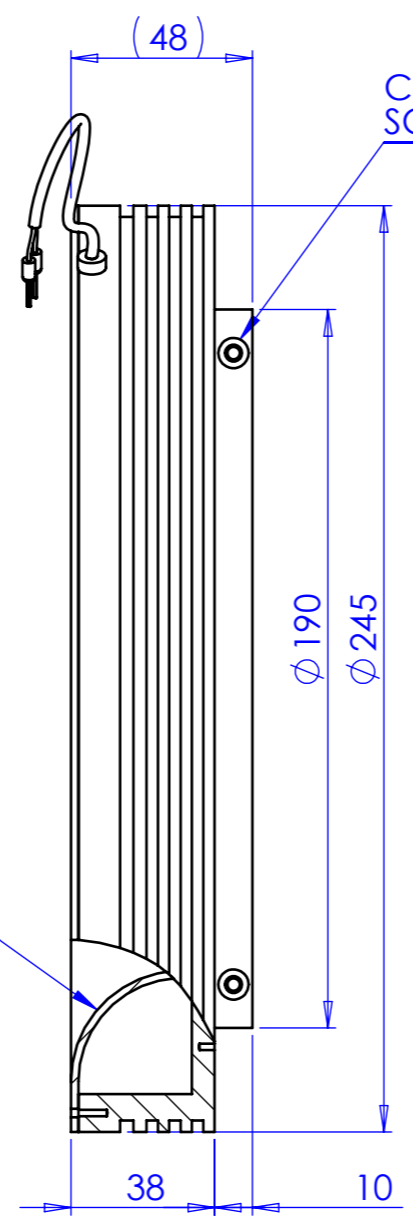
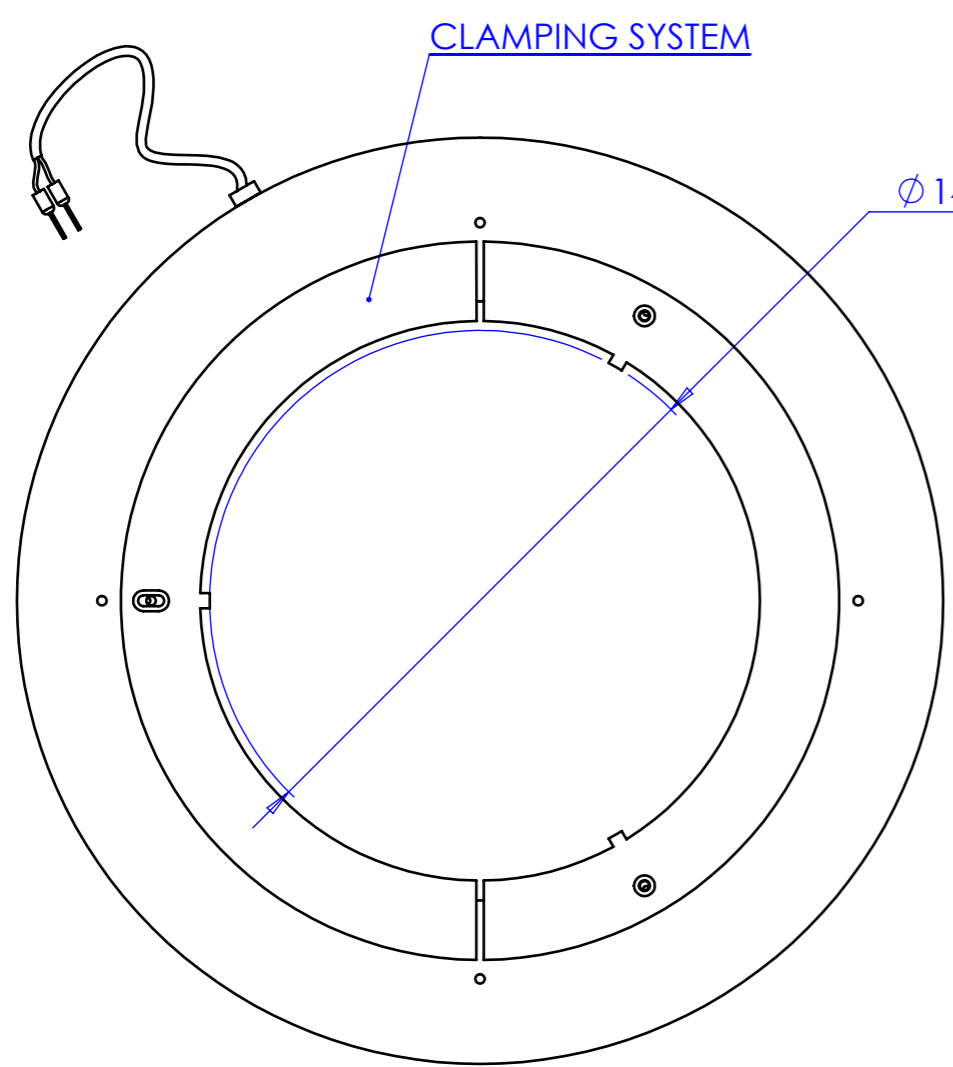
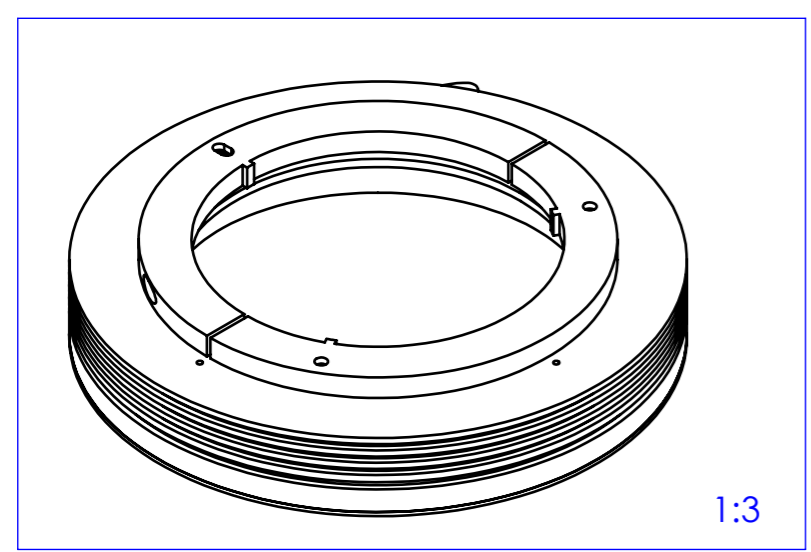
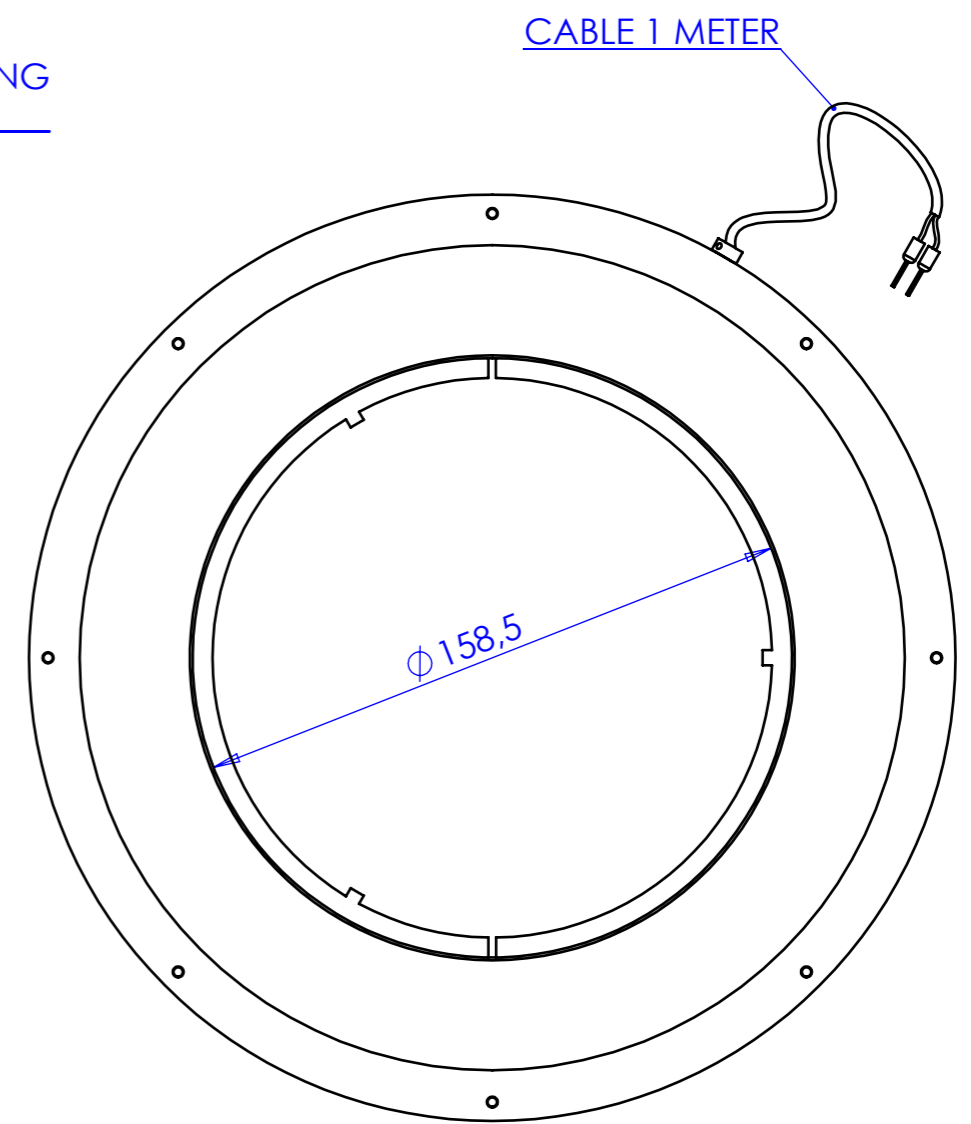


Rev No.	Description	Date	Name



DIFFUSER SHAPE



Material	N.A.	Mass	537 g	Scale	1:2	
Surface treatment	N.A.	Part No.	CO23495			
Geometrical tolerance (ISO 2768-2)		Class	K	Undimensioned bevels	0.5x45°	
Linear tolerance (ISO 2768-2)		Class	m	Undimensioned radii	R 0.5	
0.5 ±3	>3±6	>6±30	>30±120	>120 ±400	>400±1000	
±0.1	±0.1	±0.2	±0.3	±0.5	±0.8	
		>1000 ±2000	>2000 ±4000			
		±1.2	±2			
<p>OPTO ENGINEERING S.r.l. - Mantova Italy - Tel. +39 0376 699111 - www.opto-engineering.com</p>		Date	Name	Drawing No.	Sheet	
		Designed	18/12/2014	Rodella	DP 23495-A	1/1
		Drawn	18/12/2014	Rodella		
		Checked		Secret and confidential - All rights reserved - No copy, dissemination or circulation is allowed unless specifically authorized in writing by OPTO ENGINEERING S.r.l. - Any violation shall be legally prosecuted.		