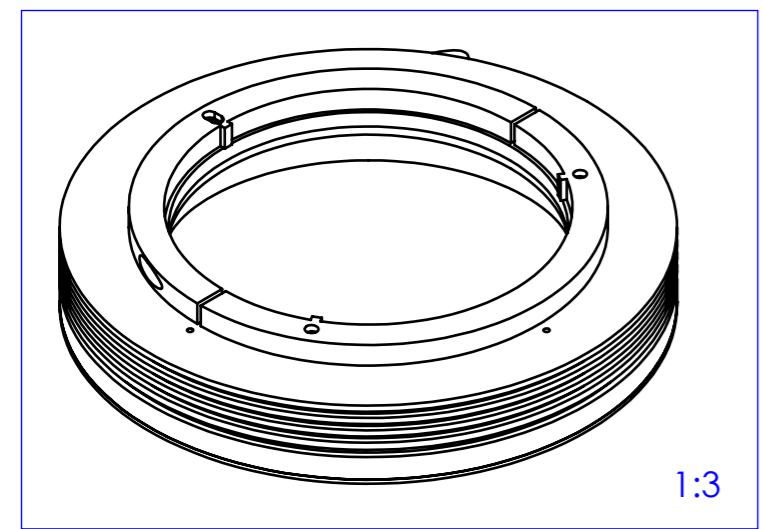
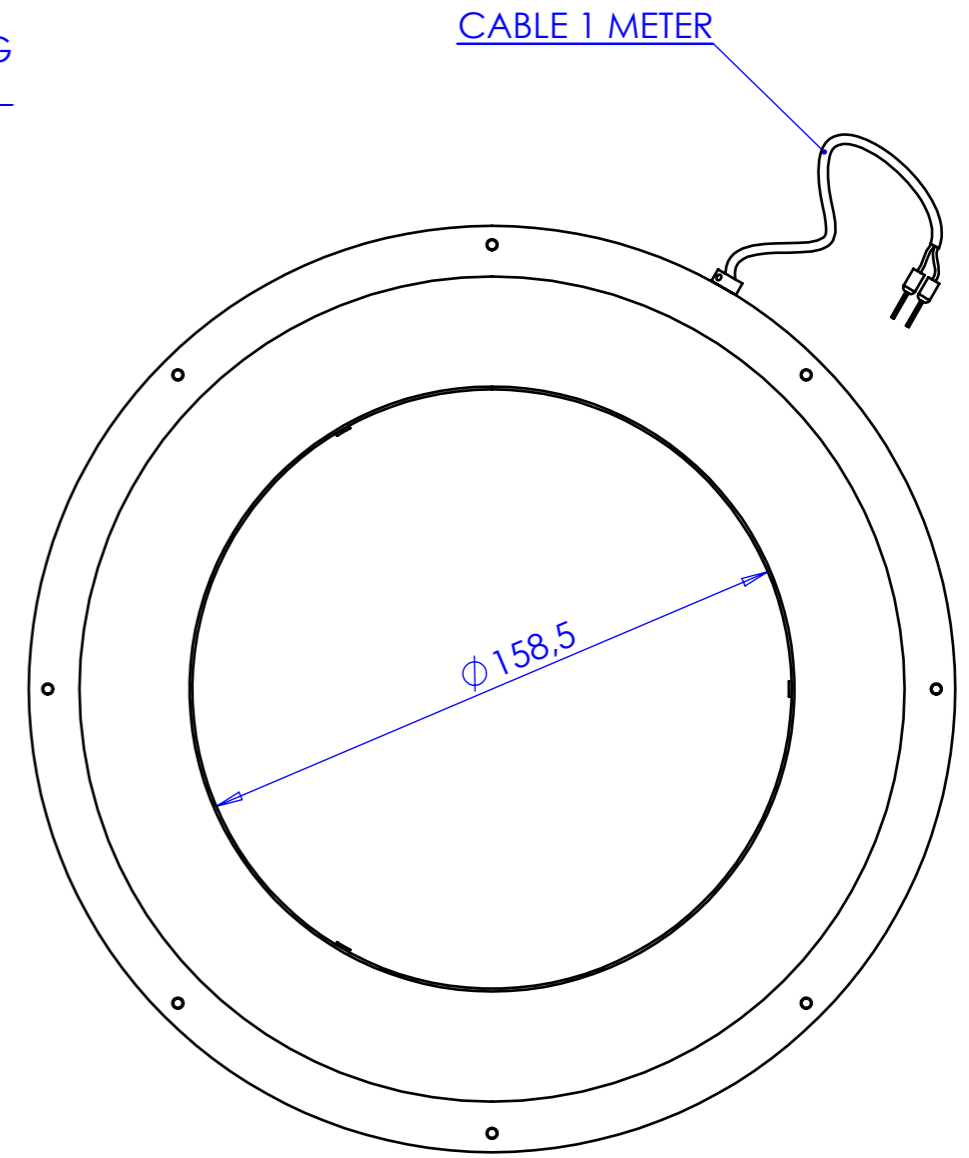
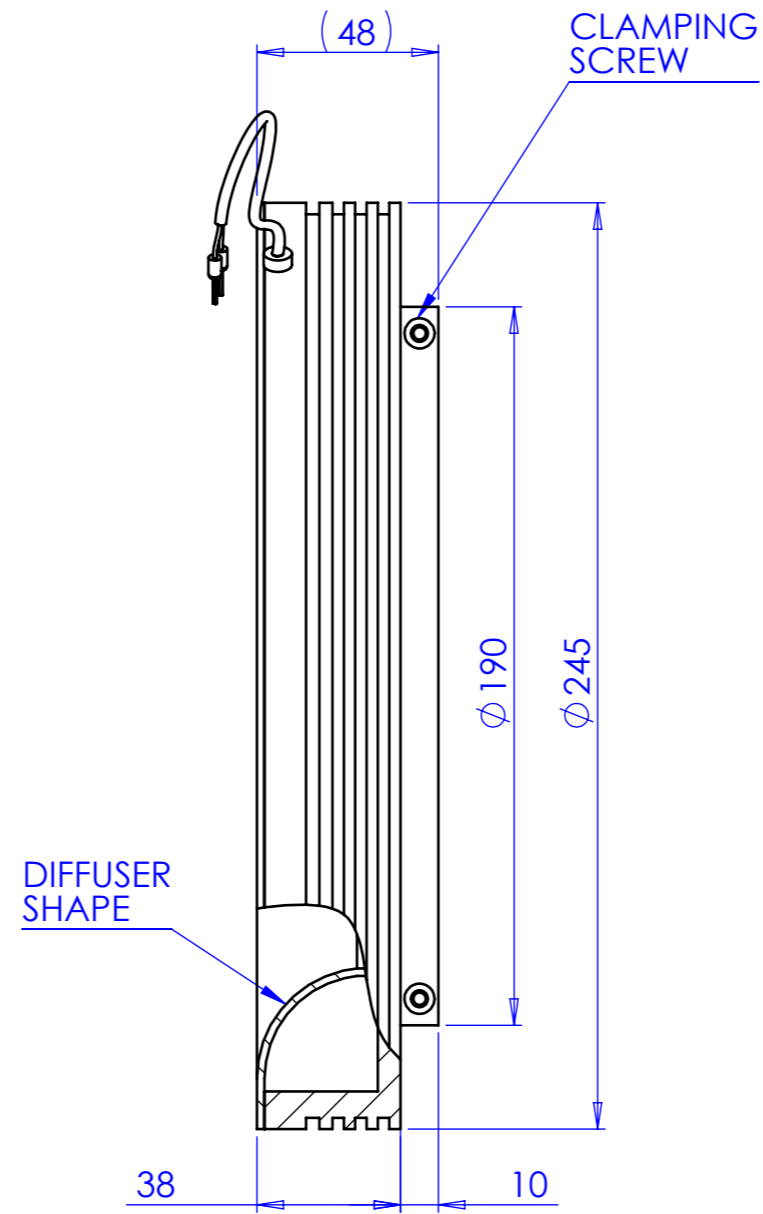
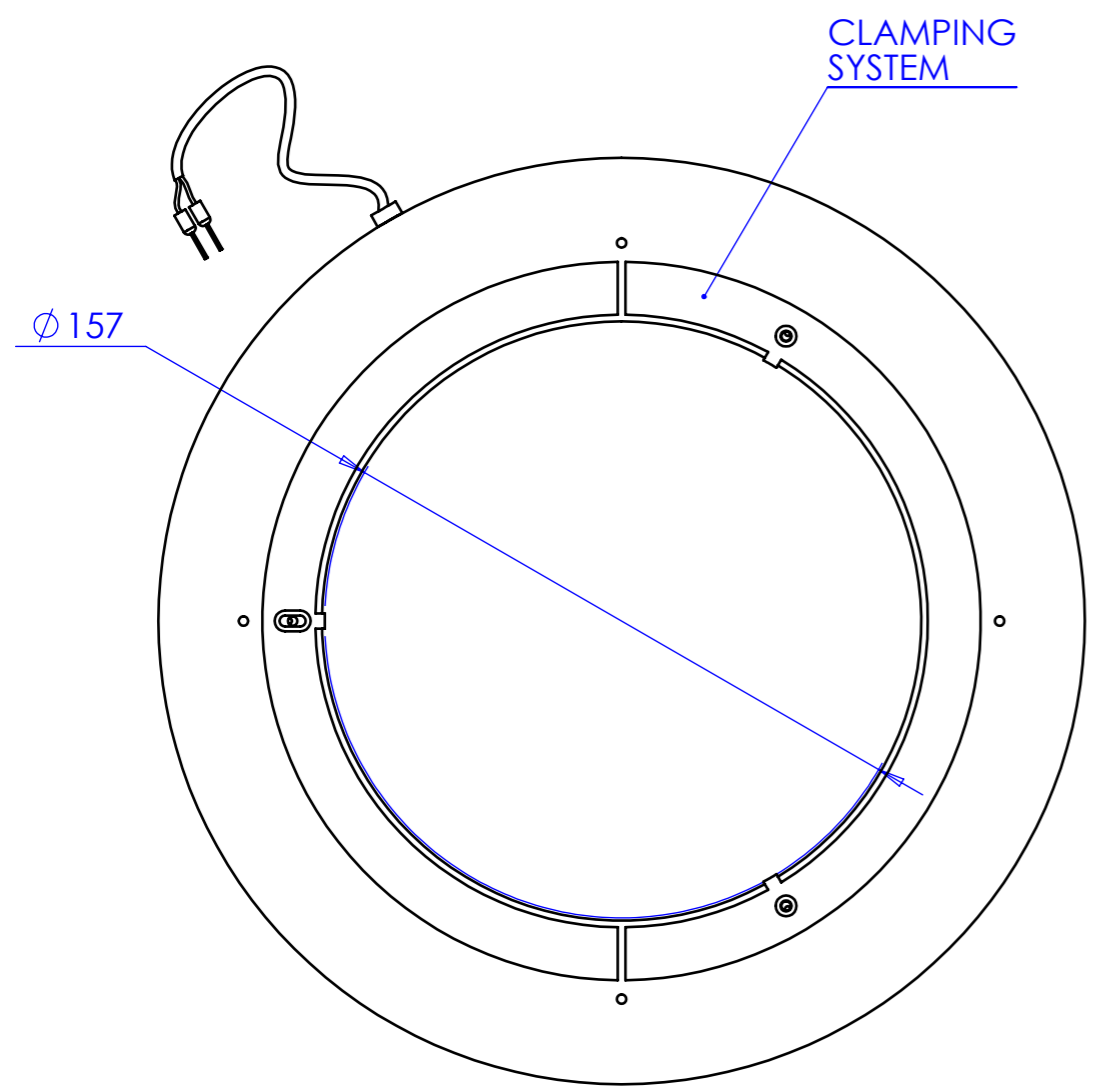


1 2 3 4 5 6 7 8

Rev No.	Description	Date	Name

D  
C  
B  
A

D  
C  
B  
A



Material	N.A.	Mass	504 g	Scale	1:2	
Surface treatment	N.A.	Part No.	CO23493			
Geometrical tolerance (ISO 2768-2)		Class	K	Undimensioned bevels	0,5x45°	
Linear tolerance (ISO 2768-2)		Class	m	Undimensioned radii	R 0.5	
0.5 ±3	>3±6	>6±30	>30±120	>120±400	>400±1000	
±0.1	±0.1	±0.2	±0.3	±0.5	±0.8	
		>1000 ±2000	>2000 ±4000			
		±1.2	±2			
<p>OPTO ENGINEERING S.r.l. - Mantova Italy - Tel. +39 0376 699111 - www.opto-engineering.com</p>		Date	Name	Drawing No.	Sheet	
		Designed	18/12/2014	Rodella	DP 23493-A	1/1
		Drawn	18/12/2014	Rodella		
		Checked		Secret and confidential - All rights reserved - No copy, dissemination or circulation is allowed unless specifically authorized in writing by OPTO ENGINEERING S.r.l. - Any violation shall be legally prosecuted.		

1 2 3 4 5 6 7 8

0 1 2 3 4 5 6 7 8 9 10