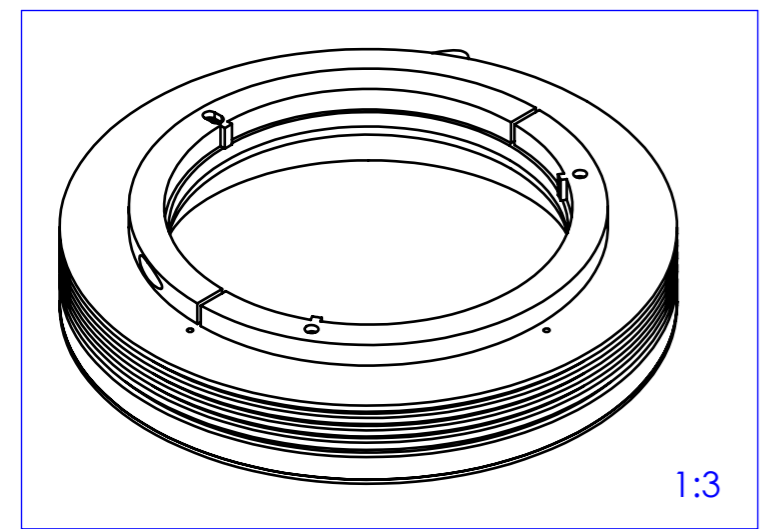
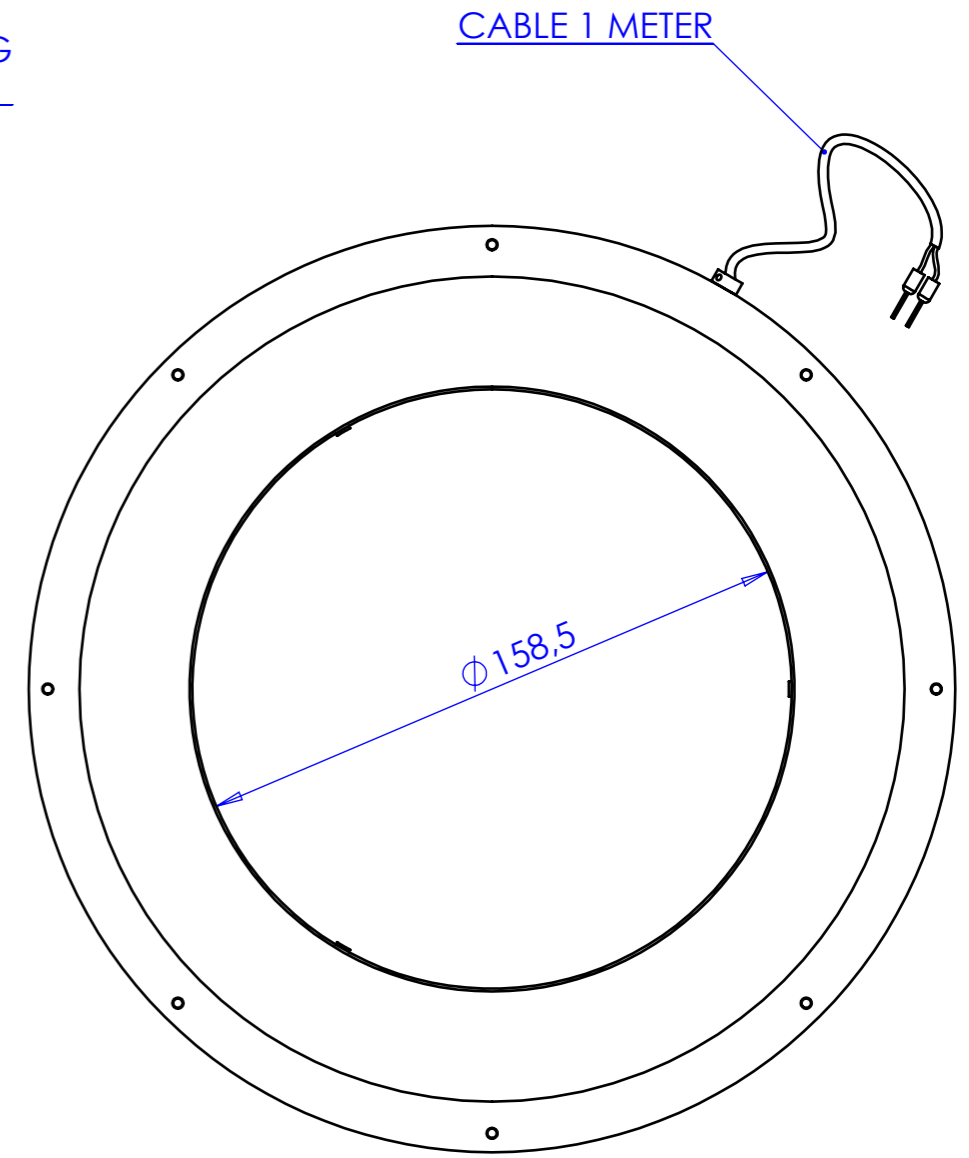
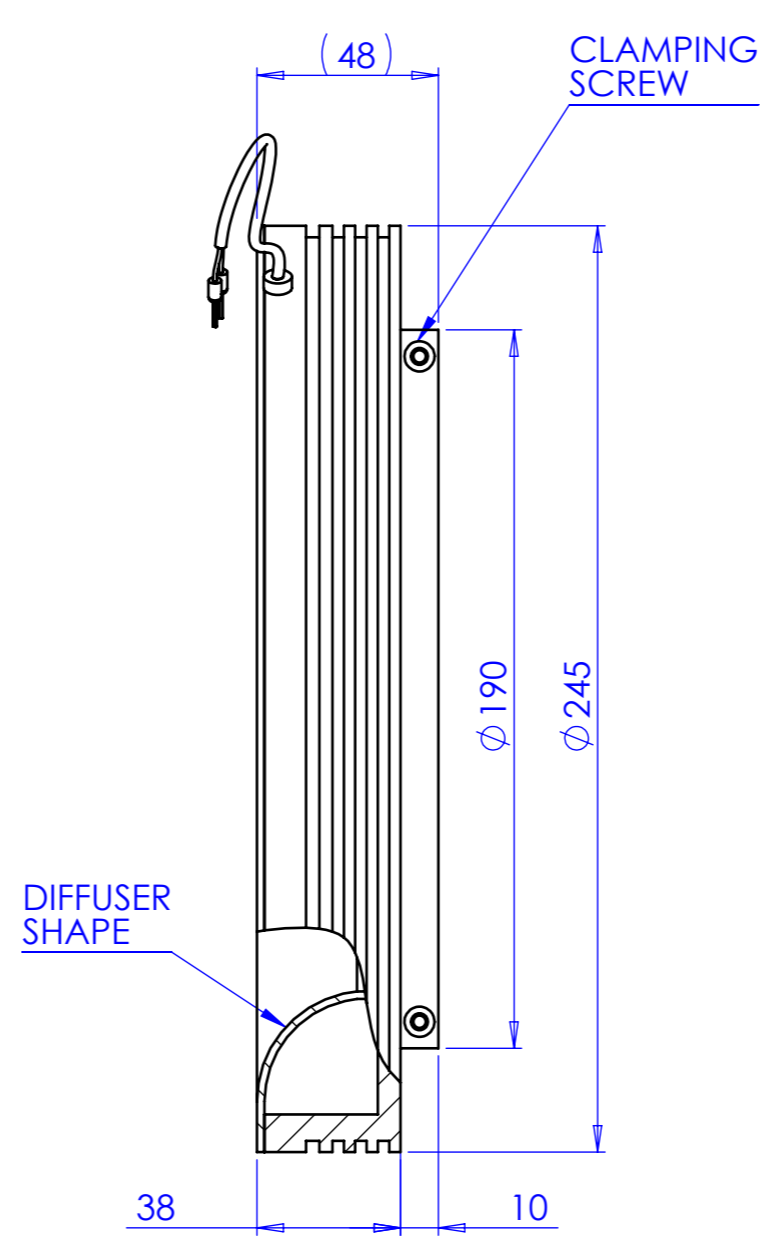
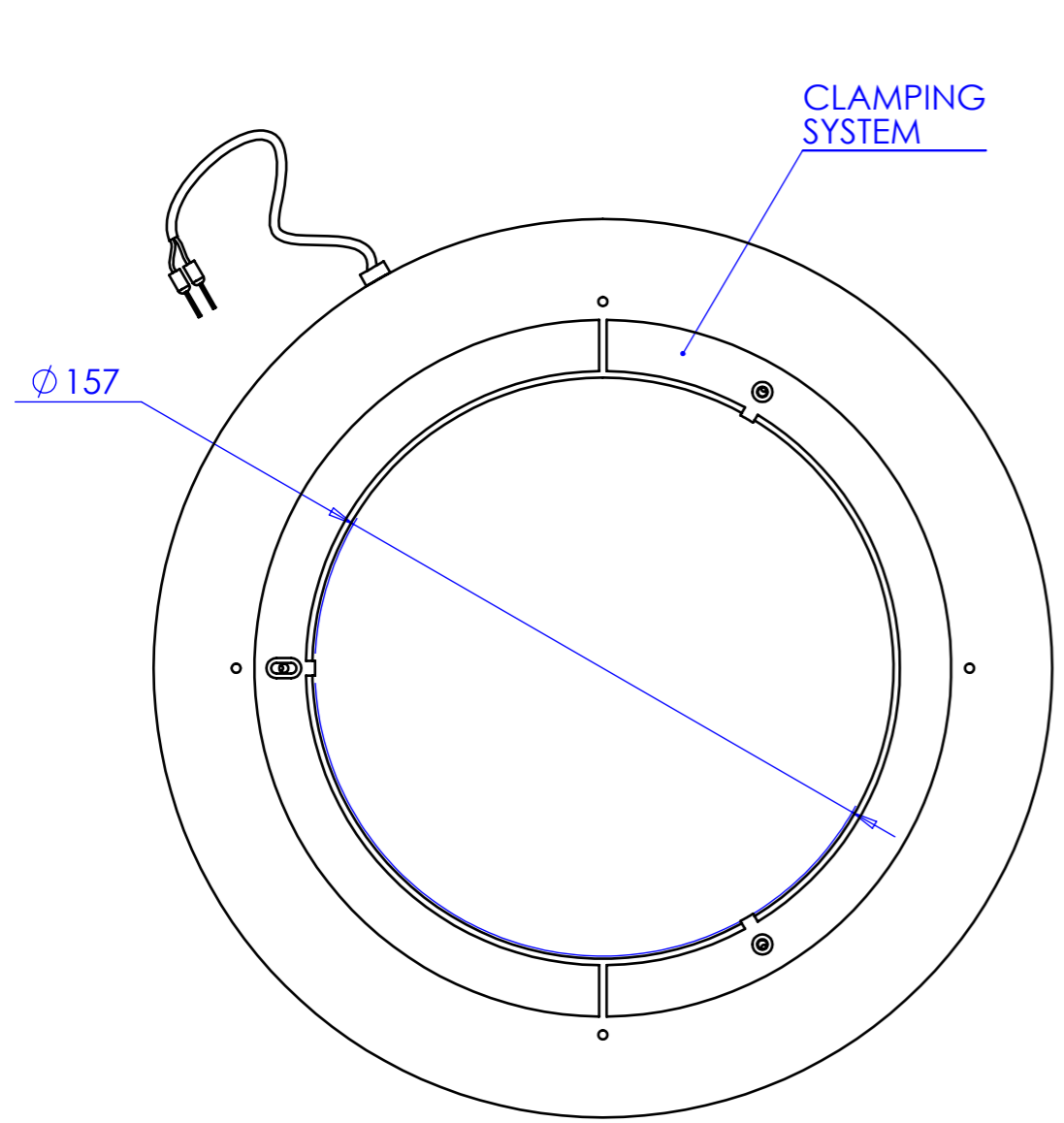


Rev No.	Description	Date	Name



Material	N.A.	Mass	504 g	Scale	1:2
Surface treatment	N.A.	Part No.	CO23492		
Geometrical tolerance (ISO 2768-2)		Class	K	Undimensioned bevels	0,5x45°
Linear tolerance (ISO 2768-2)		Class	m	Undimensioned radii	R 0.5
0.5 ±3	>3±6	>6±30	>30±120	>120 ±400	>400±1000
±0.1	±0.1	±0.2	±0.3	±0.5	±0.8
					>1000 ±2000
					>2000 ±4000
					±2
Date		Name		Drawing No.	
Designed 18/12/2014		Rodella		DP 23492-A	
Drawn 18/12/2014		Rodella		Sheet 1/1	
Checked					
<p>all dimensions are in mm</p> <p><b>OPTO ENGINEERING</b> THE T. ENGINEERING COMPANY</p> <p>OPTO ENGINEERING S.r.l. - Mantova Italy - Tel. +39 0376 699111 - www.opto-engineering.com</p>					
<p>Secret and confidential - All rights reserved - No copy, dissemination or circulation is allowed unless specifically authorized in writing by OPTO ENGINEERING S.r.l. - Any violation shall be legally prosecuted.</p>					