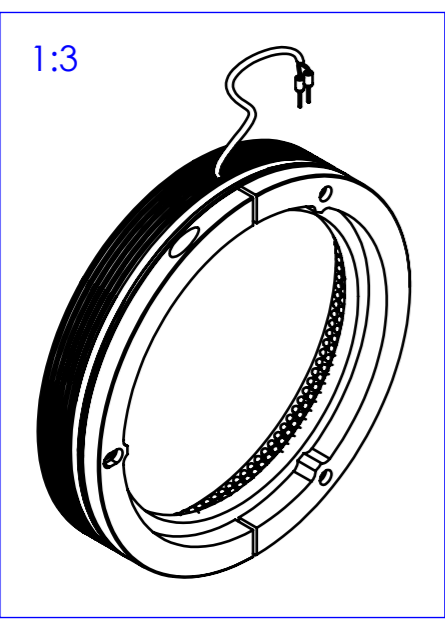
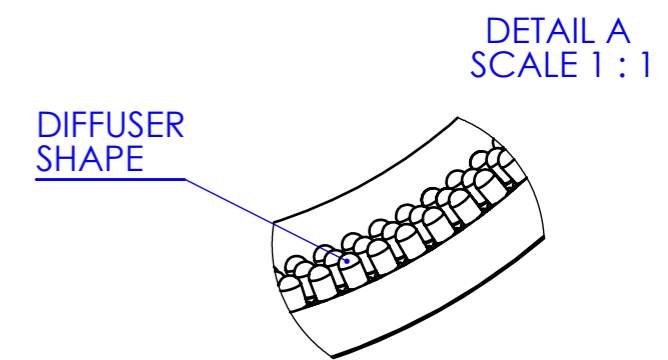
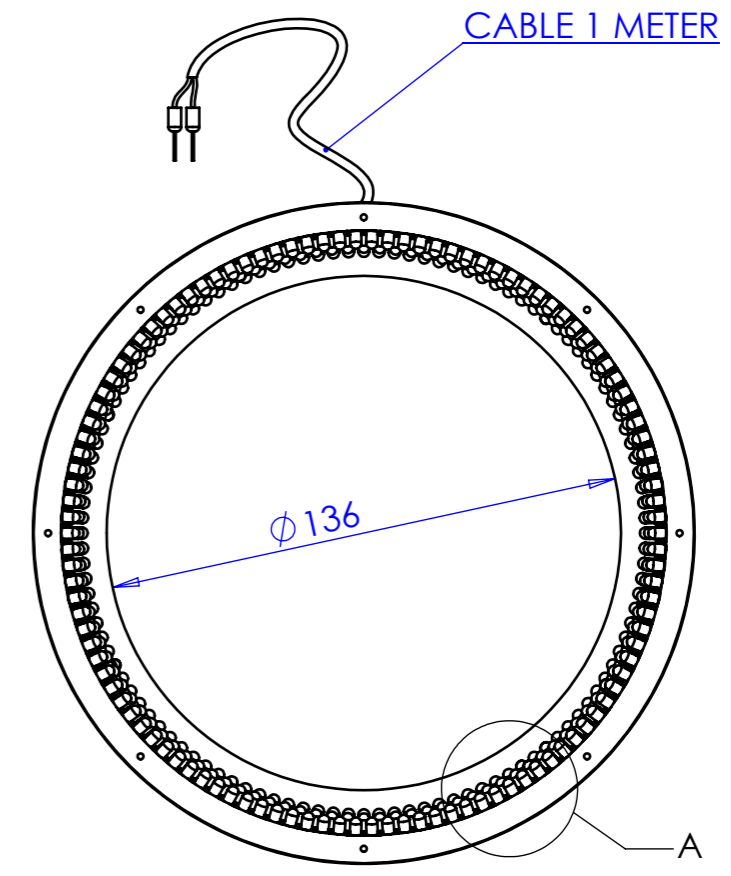
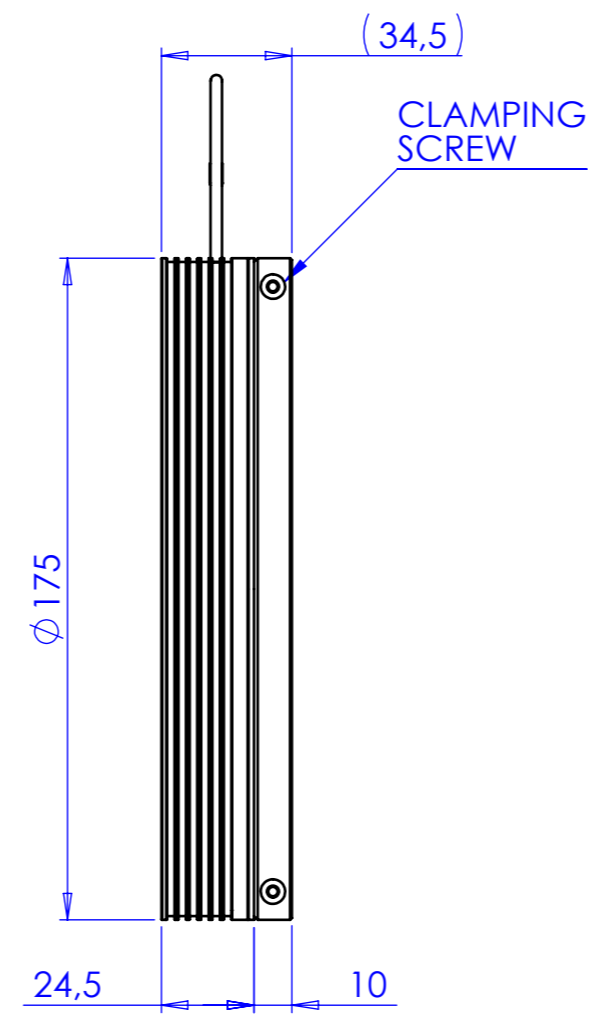
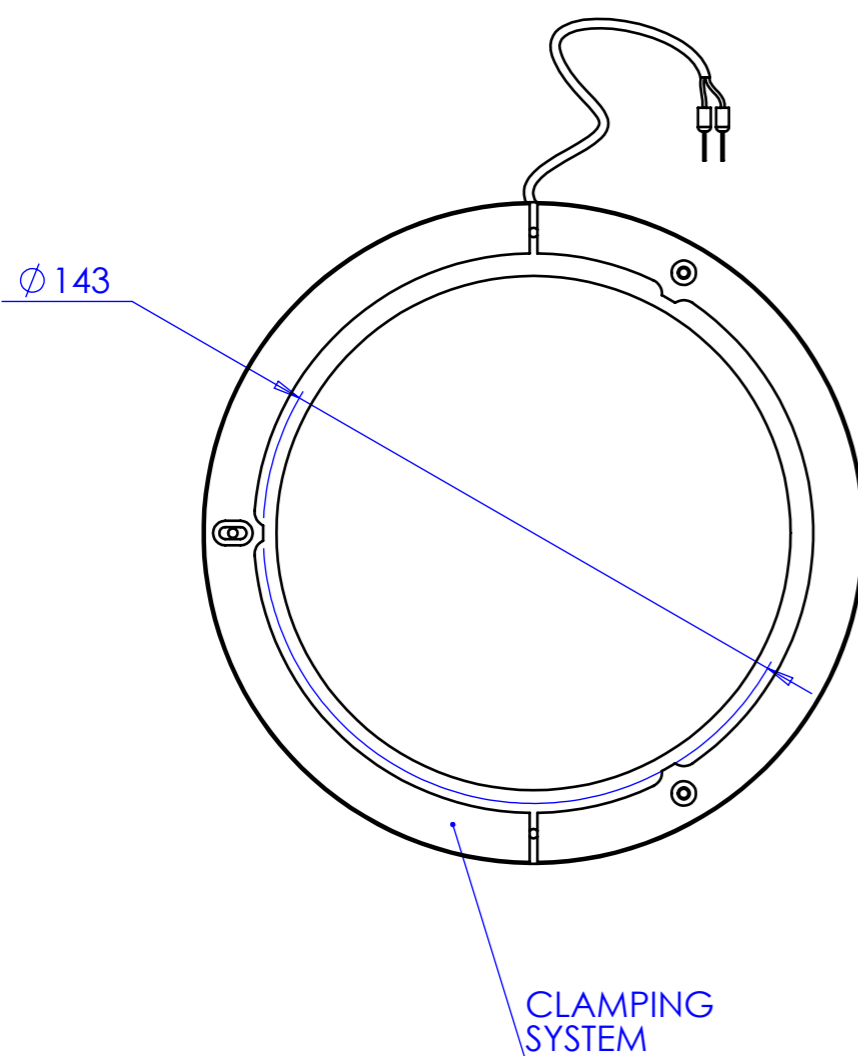


Rev No.	Description	Date	Name



Material		N.A.		Mass		155 g		Scale		1:2			
Surface treatment		N.A.		Part No.		CO23489							
Geometrical tolerance (ISO 2768-2)								Class		K		Description	
Linear tolerance (ISO 2768-2)								Class		m			0,5x45° R 0.5
0.5 ±3	>3± 6	>6± 30	>30± 120	>120 ±400	>400± 1000	>1000 ±2000	>2000 ±4000	Undimensioned bevels		0,5x45°			
±0.1	±0.1	±0.2	±0.3	±0.5	±0.8	±1.2	±2	Undimensioned radii		R 0.5			
				Date		Name		Drawing No.		Sheet			
				Designed		18/12/2014		Rodella		DP 23489-A		1/1	
				Drawn		18/12/2014		Rodella					
all dimensions are in mm OPTO ENGINEERING S.r.l. - Mantova Italy - Tel. +39 0376 699111 - www.opto-engineering.com				Checked				Secret and confidential - All rights reserved - No copy, dissemination or circulation is allowed unless specifically authorized in writing by OPTO ENGINEERING S.r.l. - Any violation shall be legally prosecuted.					