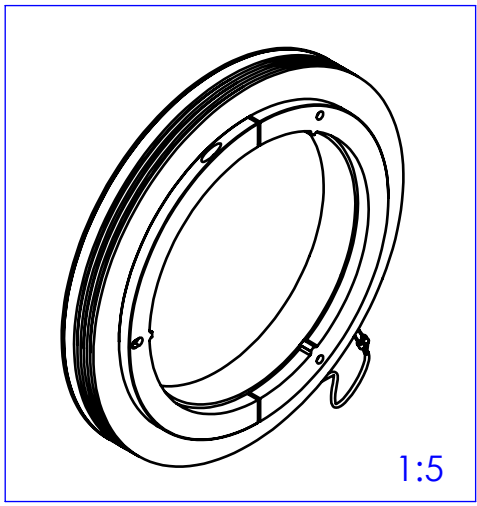
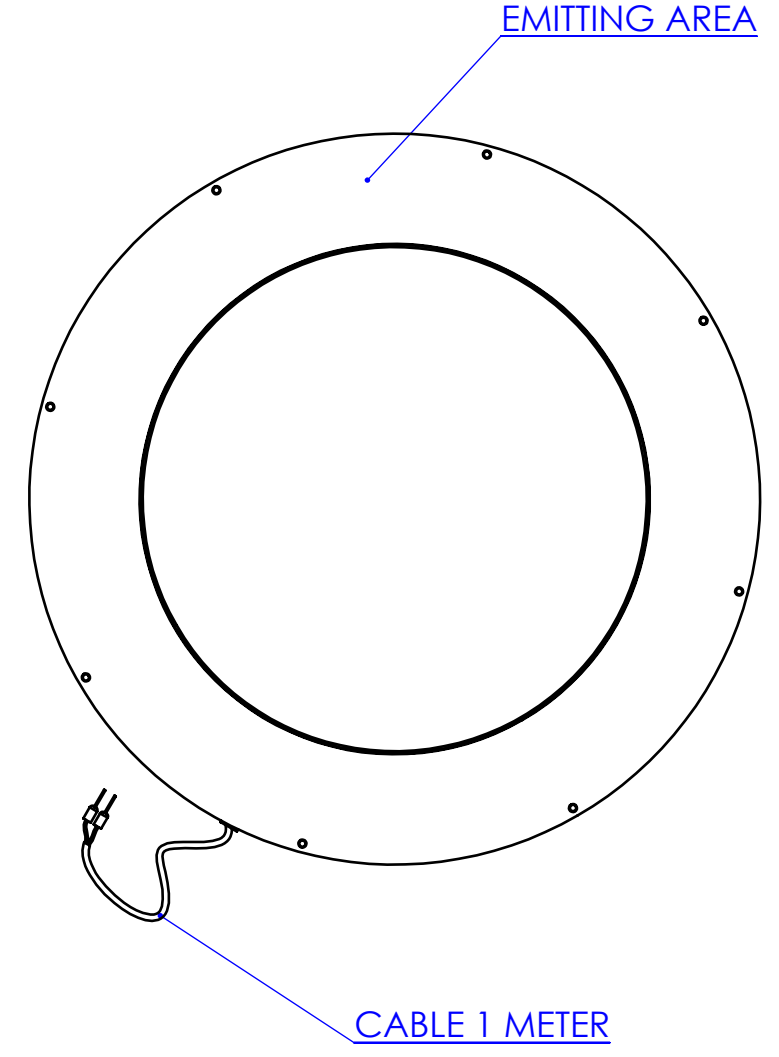
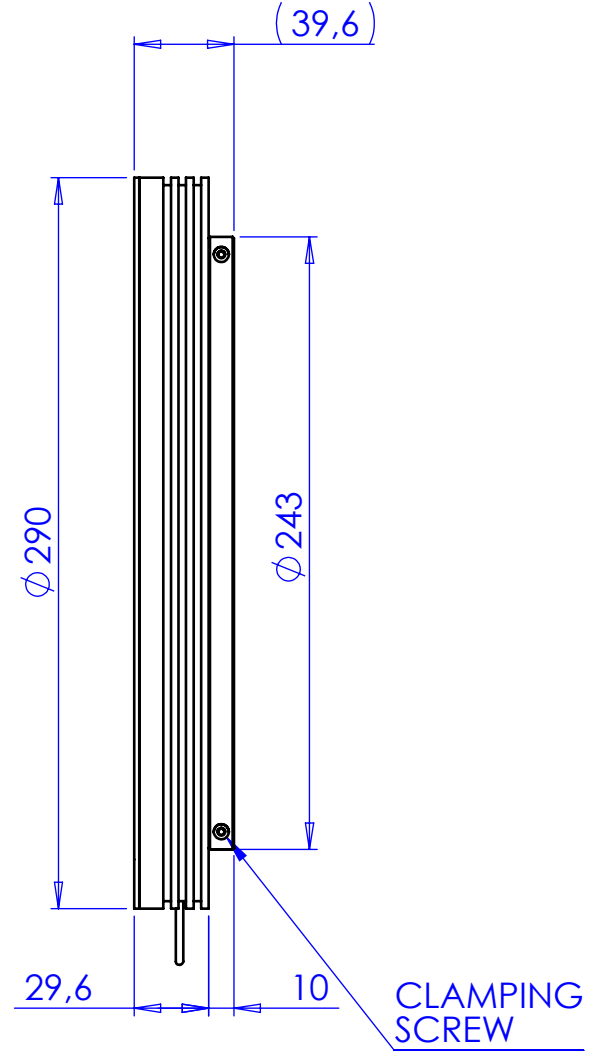
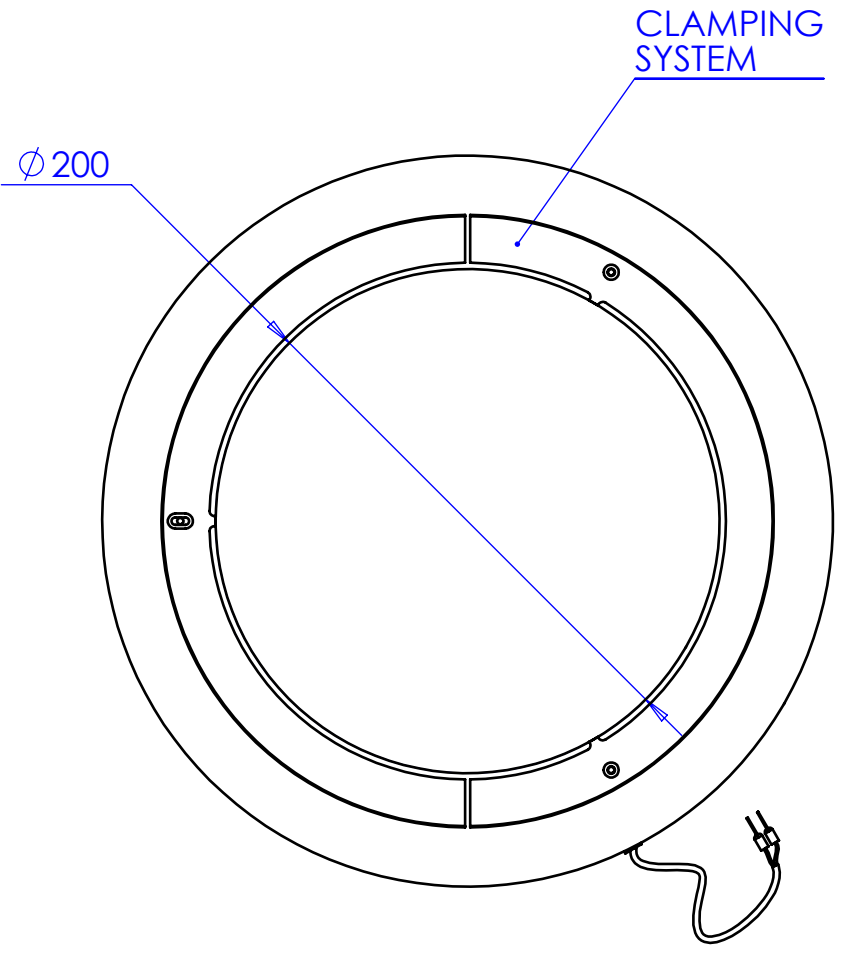


1 2 3 4 5 6 7 8

Rev No.	Description	Date	Name



Material	N.A.		Mass	674 g	Scale	1:3
Surface treatment	N.A.		Part No.	CO23481		
Geometrical tolerance (ISO 2768-2)			Class	K	Undimensioned bevels	
Linear tolerance (ISO 2768-2)			Class	m	0.5x45°	
0.5	>3	>6	>30	>120	>400	>1000
±3	±6	±30	±120	±400	±1000	±2000
±0.1	±0.1	±0.2	±0.3	±0.5	±0.8	±1.2
Undimensioned radii			R 0.5		Description	
					LTRN144NW	
			Date	Name	Drawing No.	Sheet
			18/12/2014	Rodella	DP 23481 -A	1/1
			18/12/2014	Rodella		
			<i>Secret and confidential - All rights reserved - No copy, dissemination or circulation is allowed unless specifically authorized in writing by OPTO ENGINEERING S.r.l. - Any violation shall be legally prosecuted.</i>			

all dimensions are in mm



OPTO ENGINEERING S.r.l. - Mantova Italy - Tel. +39 0376 699111 - www.opto-engineering.com

1 2 3 4 5 6 7 8

0 1 2 3 4 5 6 7 8 9 10