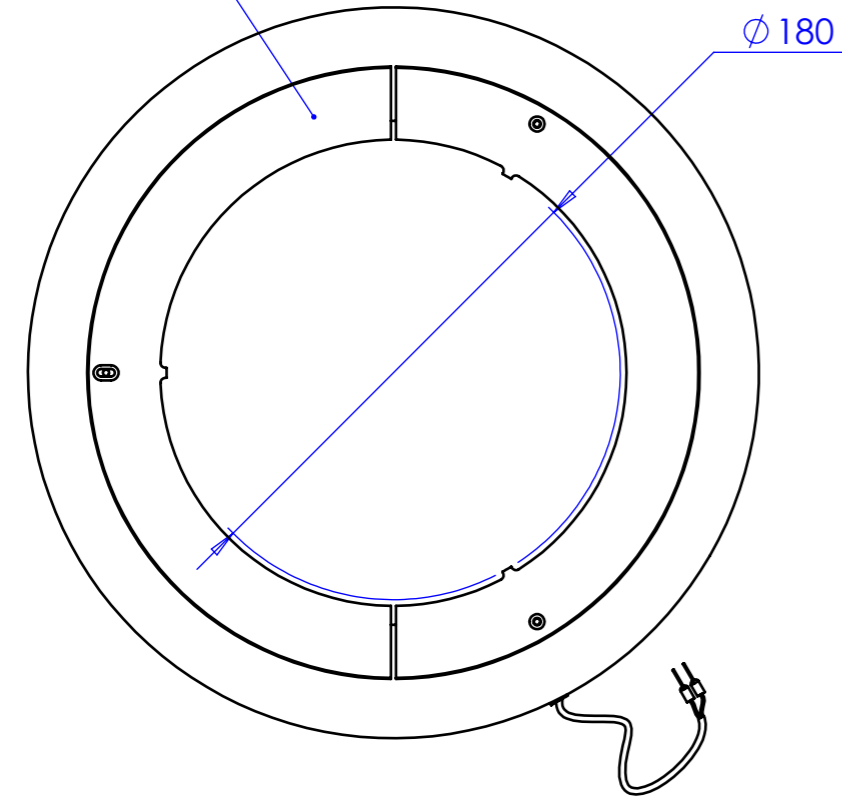
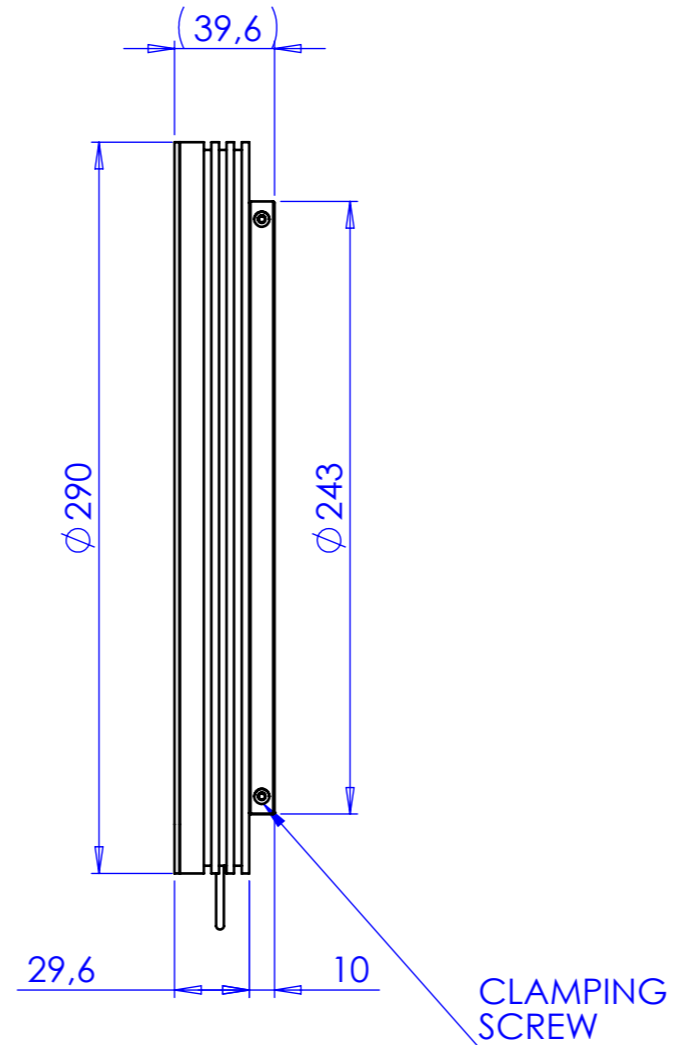


CLAMPING SYSTEM

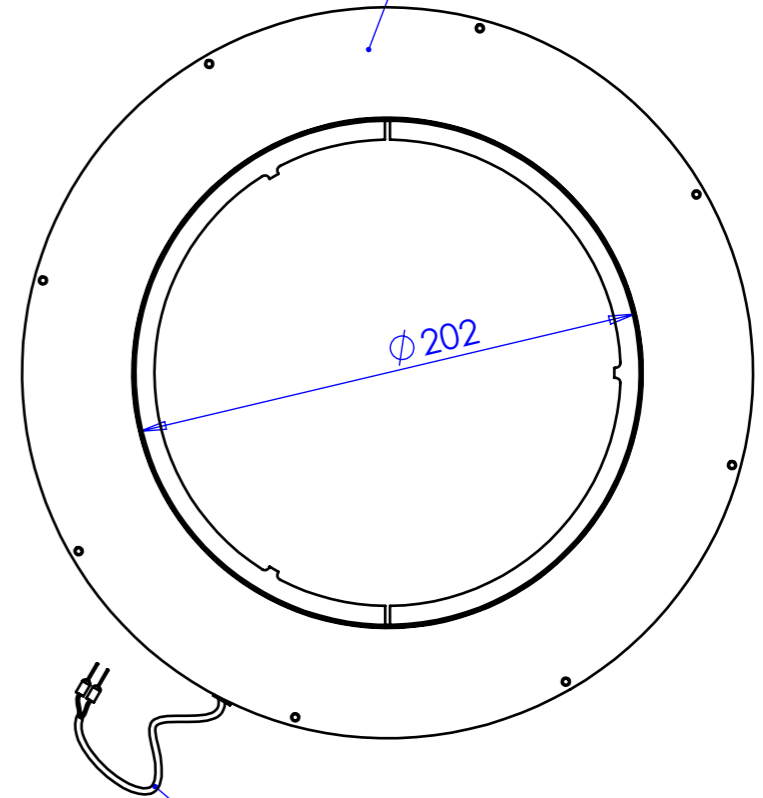


Ø 180



CLAMPING SCREW

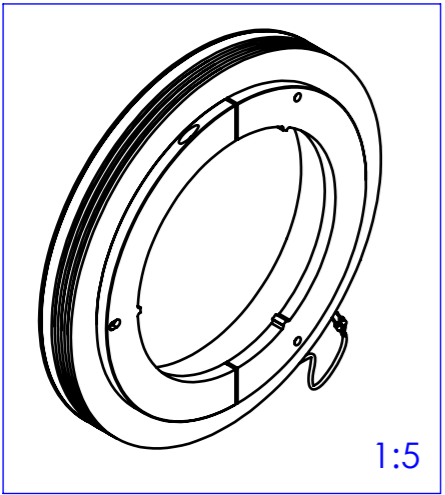
EMITTING AREA




Ø 202

CABLE 1 METER

Rev No.	Description	Date	Name



1:5

Material		N.A.		Mass		735 g		Scale		1:3							
Surface treatment		N.A.		Part No.		CO23480											
Geometrical tolerance (ISO 2768-2)								Class		K							
Linear tolerance (ISO 2768-2)								Class		m							
0.5	>3÷	>6÷	>30÷	>120	>400÷	>1000	>2000	Undimensioned bevels	0.5x45°								
±3	6	30	120	±400	±1000	±2000	±4000	Undimensioned radii	R 0.5								
±0.1	±0.1	±0.2	±0.3	±0.5	±0.8	±1.2	±2	Description		LTRN120BL							
 <p>OPTO ENGINEERING S.r.l. - Mantova Italy - Tel. +39 0376 699111 - www.opto-engineering.com</p>								Date		Name		Drawing No.		Sheet			
								Designed		18/12/2014		Rodella		DP 23480-A		1/1	
								Drawn		18/12/2014		Rodella					
<p>all dimensions are in mm</p>								<p>Secret and confidential - All rights reserved - No copy, dissemination or circulation is allowed unless specifically authorized in writing by OPTO ENGINEERING S.r.l. - Any violation shall be legally prosecuted.</p>									