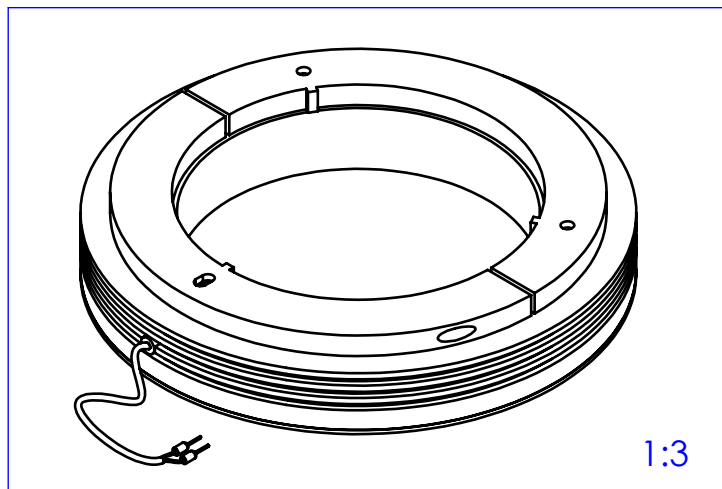
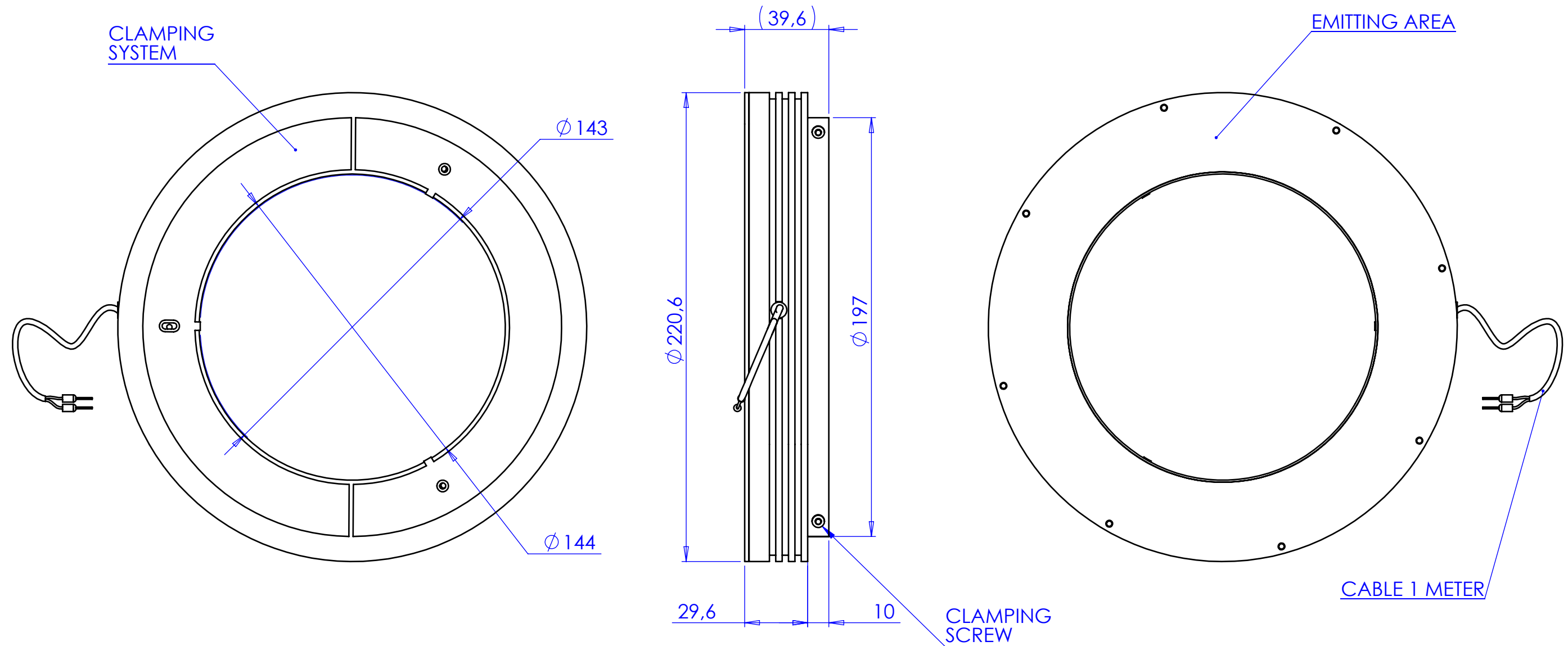


| Rev No. | Description | Date | Name |
|---------|-------------|------|------|
|         |             |      |      |
|         |             |      |      |
|         |             |      |      |



|   |      |      |      |          |       |         |       |                     |            |                      |            |  |
|---|------|------|------|----------|-------|---------|-------|---------------------|------------|----------------------|------------|--|
| Material  |      | N.A. |      | Mass     |       | 468 g   |       | Scale               |            | 1:2                  |            |  |
| Surface treatment   |      | N.A. |      | Part No. |       | CO23463 |       |                     |            |                      |            |  |
| Geometrical tolerance (ISO 2768-2)  |      |      |      |          |       |         |       | Class               | K          | Description          |            |  |
| Linear tolerance (ISO 2768-2)   |      |      |      |          |       |         |       | Class               | m          | Undimensioned bevels | 0,5x45°    |  |
| 0,5   | >3   | >6   | >30  | >120     | >400  | >1000   | >2000 | Undimensioned radii | R 0,5      | LTRN096NW            |            |  |
| ±3  | ±6   | ±30  | ±120 | ±400     | ±1000 | ±2000   | ±4000 |                     |            | Drawing No.          | Sheet      |  |
| ±0,1  | ±0,1 | ±0,2 | ±0,3 | ±0,5     | ±0,8  | ±1,2    | ±2    |                     |            | DP 23463-A           | 1/1        |  |
| <p>OPTO ENGINEERING S.r.l. - Mantova Italy - Tel. +39 0376 699111 - www.opto-engineering.com</p>  |      |      |      |          |       |         |       | Date                | Name       | Drawing No.          |            |  |
|   |      |      |      |          |       |         |       | Designed            | 18/12/2014 | Rodella              | DP 23463-A |  |
|   |      |      |      |          |       |         |       | Drawn               | 18/12/2014 | Rodella              |            |  |
|   |      |      |      |          |       |         |       | Checked             |            |                      |            |  |
| <i>Secret and confidential - All rights reserved - No copy, dissemination or circulation is allowed unless specifically authorized in writing by OPTO ENGINEERING S.r.l. - Any violation shall be legally prosecuted.</i> |      |      |      |          |       |         |       |                     |            |                      |            |  |