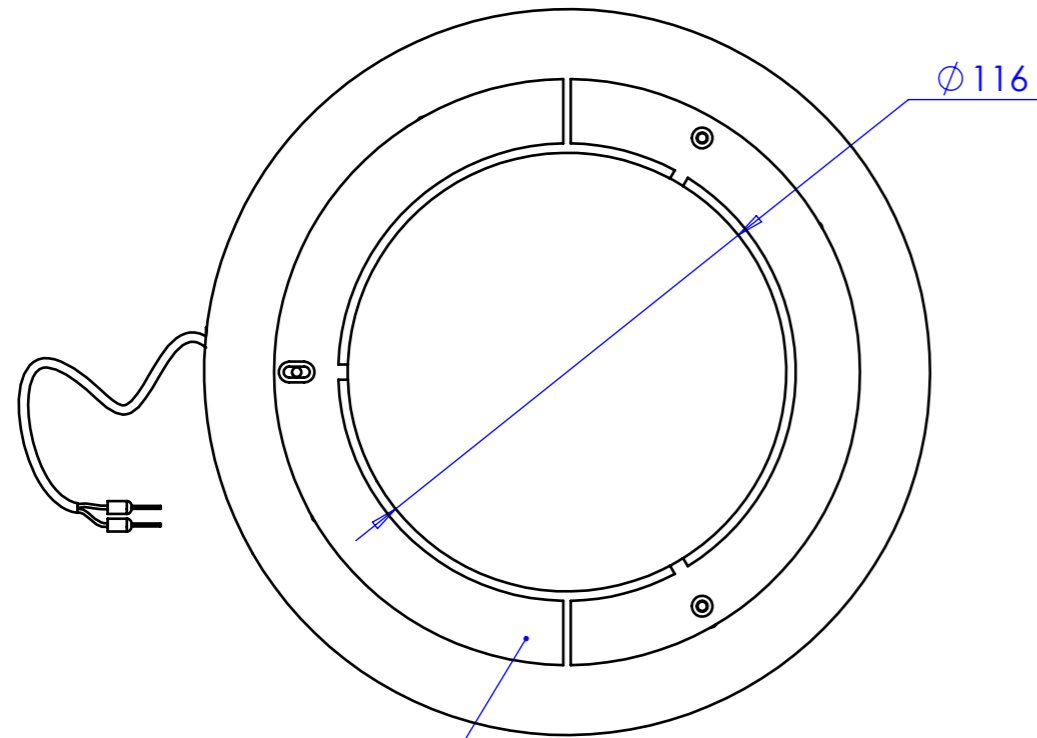
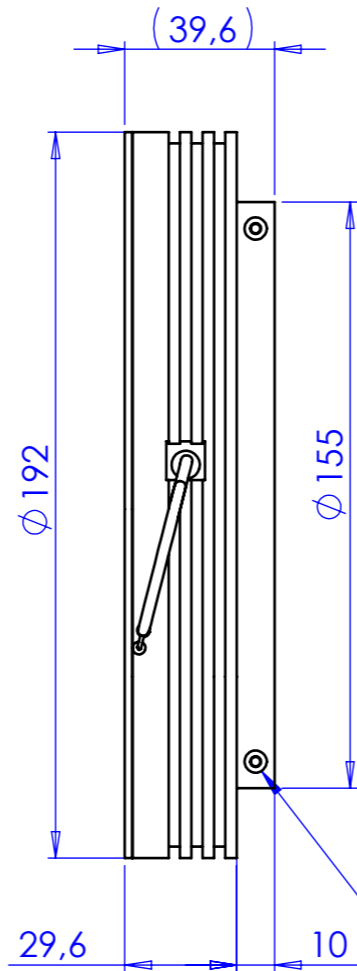


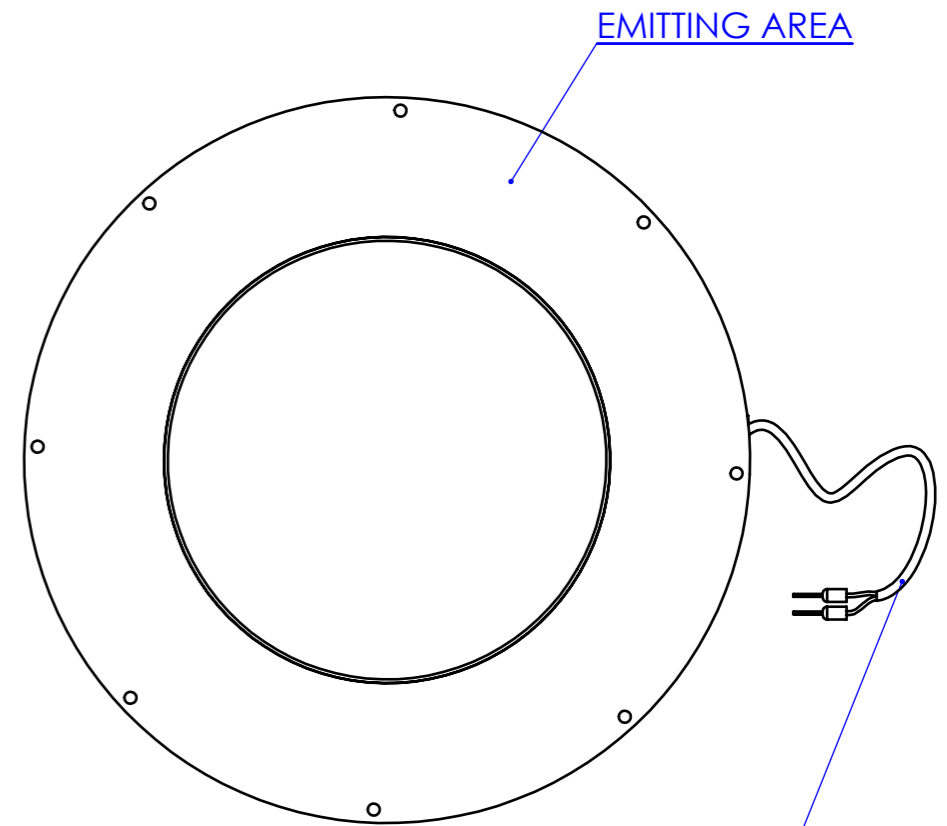
Rev No.	Description	Date	Name



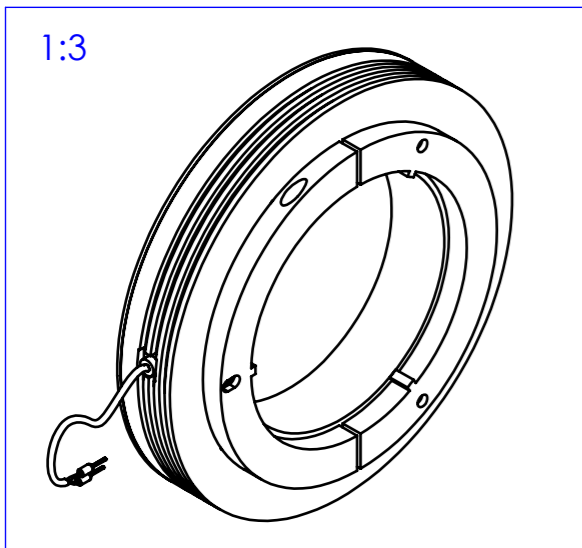
CLAMPING SYSTEM



CLAMPING SCREW



CABLE 1 METER



1:3

Material	N.A.			Mass	355 g	Scale	1:2
Surface treatment	N.A.			Part No.	CO23462		
Geometrical tolerance (ISO 2768-2)			Class	K	Description		
Linear tolerance (ISO 2768-2)			Class	m	Undimensioned bevels	0.5x45°	LTRN080BL
0.5 ±3	>3± 6	>6± 30	>30± 120	>120 ±400	>400± 1000	>1000 ±2000	
±0.1	±0.1	±0.2	±0.3	±0.5	±0.8	±1.2	±2
Undimensioned radii			R 0.5		Drawing No.		
			Date	Name	Sheet		
Designed 18/12/2014 Rodella			Drawing No. DP 23462-A			Sheet 1/1	
Drawn 18/12/2014 Rodella			<i>Secret and confidential - All rights reserved - No copy, dissemination or circulation is allowed unless specifically authorized in writing by OPTO ENGINEERING S.r.l. - Any violation shall be legally prosecuted.</i>				
Checked			OPTO ENGINEERING S.r.l. - Mantova Italy - Tel. +39 0376 699111 - www.opto-engineering.com				

all dimensions are in mm