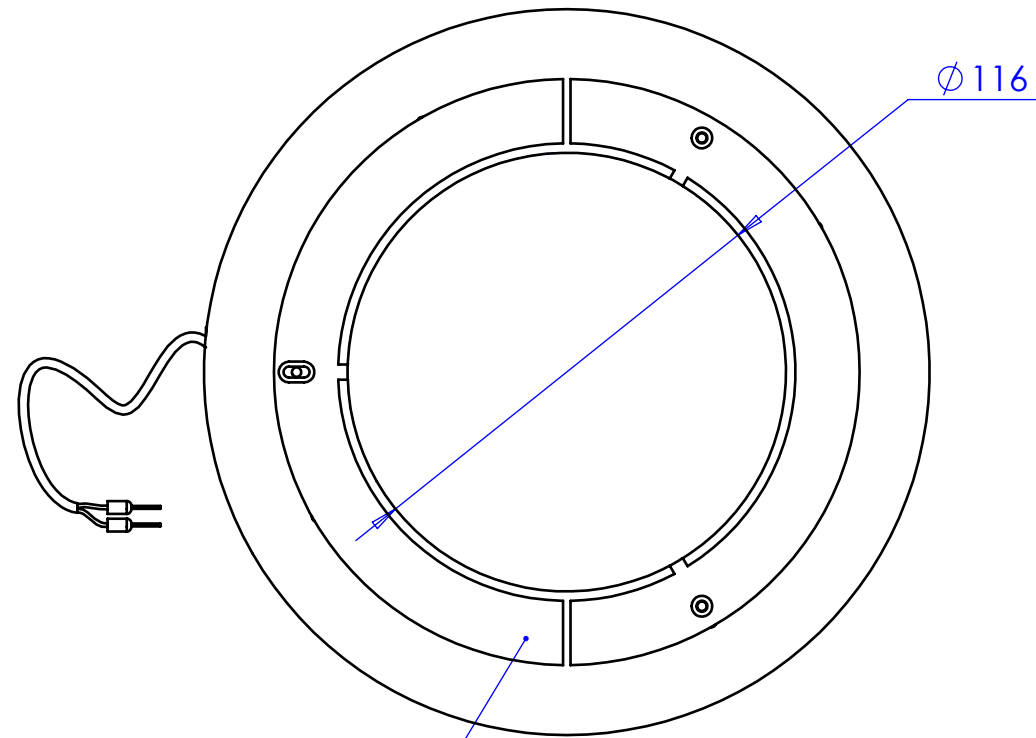
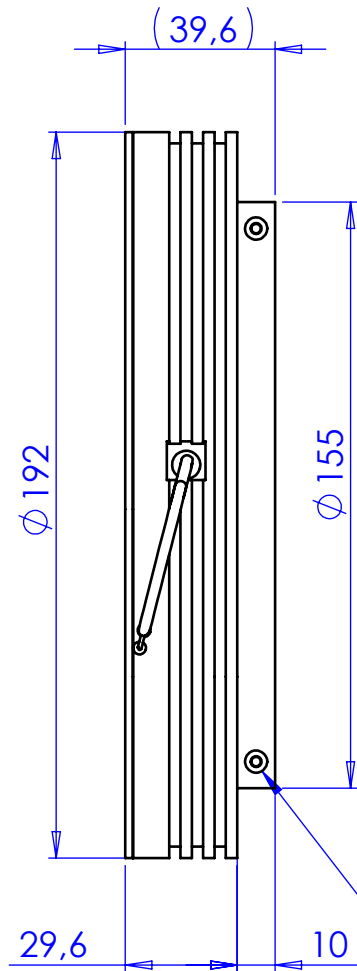


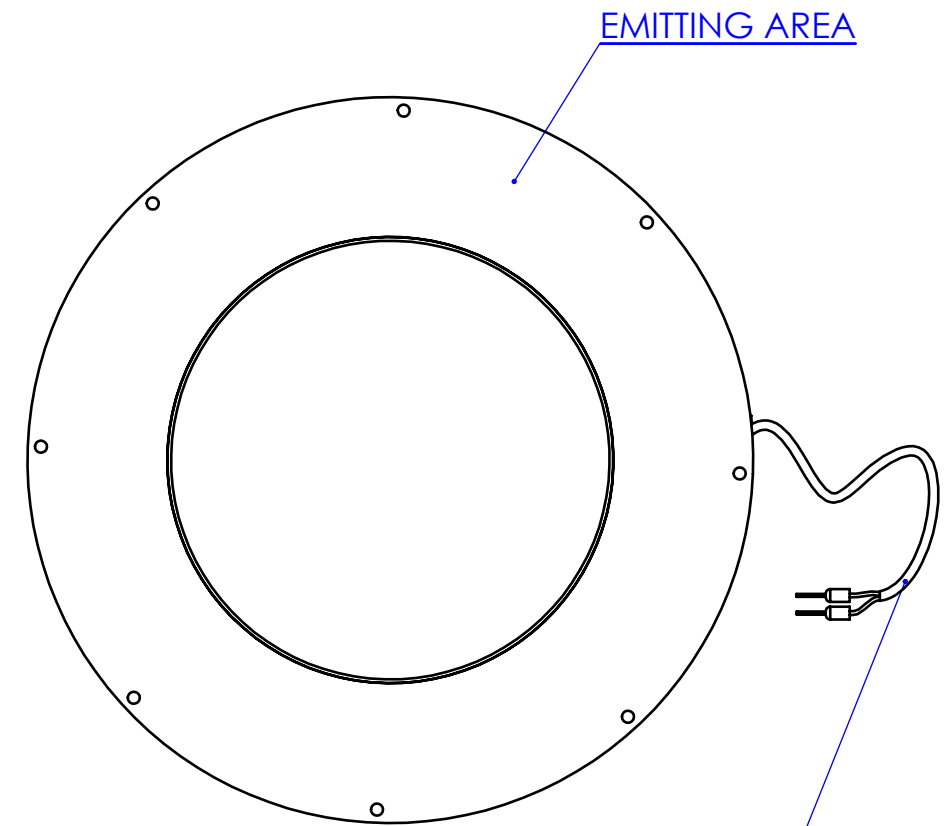
Rev No.	Description	Date	Name



CLAMPING SYSTEM

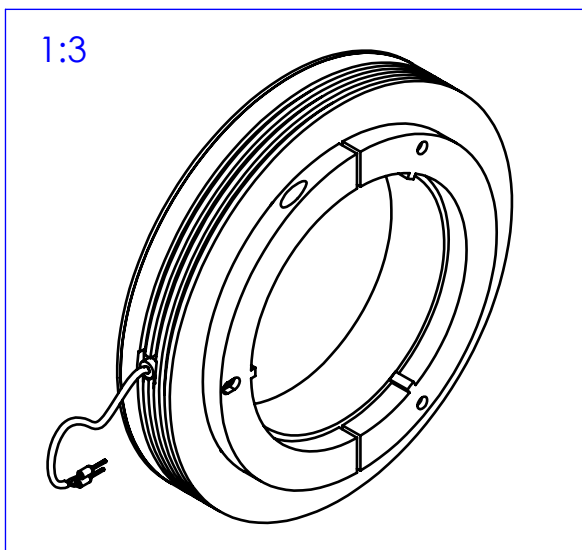


CLAMPING SCREW



EMITTING AREA

CABLE 1 METER



Material	N.A.		Mass	355 g	Scale	1:2	
Surface treatment	N.A.		Part No.	CO23461			
Geometrical tolerance (ISO 2768-2)		Class	K	Undimensioned bevels	0,5x45°	Description	
Linear tolerance (ISO 2768-2)		Class	m	Undimensioned radii	R 0,5		LTRN080GR
0,5 ±3	>3± 6	>6± 30	>30± 120	>120 ±400	>400± 1000	>1000 ±2000	>2000 ±4000
±0,1	±0,1	±0,2	±0,3	±0,5	±0,8	±1,2	±2
		Date	Name	Drawing No.	Sheet	<i>Secret and confidential - All rights reserved - No copy, dissemination or circulation is allowed unless specifically authorized in writing by OPTO ENGINEERING S.r.l. - Any violation shall be legally prosecuted.</i>	
Designed 18/12/2014 Rodella Drawn 18/12/2014 Rodella Checked		Date	Name	DP 23461 -A	1/1	OPTO ENGINEERING S.r.l. - Mantova Italy - Tel. +39 0376 699111 - www.opto-engineering.com	

all dimensions are in mm